



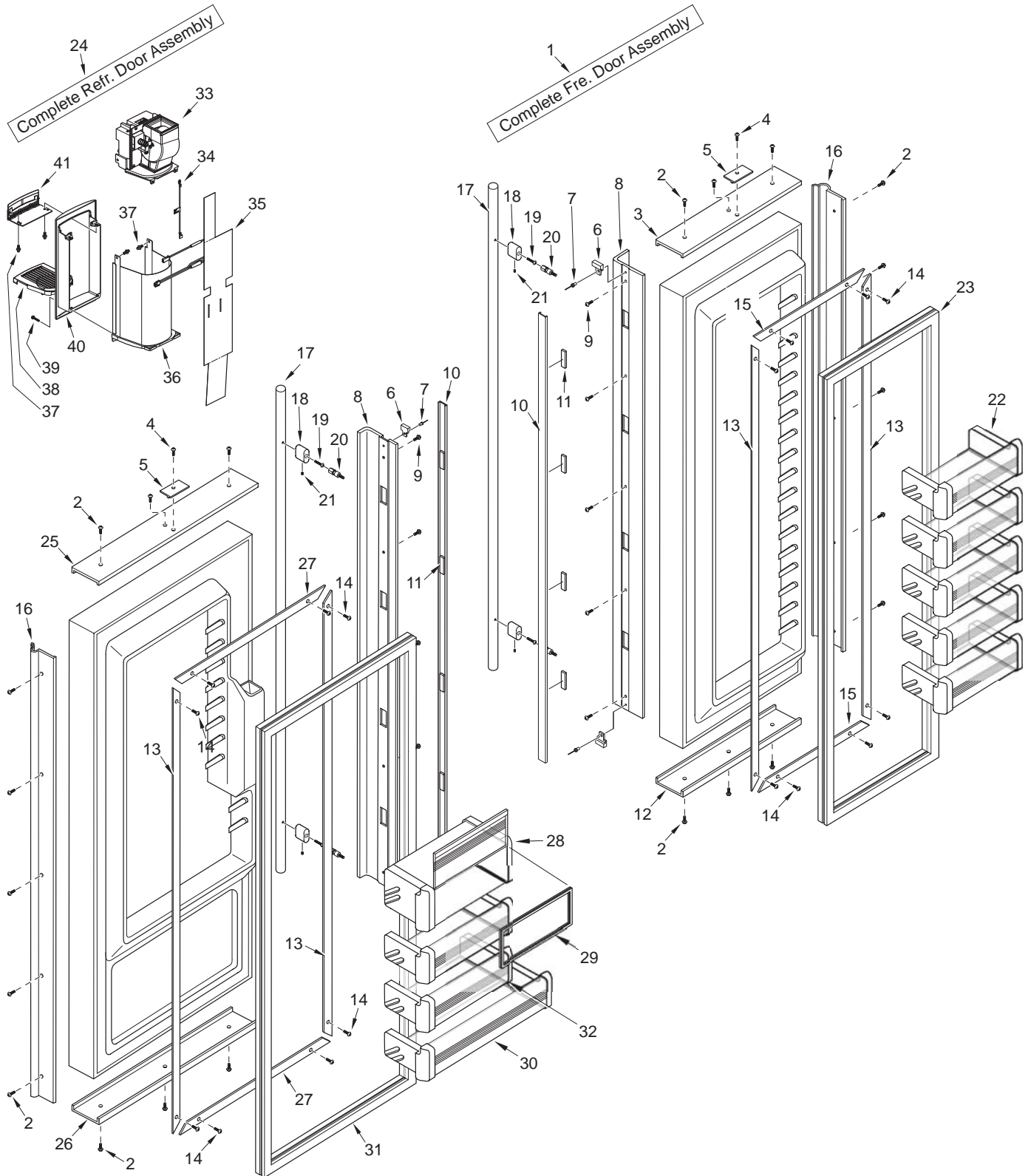
695-2 DOOR PARTS LIST (Prior to Serial #M2275455/P2269189)

Ref #	Part #	Description
1	4132905	Freezer Door Assy, Frame/Overlay
	4134565	Door Assy, SRVC, Fre, SS
NOTE: Freezer door assy's do NOT incl. hinges or handle.		
2	6200720	Screw, #8-18 x 1/2 PH Truss HD
3	2230603	Door Trim, Top; Freezer
4	6200720	Screw, #8-18 x 1/2 PH Truss HD
5	4200940	Switch Depressor (Includes Screw)
6	3413340	Handle/Trim End Cap
7	6180160	Rivet, Open End Blind, 1/8" X 3/16"
8	4132220	Door Handle Assembly (Framed)
	4132320	Handle-Side Door Trim (Overlay)
9	6201300	Tapping Screw, #8 x 1/2"
10	4131860	Handle/Trim Molding Assembly
11	3451140	Magnet, Trim Strip - 3"
12	2230604	Door Trim, Bottom; Freezer
13	3420260	Gasket Retainer, 66.875"
14	6200410	Screw, #8 x 1/2" Slot Head Hex
15	3420140	Gasket Retainer, 16.125"
16	3511131	Door Trim, Hinge Side - Mitered Corner
	3511130	Door Trim, Hinge Side - (SS Model)
17	4133730	Handle Assy, SS OBR Standoffs
18	3512150	Standoff, SS Oval
19	6110720	Bolt #10-24X1/2 Socket HD Cap
20	3511520	Handle Mounting Stud
21	6110730	Set Screw #10-32 X 1/4 SS Cone

Ref #	Part #	Description
22	4330660	Fre Door Shelf Assy
23	3212090	Door Gasket, Fre
24	4135153	Door Assy, SRVC Ref 695 Frmd/Olay
	4135165	Door Assy, SRVC Ref 695 Stainless Steel
NOTE: Refrig. Door Assy's incl. top hinge assy & dispenser assy; Do NOT incl. bot hinge, handle, bezel or grille.		
25	2230601	Door Trim, Top; Refrigerator
26	2230602	Door Trim, Bottom; Refrigerator
27	3420200	Gasket Retainer, 27.062"
28	4330600	Dairy Compartment Assembly
29	3211840	Dairy Compartment Gasket
30	4330470	Refrig. Door Shelf Assembly (Regular)
	4330520	Gallon Door Shelf Assy (Sales Acc.)
31	3212110	Door Gasket, Refrigerator
32	4330590	Upper Refrig. Door Shelf Assembly
33	4204291	PCKG, Dispenser Assy
34	3021480	Wiring Harness, Ground
35	3070390	Heater, Glasswell
36	4204294	PCKG, Glasswell Liner/Sump
37	6180330	Rivet, Plastic 1/4 DIA
38	3414250	Grille, Glasswell
39	6201630	Screw, #8-16 X 1 SS (SS Units)
	6201640	Screw, #8-16 X 1-1/2 SS (Frmd/Olay)
40	4204293	PCKG, Dispenser Bezel/S
41	4204292	PCKG, Dispenser Control Panel



695-2 DOOR VIEW (Prior to Serial #M2275455/P2269189)

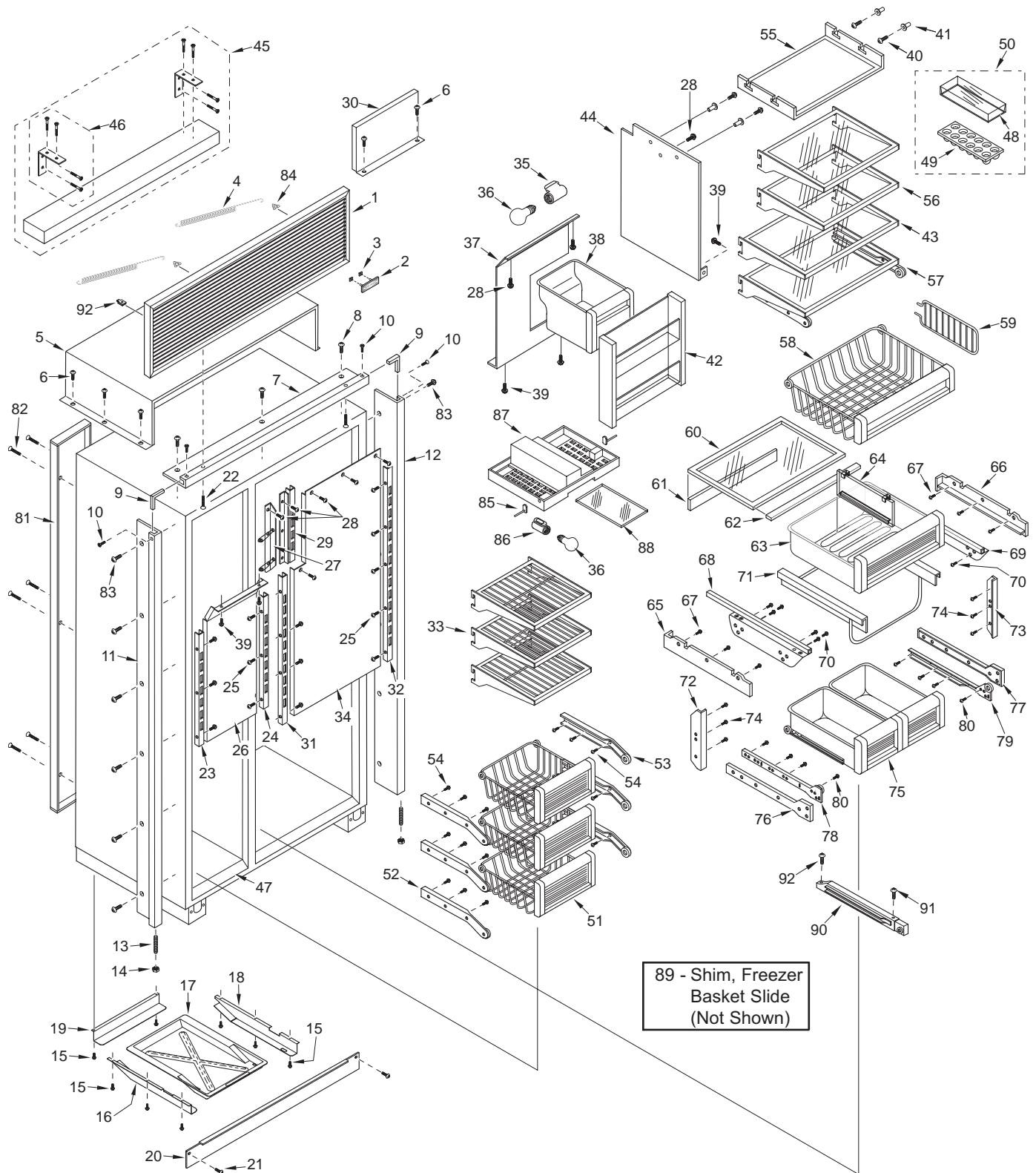


695-2 COSMETIC PARTS LIST (Prior to Serial #M2275455/P2269189)

<u>Ref #</u>	<u>Part #</u>	<u>Description</u>	<u>Ref #</u>	<u>Part #</u>	<u>Description</u>
1	6LG4811	Louvered Grille Assembly, 48" x 11"	45	4201330	Blocking Components; 48"
	6PG4811	Panel Grille Assembly, 48" x 11"	46	4201340	Blocking Hardware Package
	6SG4811/S	SS Grille, 48X11-CLSIC	47	4203910	Patch, Fre Face Frm Sill
2	3580230	Nameplate w/ Pegs	48	3412280	Egg Tray Cover
	3580210	Name Plate, Stick-on	49	3412270	Egg Tray
3	6150140	Spring Grip Nut, 1/8"	50	4131810	Egg Tray with Cover
4	3450900	Grille Spring	51	4181820	Freezer Basket Assy
5	4281080	Unit Shroud Assembly	52	4181842	Fre Bskt Slide Assy-LH
6	6200230	Screw, #8-18 x 1/2" Hex Head	53	4181841	Fre Bskt Slide Assy-RH
7	2234025	Frame, Main Top 48	54	6200450	Screw, #8 x 1" Type AR Flat
8	6200010	Screw, #10-12 x 3/4" Pan HD	55	4161580	Refrig. Light Diffuser Assembly
9	2210701	Main Frame Angle	56	3602050	Glass Shelf, Refrig Upper, Spill Proof
10	6200070	Screw, #4-24 x 3/8" Flat HD	57	4181560	Refrig. Roll-out Shelf Assy
11	4120870	Frame Assy, Main Left-LH	58	4181540	Refrig. Roll-out Basket Assy
12	4120860	Frame Assy, Main Rt-RH	59	3411160	Ref Roll-Out Bskt Divider
13	3550190	Bottom Hinge Stud	60	4151770	Crisper Glass Assembly (Incl Seals)
14	6150200	Nut, 1/4-20 Hex	61	3211770	Crisper Glass Seal, Rear
15	6200010	Screw, #10-12 x 3/4" Pan HD	62	3211740	Crisper Glass Seal, Front
16	0262010	Support, Drain Pan, LH	63	4181460	High Humidity Drawer Assembly
17	2120121	Pan, Drain Vac Form	64	3413100	Drawer Divider
18	0262000	Support, Drain Pan, RH	65	3421711	Top Crspr Glass Support, Narrow-RH
19	0262020	Support, Drain Pan, Rear	66	3421721	Top Crisper glass Support, Wide-RH
20	0260150	Kickplate, Black-Solid	67	6201130	Screw, #8x 1/2" PH FL HD SS
	0167810	Kickplate, Stainless Steel	68	4181421	Top Crisper Slide Assy, Narrow-RH
21	6200050	Screw, #10-12 Pan Hd	69	4181411	Top Crisper Slide Assembly, Wide-RH
	6200720	Screw, #8-18x1/2 Ph Tr Hd (SS Model)	70	6201270	Screw, #8-18 x 5/8" PH PN SS-Gnd
22	6201310	Screw, #8 x 1-3/4" Flat PH HD	71	3421760	Humidity Drawer Slide-Frame
23	3602230	Fre Shelf Ladder, Left	72	3421732	Crisper Filler Strip, Wide
24	3602220	Fre Shelf Ladder, Right	73	3421731	Crisper Filler Strip, Narrow
25	6200710	Screw, #8-18 x 3/8" Fillister HD	74	6201270	Screw, #8-18 x 5/8" PH PN SS-Gnd
26	0201180	Freezer Duct	75	4181490	Small Storage Drawer Assembly
27	4151400	Tank Cover Bracket Assembly	76	3421691	Bott Crisper Slide Support, Narrow
28	6201270	Screw, #8-18 x 5/8" PH PN SS-Gnd	77	3421692	Bott Crisper Slide Support, Wide
29	4151410	Refrig. Upper Left Shelf Ladder Assy	78	3413112	Bot Crisper Slide, Cabinet - Left
30	4280950	Compsr. Shroud Assy	79	3413111	Bot Crisper Slide, Cabinet - Right
31	3602060	Refrig. Shelf Ladder, Lower Left	80	6201230	Screw, #8 x 7/8" w/a #7 PH FT Head
32	3601811	Refrig. Shelf Ladder, Right	81	0261640	Duct, Back
33	3602200	Freezer Wire Shelf	82	6201060	Screw, #8x1-1/4" PH FLAT TAP
34	0201170	Refrigerator Evaporator Cover	83	6201550	Screw, #8-18 Lw Prfl
35	3050230	Socket, Light Med Base Sngl	84	3450520	Grille Hook
36	3030030	Light Bulb, 40 Watt	85	3550620	Snap Pin
37	4161590	Light Assy, Fre Evap Frnt	86	3050230	Socket, Light Med Base
38	4181180	Ice Bucket Assy	87	4151890	Cover Assy, Lwr Evap
39	6200140	Screw, #8-15 x 3/8" Truss HD	88	3500610	Freezer Lower Light Diffuser
40	6201330	Screw, #8-18 x 5/8" PH PN SS-Gnd	89	2121120	Shim, Fre Basket Slide
41	3520420	Insert / Diffuser Stand-off	90	4181430	Center Crisper Slide Assembly
42	4181880	Juice Can Rack Assy	91	6201120	Screw, #8-18 x 1.75 Truss SS
43	3601891	Glass Shelf, Spill Proof	92	6201130	Screw, #8x 1/2" PH FL HD SS
44	0212420	Cover, Water Tank			



695-2 COSMETIC VIEW (Prior to Serial #M2275455/P2269189)

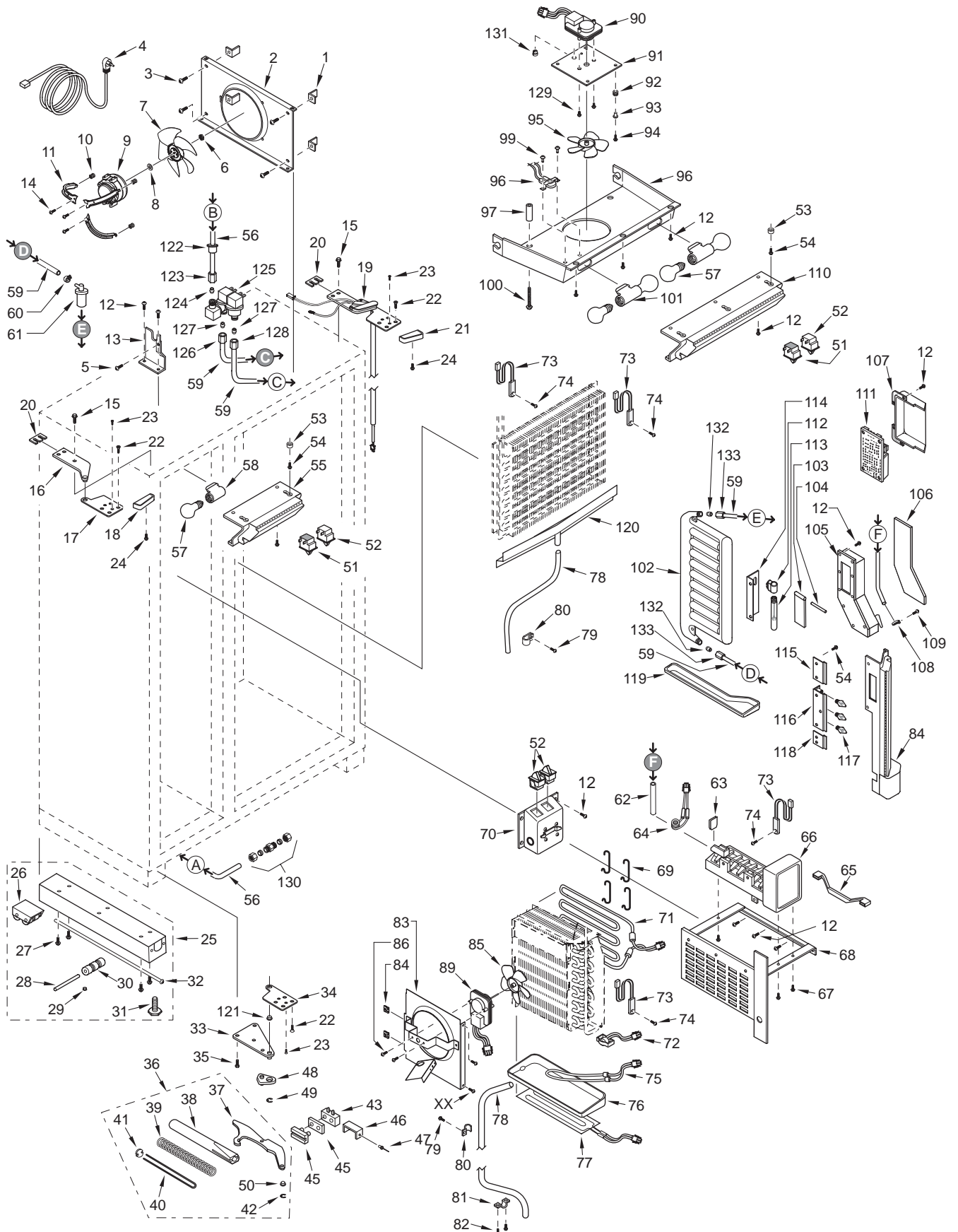


695-2 MECHANICAL PARTS LIST (Prior to Serial #M2275455/P2269189)

Ref #	Part #	Description	Ref #	Part #	Description
1	3450290	Angle Bracket	65	3140400	Icemaker Rudder Arm
2	0261210	Shroud, Cond Fan	66	4200522	Icemaker Assembly
3	6200010	Screw, #10-12 x 3/4" Pan HD	67	6201000	Screw #8-32X3/8 Thread Forming
4	3025560	Cord Assy, Power Supply	68	4203750	Kit, 690 Mainframe
5	6200060	Screw, #8-32 x 1/2" Pan HD	69	1801100	Heater Clip
6	6150410	Nut, 1/4-20	70	4220420	Auger Motor Assy (Incl motor & switches)
7	3150800	Blade, Condenser Forward-SW	71	3070100	Defrost Heater Assy
8	3210340	Neoprene Silencer, 7/8"	72	3082060	Defrost Terminator
9	4200740	Motor Pkg, Cond Fan (blade not incl.)	73	4204150	Thermistor, ASM Srvc Pkg
10	3220360	Grommet, Mtg Brkt	74	6201270	Screw, #8-18 x 5/8" PH PN SS-Gnd
11	0261150	Brkt, Cond Mounting (3)	75	3070170	Drain Tube Heater
12	6201270	Screw, #8-18 x 5/8" PH PN SS-Gnd	76	4190290	Fre Drain Trough Assy
13	0167830	Solenoid Bracket	77	3013710	Freezer Drain Trough Heater Assy
14	6200490	Screw, #8-32 x 3/8" Slotted Hex T25	78	1601400	Drain Tube, Wire - 1/2" x 72"
15	6110070	Bolt, 1/4-20x3/4 Spinlock Zinc	79	6200010	Screw, #10-12 x 3/4" Pan HD
16	4151272	Cabinet Hinge Assy, Upper LH	80	6120050	Tube Clamp, Plastic, 5/8"
17	4151472	Door Hinge Assy, Top LH	81	6120210	U-Clamp, 5/8"
18	3541018	Top Cabinet Hinge Cover, LH	82	6200010	Screw, #10-12 x 3/4" Pan HD
19	4325070	W/H,Ref Door Hinge	83	4281350	Shroud Assy, SRVC
20	0168680	Shim - Hinge	84	4161463	Vertical Cntrl Pnl Assy
21	3541017	Top Cabinet Hinge Cover, RH	85	3150060	Blade, Fan 5-Prop 5-1/2"
22	6110540	Bolt, #10-24 x 1/2" Flat Socket HD	86	6200060	Screw, #8-32 x 1/2" Pan HD
23	6200390	Screw, #6 x 3/8" T25 Flat Head PH	87	NA	
24	6200140	Screw, #8-15 x 3/8" Truss HD	88	NA	
25	4110353	Base Assy (w/rollers)	89	4200160	Freezer Fan Mtr Cmpnts (Blade not Incl.)
26	4110331	Base Rear Roller Assy	90	4200170	Refrig. Fan Mtr Cmpnts (Blade not Incl.)
27	6200010	Screw, #10-12 x 3/4" Pan HD	91	0211620	Refrig Fan Bracket
28	3550560	Straight Pin, Base Assy - .312" x 2.88"	92	3220250	Grommet, Rubber-M5351
29	3450620	Canoe Clip	93	3520410	Brass Insert, Fan
30	3421240	Cabinet Roller (Single)	94	6110270	Bolt, #10-32 x 1/4" RD HD
31	3570050	Leveling Leg, #18-3/8 x 1"	95	3150640	Fan blade, Ref/Fre Evap.
32	6110580	Adjusting Screw	96	4161570	Refrig. Fan Shroud Assy
33	4151281	Cabinet Hinge Assy, Lower RH	97	6220540	Screw Grommet / Stand-off
	4151282	Cabinet Hinge Assy, Lower LH	98	3082140	Light Terminator
34	4151241	Door Hinge, Bottom RH	99	6180010	Pop Rivet, 1/8"
	4151242	Door Hinge, Bottom LH	100	6201010	Screw, #8-15 x 2" Pan Head
35	6110070	Bolt, 1/4-20x3/4 Spinlock Zinc	101	3050250	Sckt, Light M Base Dbl
36	4201111	Door Closer Assy, RH	102	4181710	Water Resrvr Tank Assy (Incl water lines)
	4201112	Door Closer Assy, LH	103	3515940	Mullion Chute Door
37	NA	See 4201111, 1112, 1115 or 1116	104	3421360	Chute Door Rod
38	NA	See 4201111, 1112, 1115 or 1116	105	4181230	Ice Chute/Water Nozzle Assembly
39	3450530	Door Closer Spring	106	3411530	Ice Chute Cover
	3450710	Low-Pull Door Closer Spring	107	3413810	Control Enclosure
40	3421290	Door Closer Linkage	108	6120120	Tube Clamp, 3/8" Stl w/nut
41	0165980	Door Closer Spring Retainer	109	6200330	Screw, #8-18 x 3/8" Pan Head
42	3421260	Door Closer Bearing	110	4162941	Front Assy, Ref
43	3450570	Door Closer Cushion	111	4204280	Cntrl Board, Dual Dispense
44	0165970	Door Closer Guide Support	112	3050220	Socket, Light Base Sngl
45	3421310	Door Closer Guide	113	3030040	Light Bulb, Long/Narrow; 40 watt
46	0166360	Door Stop Cushion Retainer	114	0212790	Bracket, Display Light
47	6180010	Pop Rivet, 1/8"	115	0212270	Control Panel Retainer, Upper
48	DS90	Door Stop-90 Degree	116	0212280	Control Panel Retainer, Mid
	DS105	Door Stop-105 Degree	117	3030070	Light Bulb, 7W
49	3450560	E-Ring, 7/16"	118	0212290	Control Panel Retainer, Lower
50	3450550	E-Ring / Klipping , 5/16"	119	0212960	Mullion Trough
51	3060140	SPST Light Switch (White)	120	0260550	Drain Trough Assembly
52	3060130	SPST Fan/Icemaker Switch (White)	121	3421270	Hinge Bearing, 3/8" x 5/8"
53	6160240	Nylon Spacer	122	3024010	Heat Shrink/Spray Cvr (Also order 6120180)
54	6200720	Screw, #8-18 x 1/2 PH Truss HD	123	3520390	Compression Fitting
55	4162921	Front Assy, Fre	124	3520390	Compression Fitting
56	2604163	Water Inlet Line, Copper	125	3090280	Dual Water Valve
57	3030030	Light Bulb, 40 Watt	126	3520380	Compression Nut
58	3050230	Socket, Light Med Base Sngl	127	3520050	Brass Insert, Solenoid
59	2600617	Plastic Water Line	128	3520390	Compression Fitting
60	6220470	Fill Tube Clamp	129	6110270	Bolt, #10-32 x 1/4" RD HD
61	1607700	Water Inlet Tube	130	3520250	Water Inlet Fitting Assy
62	2605411	Water inlet Tube extension, 2.06"	131	3220300	Bushing, Strain Relief RT Angle
63	3140360	Fill Cup Plug	132	3520050	Brass Insert, Solenoid
64	3070210	Fill Tube Heater	133	3520340	Water Tank Compression Nut



695-2 MECHANICAL VIEW (Prior to Serial #M2275455/P2269189)



695-2 SEALED SYSTEM PARTS LIST (Prior to Serial #M2275455/P2269189)

<u>Ref #</u>	<u>Part #</u>	<u>Description</u>
1	4202280	Compressor, Freezer (EMI60HER)
2	3111460	Relay, (1351408) (Used with EMI60HER Compressor)
	3111470	Overload, (4TM757NFB) (Used with EMI60HER Compressor)
3	4251530	Heat Exchanger, Freezer
4	4201880	Compressor, Refrig. (EMI30HER)
5	3111370	Relay, (1351400 - For EMI30HER Comp)
	3111410	Overload, (4TM734LFB - For EMI30HER Comp)
6	4251300	Heat Exchanger, Refrigerator
7	3120330	Condenser, Dual
8	3014230	Filter-Drier, High Side
9	6120170	Locking Cable Tie, Red, 11-1/2"
10	0168040	Drier Bracket
11	6201270	Screw, #8-18 x 5/8" PH PN SS-Gnd
12	4203880	Evap Assy, Fre (INCL: Heat Exchanger & Electricals)
13	NA	
14	6201270	Screw, #8-18 x 5/8" PH PN SS-Gnd
15	3130260	Evaporator, Refrig.
16	6201270	Screw, #8-18 x 5/8" PH PN SS-Gnd
17	2600138	Drain Pan Heater Loop
18	3421410	Drain Pan Heater Loop Support
19	6200010	Screw, #10-12 x 3/4" Pan HD
20	6200010	Screw, #10-12 x 3/4" Pan HD
21	6150220	Nut, 5/16-18 Hex Zinc
22	6240050	Flat Washer, 5/16"
23	3150010	Rubber Grommet, Small, 5/8"
	3150170	Rubber Grommet, Large, 15/16"
24	6160030	Spacer, 5/16 x 7/16 x 5/8"
	6160070	Sleeve, 5/16 x 7/16 x 7/8"
25	3014100	Suction Line Drier (Service Only)



695-2 SEALED SYSTEM VIEW

(Prior to Serial #M2275455/P2269189)

