

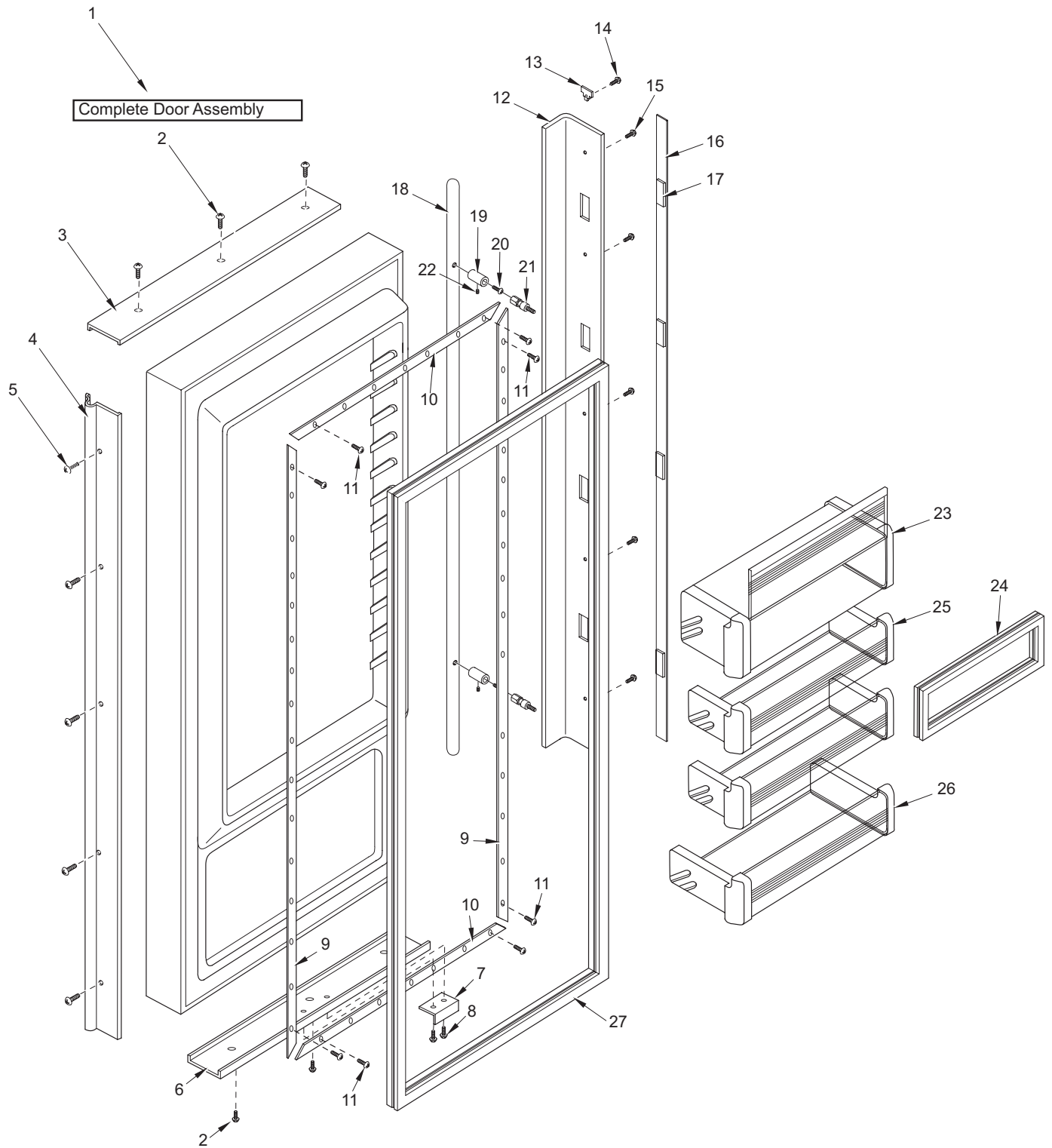
SECTION 8

PARTS LISTS
&
EXPLODED VIEWS

601R DOOR PARTS LIST

<u>Ref #</u>	<u>Part #</u>	<u>Description</u>
1	4134353	Refrig. Door Assy, Frame/Overlay - RH
	4134354	Refrig. Door Assy, Frame/Overlay - LH
	4134503	Refrig. Door Assy, SS - RH
	4134504	Refrig. Door Assy, SS - LH
2	6200720	Screw, #8-18 x 1/2 Ph Truss Hd
3	2230608	Door Trim, Top LH
	2230609	Door Trim, Top RH
4	3511310	Door Trim, Hinge Side - Mitered Corner
	3511410	Door Trim, Hinge Side - (SS Model)
5	6200720	Screw, #8-18 x 1/2 Ph Truss Hd
6	2230606	Door Trim, Bottom LH
	2230607	Door Trim, Bottom RH
7	0180281	Switch Depressor, White
8	6201300	Tapping Screw, #8 x 1/2
9	3420250	Gasket Retainer, Side, 57.875
10	3420220	Gasket Retainer, 33.312"
11	6200410	Screw, #8 x 1/2 Slot Head Hex
12	4132230	Door Handle Assy (Framed)
	4132330	Handle-side Door Trim (Overlay)
13	3413340	Handle/Trim End Cap
14	6180160	Rivet, Open End Blind, 1/8 X 3/16
15	6201300	Tapping Screw, #8 x 1/2
16	4132370	Handle/Trim Molding Assy
17	3451000	Magnet, Trim Strip - 3"
18	4132410	Handle Assy, Round (Incl. Stand-offs) (See SN Breaks)
	4133510	Handle Assy, Blunt (Incl. Stand-offs) (See SN Breaks)
	4133690	Handle Assy, SS OBR Standoffs (Incl. Stand-offs) (See SN Breaks)
19	3511320	Handle Stand-off 1" D (See SN Breaks)
	3512150	Standoff, SS Oval, Door (See SN Breaks)
20	6110540	Bolt, #10-24 x 1/2 Flat Socket HD
21	3511520	Handle Mounting Stud
22	6110730	Set Screw #10-32 x 1/4 SS Cone
23	4330490	Dairy Compartment Assy (Incl Gasket)
24	3211820	Dairy Compartment Gasket
25	4330480	Door Shelf Assy
26	4330530	Gallon Door Shelf Assy (Sales Acc.)
27	3212100	Door Gasket

601R DOOR VIEW

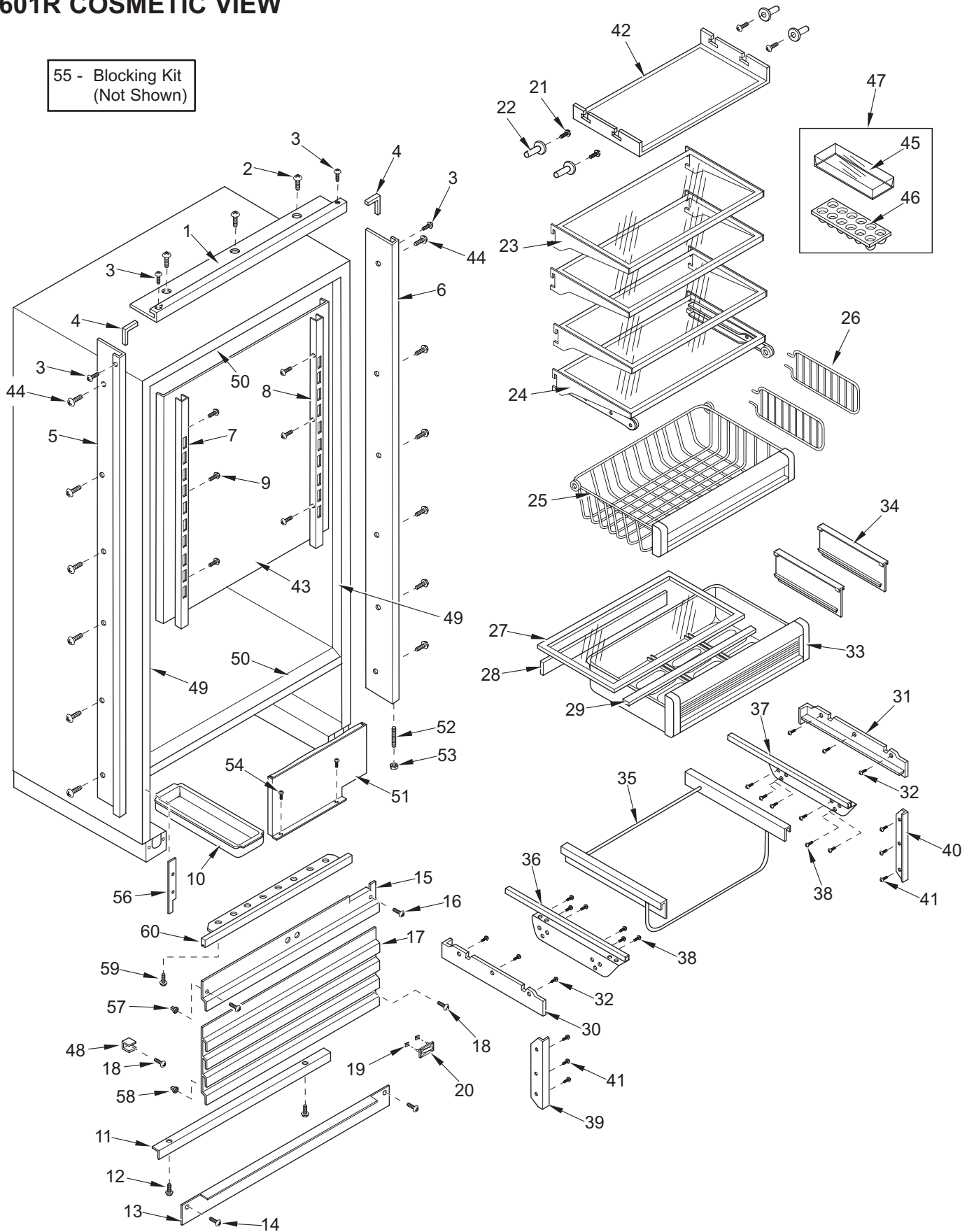


601R COSMETIC PARTS LIST

Ref #	Part #	Description	Ref #	Part #	Description
1	2229616	Main Frame, Top-RH (See SN Breaks)	21	6201330	Screw, #8 PH-Pan Head 1"
	2229637	Main Frame, Top-RH (See SN Breaks)	22	3520420	Insert / Diffuser Stand-off
	2234015	Frame, Main Top-RH (See SN Breaks)	23	3601901	Glass Shelf, Spill Proof
	2229617	Main Frame, Top-LH (See SN Breaks)	24	4181620	Refrig. Roll-out Shelf Assy
	2229640	Main Frame, Top-LH (See SN Breaks)	25	4181520	Refrig. Roll-Out Basket Assy
	2234015	Frame, Main Top-LH (See SN Breaks)	26	3411160	Refrig. Roll-Out Basket Divider
2	6200010	Screw, #10-12 x 3/4 Pan HD	27	4151750	Crisper Glass Assy (Incl. Seals)
3	6200070	Screw, #4-24 x 3/8" Flat HD.	28	3211760	Crisper Glass Seal, Rear
4	2210701	Main Frame Angle	29	3211730	Crisper Glass Seal, Front
5	2229603	Main Frame, Left-RH (See SN Breaks)	30	3421711	Top Crspr Glass Support, Narrow-RH
	2229636	Main Frame, Left-RH (See SN Breaks)		3421722	Top Crisper glass Support, Wide-LH
	2234004	Frame, Main Left-RH (See SN Breaks)	31	3421712	Top Crisper Glass Support, Narrow-LH
	2229619	Main Frame, Left-LH (See SN Breaks)		3421721	Top Crisper Glass Support, Wide-RH
	2229641	Main Frame, Left-LH (See SN Breaks)	32	6201130	Screw, #8x 1/2 Ph Fl Hd SS
	2234005	Frame, Main Left-LH (See SN Breaks)	33	4181440	High Humidity Drawer Assy
6	2229618	Main Frame,Right-RH(See SN Breaks)	34	3413100	Drawer Divider
	2229638	Main Frame,Right-RH(See SN Breaks)	35	3421770	Humidity Drawer Slide-Frame
	2234003	Frame,Main Right-RH(See SN Breaks)	36	4181412	Top Crisper Slide Assy, Wide-LH
	2229602	Main Frame,Right-LH (See SN Breaks)		4181421	Top Crisper Slide Assy, Narrow-RH
	2229639	Main Frame,Right-LH (See SN Breaks)	37	4181411	Top Crisper Slide Assembly, Wide-RH
	2234006	Frame,Main Side-LH (See SN Breaks)		4181422	Top Crisper Slide Assy, Narrow-LH
7	3601832	Shelf Ladder, Left	38	6201270	Screw, #8-18 x 5/8 Ph Pn SS-Gnd
8	3601831	Shelf Ladder, Right	39	3421741	Crisper Filler Strip, Narrow (if RH)
9	6200710	Screw, #8-18 x 3/8 Fillister HD		3421742	Crisper Filler Strip, Wide (if LH)
10	0166110	Drain Pan	40	3421741	Crisper Filler Strip, Narrow (if LH)
11	0169790	Front Rail		3421742	Crisper Filler Strip, Wide (if RH)
12	6110020	Bolt, #10-24 x 3/8 Truss HD	41	6201270	Screw, #8-18 x 5/8 Ph Pn SS-Gnd
13	0169520	Kickplate	42	4161870	Refrig. Light Diffuser Assy
	0167820	Kickplate, Stainless Steel	43	0201240	Evaporator Cover
14	6200050	Screw, #10-12 Pan Hd	44	6200210	Screw, #8-32 Flt hD (See SN Breaks)
	6200720	Screw, #8-18x1/2 Ph Tr Hd (SS Model)		6201550	Screw, #8-18 Lw Prfl (See SN Breaks)
15	2232001	Upper Grille - RH (See SN Breaks)	45	3412280	Egg Tray Cover
	2233901	Upper Grille - RH	46	3412270	Egg Tray
		- Framed / Overlay (See SN Breaks)	47	4131810	Egg Tray with Cover
		- SS (See SN Breaks)	48	3450910	Clip, Grille (SS Model)
	0261281	Cover, Grille RH (SS) (See SN Breaks)	49	2811207	Breaker Strip, Side (See SN Breaks)
	2232002	Upper Grille - LH (See SN Breaks)	50	2811206	Braker Strip, Top/Bot (See SN Breaks)
	2233902	Upper Grille - LH	51	4280860	Compressor Shroud (See SN Breaks)
		- Framed / Overlay (See SN Breaks)		4281060	Shroud Assy, Comp (See SN Breaks)
		- SS (See SN Breaks)	52	3550190	Bottom Hinge Stud
	0261282	Cover, Grille LH (SS) (See SN Breaks)	53	6150200	Nut, 1/4-20 Hex
16	6200720	Screw, #8-18 x 1/2 PH Truss HD	54	6201270	Screw, #8-18 x 5/8" PH PN SS-Gnd
17	4242250	Lwr Grille Section (Framed / Overlay)	55	4201320	Blocking Kit, 36" (Not Shown)
	4241740	Lwr Grille Sectn (SS) (See SN Breaks)	56	3580882	Grille, Spacer LH (See SN Breaks)
	4242380	Grille Assy, SS (See SN Breaks)		3580881	Grille, Spacer RH (See SN Breaks)
18	6200790	Screw, #8-18 Black	57	6220320	Screw Grmt (See SN Breaks)
19	6150140	Spring Grip Nut, 1/8	58	6220050	Screw Grmt, 1/2X5/8 (See SN Breaks)
20	3580210	Name Plate, Stick-on	59	6201550	Screw, #8-1/8 Low Profile
	3580230	Name Plate w/ Pegs	60	3516670	Trim, Grille Cover (SS)

601R COSMETIC VIEW

55 - Blocking Kit
(Not Shown)

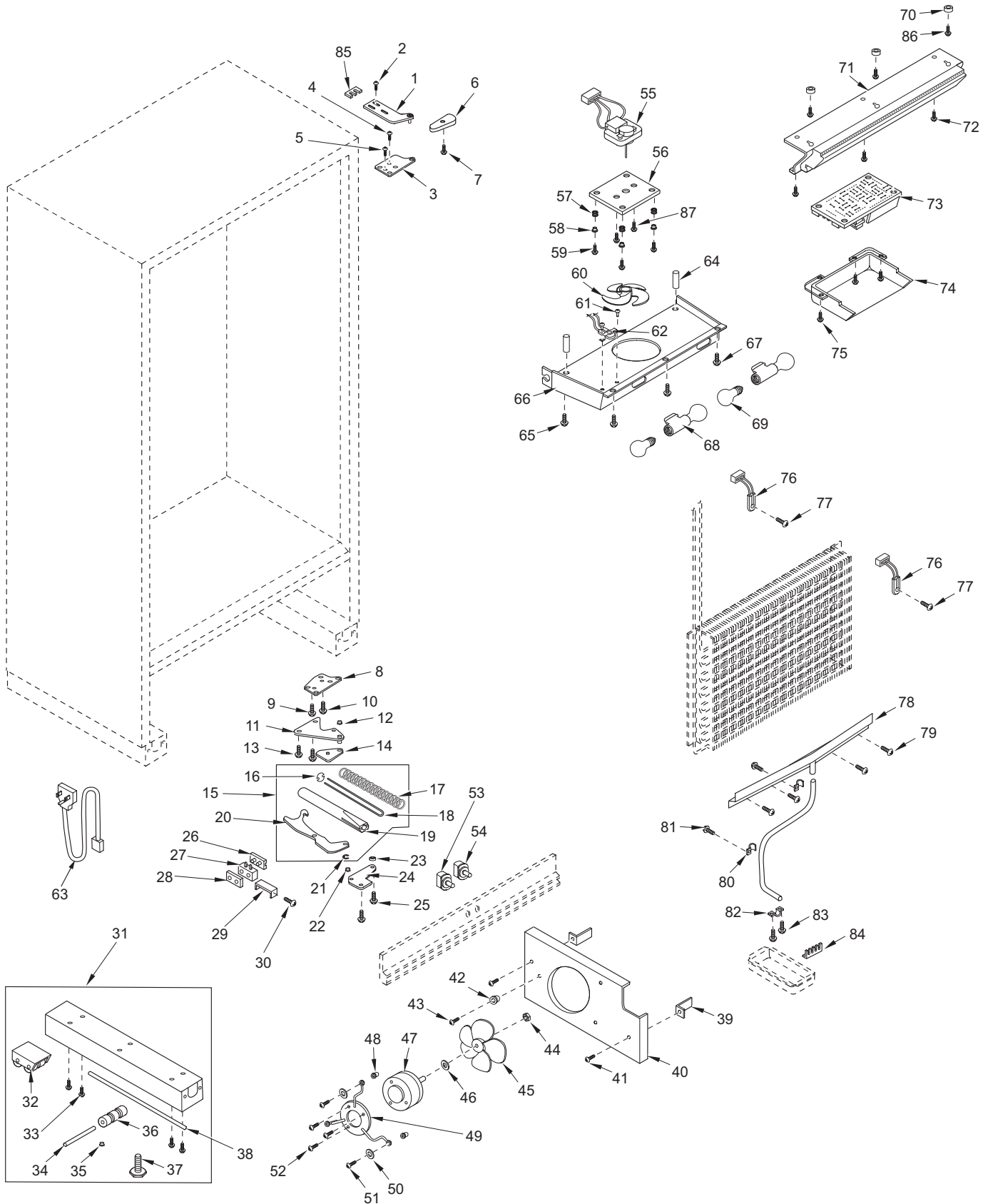




601R MECHANICAL PARTS LIST

Ref #	Part #	Description	Ref #	Part #	Description
1	4151271	Cabinet Hinge Assy, Upper RH	43	6200450	Screw, #8 x 1" Type AR Flat
	4151272	Cabinet Hinge Assy, Upper LH	44	6150410	Nut, 1/4-20
2	6110070	Bolt, 1/4-20 x 3/4" Spinlock Zinc	45	3150320	Fan Blade, Cond -5 prop
3	4151471	Door Hinge Assy, Top RH	46	3210340	Neoprene Silencer, 7/8"
	4151472	Door Hinge Assy, Top LH	47	4200740	Motor Pkg, Cond Fan (blade not incl.)
4	6110540	Bolt, #10-24 x 1/2" Flat Socket HD	48	6150330	Well Nut, .75D x .804", #10-32
5	6200390	Screw, #6 x 3/8" T25 Flat Head PH	49	3150650	Condenser Fan Bracket
6	3541017	Top Cabinet Hinge Cover, RH	50	6240350	Fender Washer, .25x1.25x.06
	3541018	Top Cabinet Hinge Cover, LH	51	6201280	Machine Screw, #10-32 x 1-1/4"
7	6200140	Screw, #8-15 x 3/8" Truss HD	52	6200490	Screw, #8-32 x 3/8" Slotted Hex T25
8	4151241	Door Hinge, Bottom RH	53	3060030	Light Switch, N/C
	4151242	Door Hinge, Bottom LH	54	3060020	Fan Switch, N/O
9	6110540	Bolt, #10-24 x 1/2" Flat Socket HD	55	4200170	Ref Fan Motor Pkg. (blade not incl.)
10	6200390	Screw, #6 x 3/8" T25 Flat Head PH	56	0211620	Refrigerator Fan Bracket
11	4151871	Bottom Cabinet Hinge Assembly - RH	57	3220250	Grommet, Rubber-M5351
	4151872	Bottom Cabinet Hinge Assembly - LH	58	3520410	Brass Insert, Fan
12	3421270	Hinge Bearing, 3/8" x 5/8"	59	6200130	Screw, #8-18 x 3/4" Truss HD
13	6110070	Bolt, 1/4-20 x 3/4" Spinlock Zinc	60	3150640	Fan Blade, Evaporator
14	DS90	Door Stop-90 Degree	61	6180010	Pop Rivet, 1/8"
	DS105	Door Stop-105 Degree	62	3082140	Light Terminator
15	4201113	Door Closer Assembly, RH	63	4321820	Power Cord
	4201114	Door Closer Assembly, LH	64	6220540	Screw Grommet/Stand-off, 1.375
16	0165980	Door Closer Spring Retainer	65	6201010	Screw, #8-15 x 2" Pan Head
17	3450530	Door Closer Spring	66	4161820	Refrig. Fan Shroud Assembly
	3450710	Low Pull Spring	67	6201270	Screw, #8-18 x 5/8" PH PN SS-Gnd
18	3421290	Door Closer Linkage	68	3050180	Light Socket, Double (See SN breaks)
19	3421300	Door Closer Housing		3050250	Skt, Light MBase Dbl (See SN breaks)
20	0183110	Door Closer Arm	69	3030030	Light Bulb, 40 Watt
21	3450550	E-Ring / Klipring , 5/16"	70	6160240	Nylon Spacer
22	3421260	Door Closer Bearing	71	4160792	Control Panel Assy (See SN Breaks)
23	6160220	Steel Spacer		4161662	Control Panel Assy (See SN Breaks)
24	0183960	Cabinet Hinge Stiffener	72	6201270	Screw, #8-18 x 5/8" PH PN SS-Gnd
25	6110450	Bolt, 1/4-20 x 1/2" Whiz Lock	73	4202802	Control Board (See SN Breaks)
26	3450570	Door Closer Cushion		4203520	Control Board (See SN Breaks)
27	0165970	Door Closer Guide Support	74	3412790	Control Board Encl (See SN Breaks)
28	3421310	Door Closer Guide		3413940	Control Board Encl (See SN Breaks)
29	0166360	Door Closer Cushion Retainer	75	6201270	Screw, #8-18 x 5/8" PH PN SS-Gnd
30	6180010	Pop Rivet, 1/8"	76	3014350	Thermistor
31	4110353	Base Assy (w/rollers)	77	6201270	Screw, #8-18 x 5/8" PH PN SS-Gnd
32	4110331	Base Rear Roller Assy	78	4190150	Drain Trough Assy (See SN Breaks)
33	6200010	Screw, #10-12 x 3/4" Pan HD		0260540	Drain Trough Assy (See SN Breaks)
34	3550560	Straight Pin, Base Assy - .312" x 2.88"	79	6201270	Screw, #8-18 x 5/8" PH PN SS-Gnd
35	3450620	Canoe Clip	80	6120050	Tube Clamp, Plastic, 5/8"
36	3421240	Cabinet Roller	81	6200010	Screw, #10-12 x 3/4" Pan HD
37	3570050	Leveling Leg, #18-3/8 x 1"	82	6120210	U-Clamp, 5/8"
38	6110580	Adjusting Screw	83	6200010	Screw, #10-12 x 3/4" Pan HD
39	3450290	Angle Bracket	84	3421430	Pan Heater Support
40	0260140	Cond. Fan Shroud (See SN Breaks)	85	0168680	Shim - Hinge
	0168070	Cond. Fan Shroud (See SN Breaks)	86	6200720	Screw, #8-18 x 1/2 PH Truss HD
41	6200010	Screw, #10-12 x 3/4" Pan HD	87	6110270	Bolt, #10-32 x 1/4" RD HD
42	3420670	Screw Spacer			

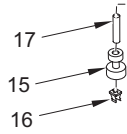
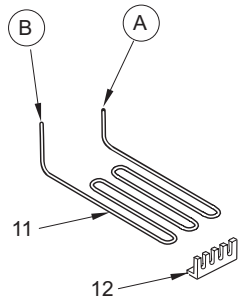
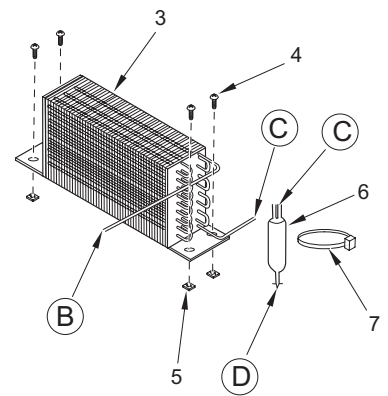
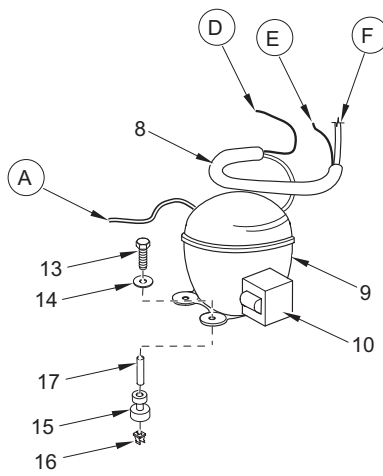
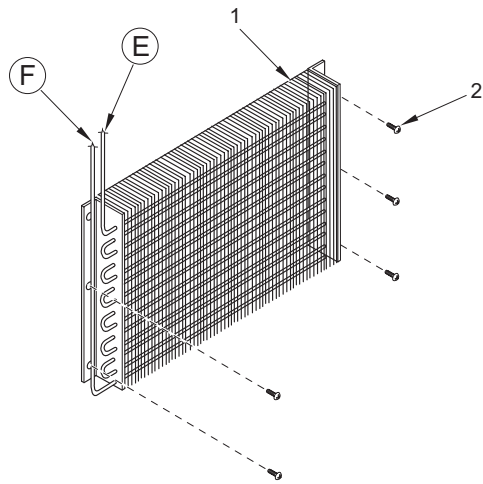
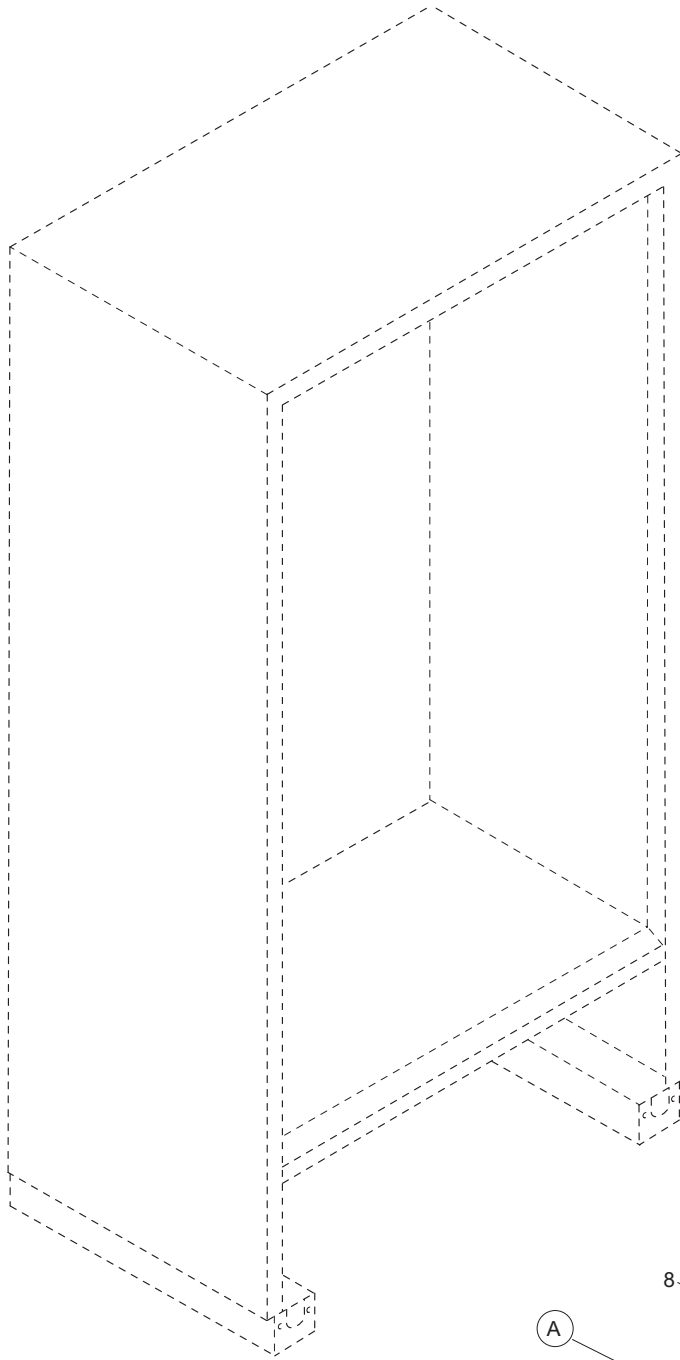
601R MECHANICAL VIEW



601R SEALED SYSTEM PARTS LIST

<u>Ref #</u>	<u>Part #</u>	<u>Description</u>
1	3130390	Evaporator, Ref (See SN Breaks)
	3130610	Evaporator, Ref (See SN Breaks)
2	6201270	Screw, #8-18 x 5/8" PH PN SS-Gnd
3	3120320	Condenser (See SN Breaks)
	3120390	Condenser (See SN Breaks)
4	6110020	Bolt, #10-24 x 3/8" Truss HD
5	6150080	Nut-Flat, #10-24
6	3014230	Filter-Drier, High Side
7	6120170	Locking Cable Tie, Red, 11-1/2"
8	4251310	Heat Exchanger
9	4201880	Compressor, Refrig. (EMI30HER)
10	3111370	Relay (1351400)
	3111410	Overload (4TM734LFB)
11	2600196	Drain Pan Heater Loop
12	3421430	Pan Heater Support
13	6200300	Screw, 5/16-18 x 1-1/2" Hex
14	6240050	Flat Washer, 5/16"
15	3150170	Rubber Grommet, Large, 15/16"
16	1801000	Nylon Compressor Mount, 7/16"
17	6160070	Sleeve, 5/16 x 7/16 x 7/8"
18	3014100	Suction Line Drier (Service Only)

601R SEALED SYSTEM VIEW

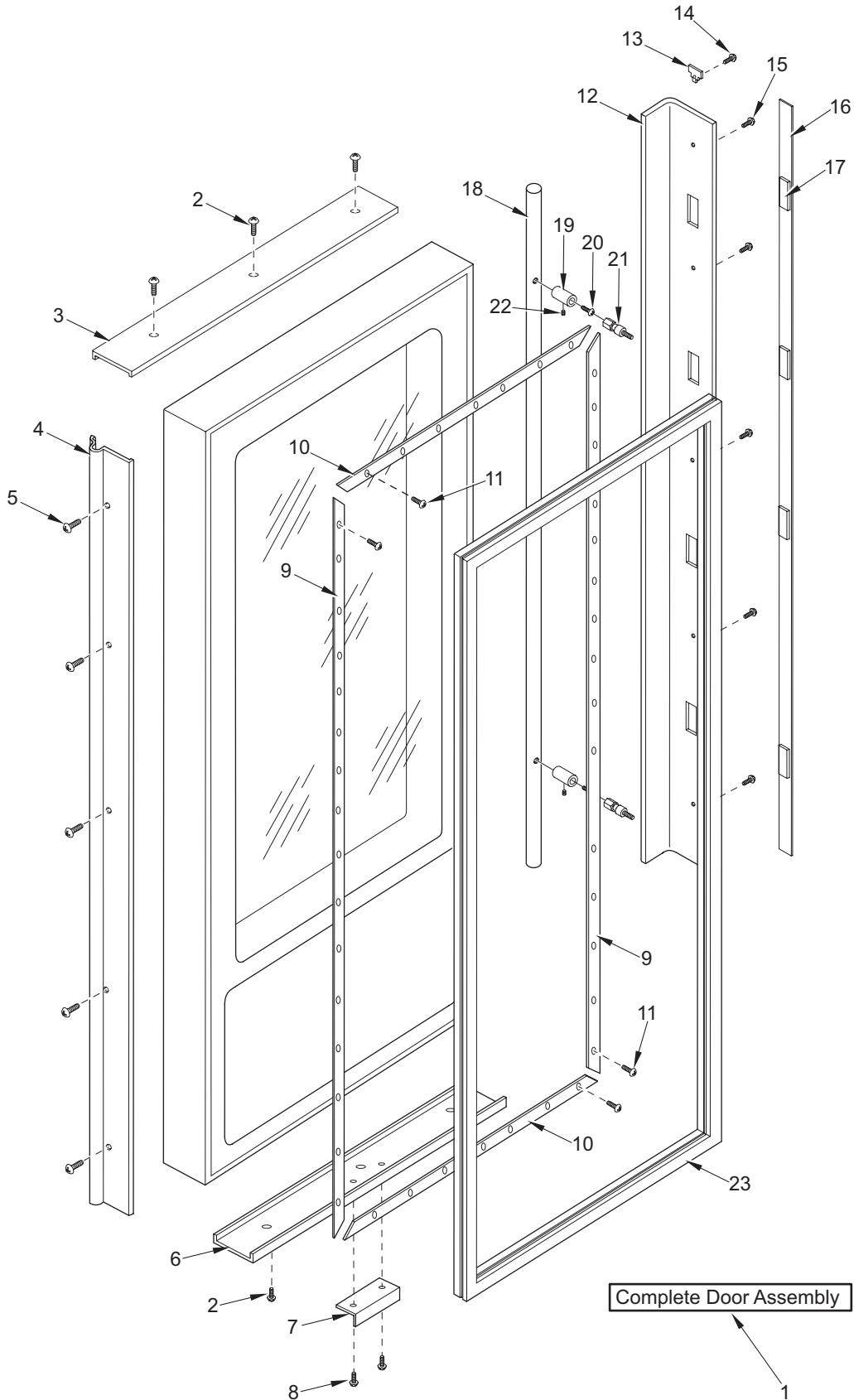


18 - Suction Line Drier
(Not Shown)

601RG DOOR PARTS LIST

<u>Ref #</u>	<u>Part #</u>	<u>Description</u>
1	4134615	Refrig. Door Assy, Frame/Overlay - RH
	4134616	Refrig. Door Assy, Frame/Overlay - LH
	4134617	Refrig. Door Assy, Frame/Overlay (HAG) - RH
	4134618	Refrig. Door Assy, Frame/Overlay (HAG) - LH
	4134635	Refrig. Door Assy, SS - RH
	4134636	Refrig. Door Assy, SS - LH
	4134637	Refrig. Door Assy, SS (HAG) - RH
	4134638	Refrig. Door Assy, SS (HAG) - LH
		NOTE: All Door Assy's include Wire Harness / Top Hinge Assy.
2	6200720	Screw, #8-18 x 1/2 Ph Truss Hd
3	2230608	Door Trim, Top LH
	2230609	Door Trim, Top RH
4	3511310	Door Trim, Hinge Side - Mitered Corner
	3511410	Door Trim, Hinge Side - (SS Model)
5	6200720	Screw, #8-18 x 1/2 Ph Truss Hd
6	2230606	Door Trim, Bottom LH
	2230607	Door Trim, Bottom RH
7	0185180	Switch Depressor
8	6201300	Tapping Screw, #8 x 1/2
9	3420250	Gasket Retainer, Side, 57.875
10	3420220	Gasket Retainer, 33.312"
11	6200410	Screw, #8 x 1/2 Slot Head Hex
12	4132230	Door Handle Assy (Framed)
	4132330	Handle-side Door Trim (Overlay)
13	3413340	Handle/Trim End Cap
14	6180160	Rivet, Open End Blind, 1/8 X 3/16
15	6201300	Tapping Screw, #8 x 1/2
16	4132370	Handle/Trim Molding Assy
17	3451000	Magnet, Trim Strip - 3"
18	4133510	Handle Assy, Blunt (Incl. Stand-offs) - (See SN Breaks)
	4133690	Handle Assy, SS OBR Standoffs (Incl. Stand-offs) - (See SN Breaks)
19	3511320	Handle Stand-off 1" D (See SN Breaks)
	3512150	Standoff, SS Oval, Door (See SN Breaks)
20	6110540	Bolt, #10-24 x 1/2 Flat Socket HD
21	3511520	Handle Mounting Stud
22	6110730	Set Screw #10-32 x 1/4 SS Cone
23	3212100	Door Gasket

601RG DOOR VIEW

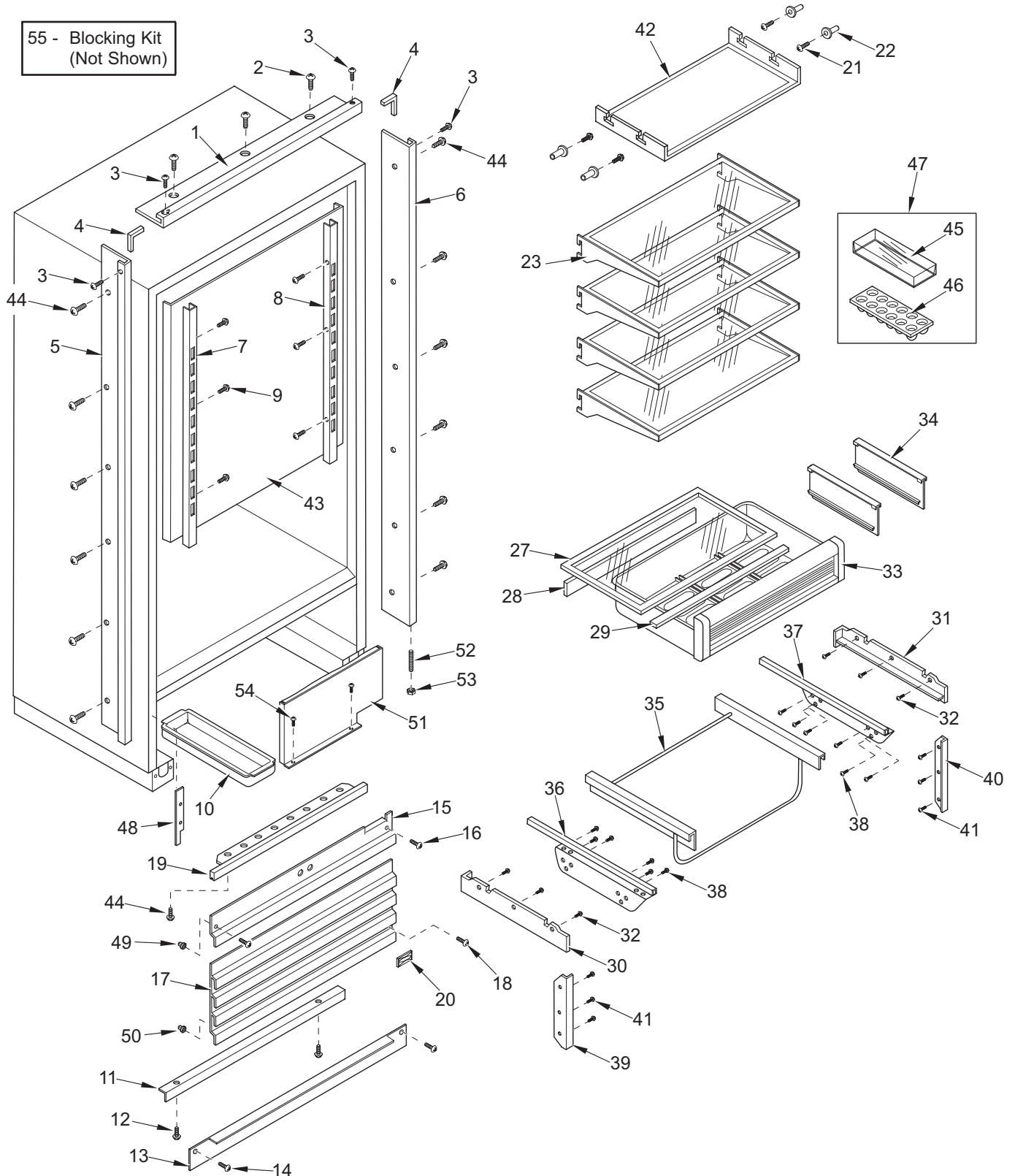




601RG COSMETIC PARTS LIST

Ref #	Part #	Description	Ref #	Part #	Description
1	2234001	Frame, Main Top 36 - RH	27	4151750	Crisper Glass Assy (Incl. Seals)
	2234002	Frame, Main Top 36 - LH	28	3211760	Crisper Glass Seal, Rear
2	6200010	Screw, #10-12 x 3/4 Pan HD	29	3211730	Crisper Glass Seal, Front
3	6200070	Screw, #4-24 x 3/8" Flat HD.	30	3421711	Top Crspr Glass Support, Narrow-RH
4	2210701	Main Frame Angle		3421722	Top Crisper glass Support, Wide-LH
5	2234004	Main Frame, Left-RH	31	3421712	Top Crisper Glass Support, Narrow-LH
	2234005	Main Frame, Left-LH		3421721	Top Crisper Glass Support, Wide-RH
6	2234003	Frame, Main Side Right - RH	32	6201130	Screw, #8x 1/2 Ph FI Hd SS
	2234006	Main Frame, Right-LH	33	4181440	High Humidity Drawer Assy
7	3601832	Shelf Ladder, Left	34	3413100	Drawer Divider
8	3601831	Shelf Ladder, Right	35	3421770	Humidity Drawer Slide-Frame
9	6200710	Screw, #8-18 x 3/8 Fillister HD	36	4181412	Top Crisper Slide Assy, Wide-LH
10	0166110	Drain Pan		4181421	Top Crisper Slide Assy, Narrow-RH
11	0169790	Front Rail	37	4181411	Top Crisper Slide Assembly, Wide-RH
12	6110020	Bolt, #10-24 x 3/8 Truss HD		4181422	Top Crisper Slide Assy, Narrow-LH
13	0169520	Kickplate	38	6201270	Screw, #8-18 x 5/8 Ph Pn SS-Gnd
	0167820	Kickplate, Stainless Steel	39	3421741	Crisper Filler Strip, Narrow (if RH)
14	6200050	Screw, #10-12 Pan Hd		3421742	Crisper Filler Strip, Wide (if LH)
15	2233901	Upper Grille (Framed/Overlay) - RH	40	3421741	Crisper Filler Strip, Narrow (if LH)
	2233902	Upper Grille (Framed/Overlay) - LH		3421742	Crisper Filler Strip, Wide (if RH)
	0261281	Cover, Grill (Stainless Steel) - RH	41	6201270	Screw, #8-18 x 5/8 Ph Pn SS-Gnd
	0261282	Cover, Grill (Stainless Steel) - LH	42	4161870	Refrig. Light Diffuser Assy
16	6201510	Screw, #8-18 x 3/4 PH Truss HD	43	0201240	Evaporator Cover
17	4242250	Grille Assy, Lwr (Framed/Overlay)	44	6201550	Screw, #8-1/8 Low Profile
	4242360	Grille Assy, SS (See SN Breaks)	45	3412280	Egg Tray Cover
	4242380	Grille Assy, SS (See SN Breaks)	46	3412270	Egg Tray
18	6200790	Screw, #8-18 Black (Framed/Overlay)	47	4131810	Egg Tray with Cover
19	3516670	Trim, Grille Cover (SS)	48	3580882	Grille, Spacer LH
20	3580210	Name Plate, Stick-on		3580881	Grille, Spacer RH
21	6201330	Screw, #8 PH-Pan Head 1"	49	6220320	Screw Grmt
22	3520420	Insert / Diffuser Stand-off	50	6220050	Screw Grmt, 1/2X5/8
23	3602310	Shelf, Glass Cantilever	51	4281060	Compressor Shroud Assy
24	NA		52	3550190	Bottom Hinge Stud
25	NA		53	6150200	Nut, 1/4-20 Hex
26	NA		54	6200020	Screw, #7-16 X 1/2 Pan Hd
			55	4201320	Blocking Kit, 36" (Not Shown)

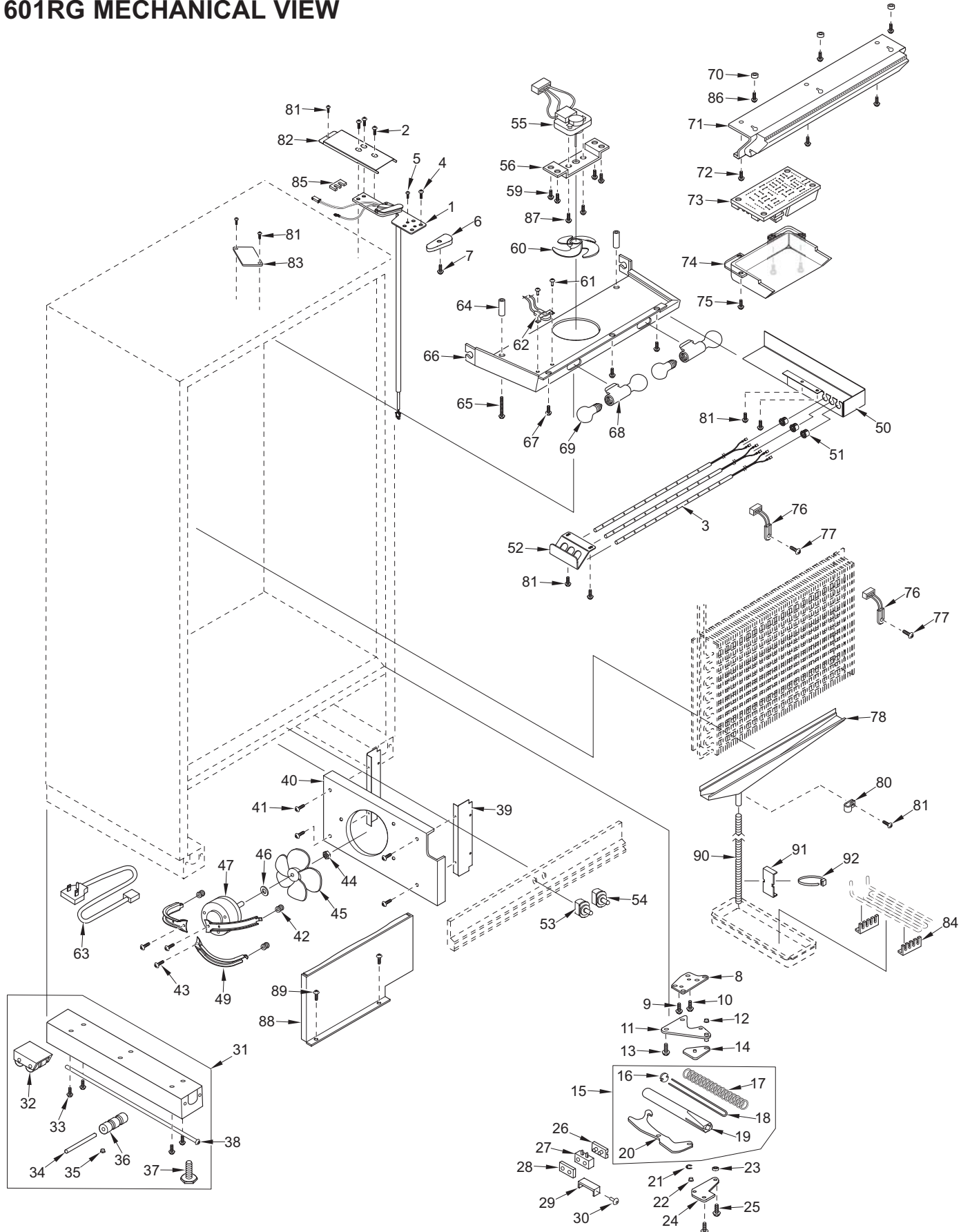
601RG COSMETIC VIEW



601RG MECHANICAL PARTS LIST

Ref #	Part #	Description	Ref #	Part #	Description
1	4325461	Wire Harness/Hinge Assy, Door RH	46	3210340	Neoprene Silencer, 7/8"
	4325462	Wire Harness/Hinge Assy, Door LH	47	4200740	Motor Pkg, Cond Fan (blade not incl.)
2	6201140	Screw 1/4-20 X 5/8 Sems But Hd	48	6150330	Well Nut, .75D x .804", #10-32
3	3030150	Strip, Light 15 Watt	49	0261150	Condenser Fan Bracket
4	6110540	Bolt, #10-24 x 1/2" Flat Socket HD	50	0212740	Light Box
5	6200390	Screw, #6 x 3/8" T25 Flat Head PH	51	3220810	Grommet, Open/Closed 1/2"
6	3541017	Top Cabinet Hinge Cover, RH	52	0261330	Bracket, Light
	3541018	Top Cabinet Hinge Cover, LH	53	3060030	Light Switch, N/C
7	6200140	Screw, #8-15 x 3/8" Truss HD	54	3060020	Fan Switch, N/O
8	4151241	Door Hinge, Bottom RH	55	4200170	Ref Fan Motor Pkg. (blade not incl.)
	4151242	Door Hinge, Bottom LH	56	0212520	Bracket, Fan (Production)
9	6110540	Bolt, #10-24 x 1/2" Flat Socket HD		0212540	Bracket, Fan (In Srvc Pckg, 4200170)
10	6200390	Screw, #6 x 3/8" T25 Flat Head PH	57	3220250	Grommet, Rubber-M5351
11	4151871	Bottom Cabinet Hinge Assembly - RH	58	3520410	Brass Insert, Fan
	4151872	Bottom Cabinet Hinge Assembly - LH	59	6201270	Screw, #8-18 x 5/8" PH PN SS-Gnd
12	3421270	Hinge Bearing, 3/8" x 5/8"	60	3150640	Fan Blade, Evaporator
13	6110070	Bolt, 1/4-20 x 3/4" Spinlock Zinc	61	6180010	Pop Rivet, 1/8"
14	DS90	Door Stop-90 Degree	62	3082140	Light Terminator
	DS105	Door Stop-105 Degree	63	4321820	Power Cord
15	4201113	Door Closer Assembly, RH	64	6220220	Screw,Grommet 1/32x3/8 Sq
	4201114	Door Closer Assembly, LH	65	6201010	Screw, #8-15 x 2" Pan Head
16	0165980	Door Closer Spring Retainer	66	4162660	Shroud Assy, Ref Fan
17	3450530	Door Closer Spring	67	6201270	Screw, #8-18 x 5/8" PH PN SS-Gnd
	3450710	Low Pull Spring	68	3050180	Light Socket, Double (See SN breaks)
18	3421290	Door Closer Linkage		3050250	Skt, Light MBase Dbl (See SN breaks)
19	3421300	Door Closer Housing	69	3030030	Light Bulb, 40 Watt
20	0183110	Door Closer Arm	70	6160240	Nylon Spacer
21	3450550	E-Ring / Klipring , 5/16"	71	4162652	Control Panel Assy
22	3421270	Door Closer Bearing	72	6201270	Screw, #8-18 x 5/8" PH PN SS-Gnd
23	6160220	Steel Spacer	73	4203790	Control Board
24	0183960	Cabinet Hinge Stiffener	74	3413940	Control Board Encl
25	6110450	Bolt, 1/4-20 x 1/2" Whiz Lock	75	6201270	Screw, #8-18 x 5/8" PH PN SS-Gnd
26	3450570	Door Closer Cushion	76	3014350	Thermistor
27	0165970	Door Closer Guide Support	77	6201270	Screw, #8-18 x 5/8" PH PN SS-Gnd
28	3421310	Door Closer Guide	78	0260540	Drain Trough Assy
29	0166360	Door Closer Cushion Retainer	79	6201270	Screw, #8-18 x 5/8" PH PN SS-Gnd
30	6180010	Pop Rivet, 1/8"	80	6120050	Tube Clamp, Plastic, 5/8"
31	4110353	Base Assy (w/rollers)	81	6201270	Screw, #8-18 x 5/8" PH PN SS-Gnd
32	4110331	Base Rear Roller Assy	82	0185190	Cover, Hinge - LH
33	6200010	Screw, #10-12 x 3/4" Pan HD		0185210	Cover, Hinge - RH
34	3550560	Straight Pin, Base Assy - .312" x 2.88"	83	0261170	Plate, Cover
35	3450620	Canoe Clip	84	3421430	Pan Heater Support
36	3421240	Cabinet Roller	85	0164500	Shim - Hinge (.040")
37	3570050	Leveling Leg, #18-3/8 x 1"		0164510	Shim - Hinge (.060")
38	6110580	Adjusting Screw	86	6200720	Screw, #8-18 x 1/2 PH Truss HD
39	0260610	Bracket, Condenser	87	6110270	Bolt, #10-32 x 1/4" RD HD
40	0261230	Shroud, Condenser Fan	88	4281060	Compressor Shroud Assy
41	6200050	Screw, #10-12 X 1/2" Pan Hd	89	6200020	Screw, #7-16 X 1/2 Pan Hd
42	3220360	Grommet, Mounting Bracket	90	1601400	Tube, Drain 1/2" X 72"
43	6200430	Screw,#8-18x1/2 Ph Pan Hd B	91	0261160	Bracket, Drain Tube
44	6150410	Nut, 1/4-20	92	6120170	Cable Tie, Red 11-1/2
45	3150320	Fan Blade, Cond -5 prop			

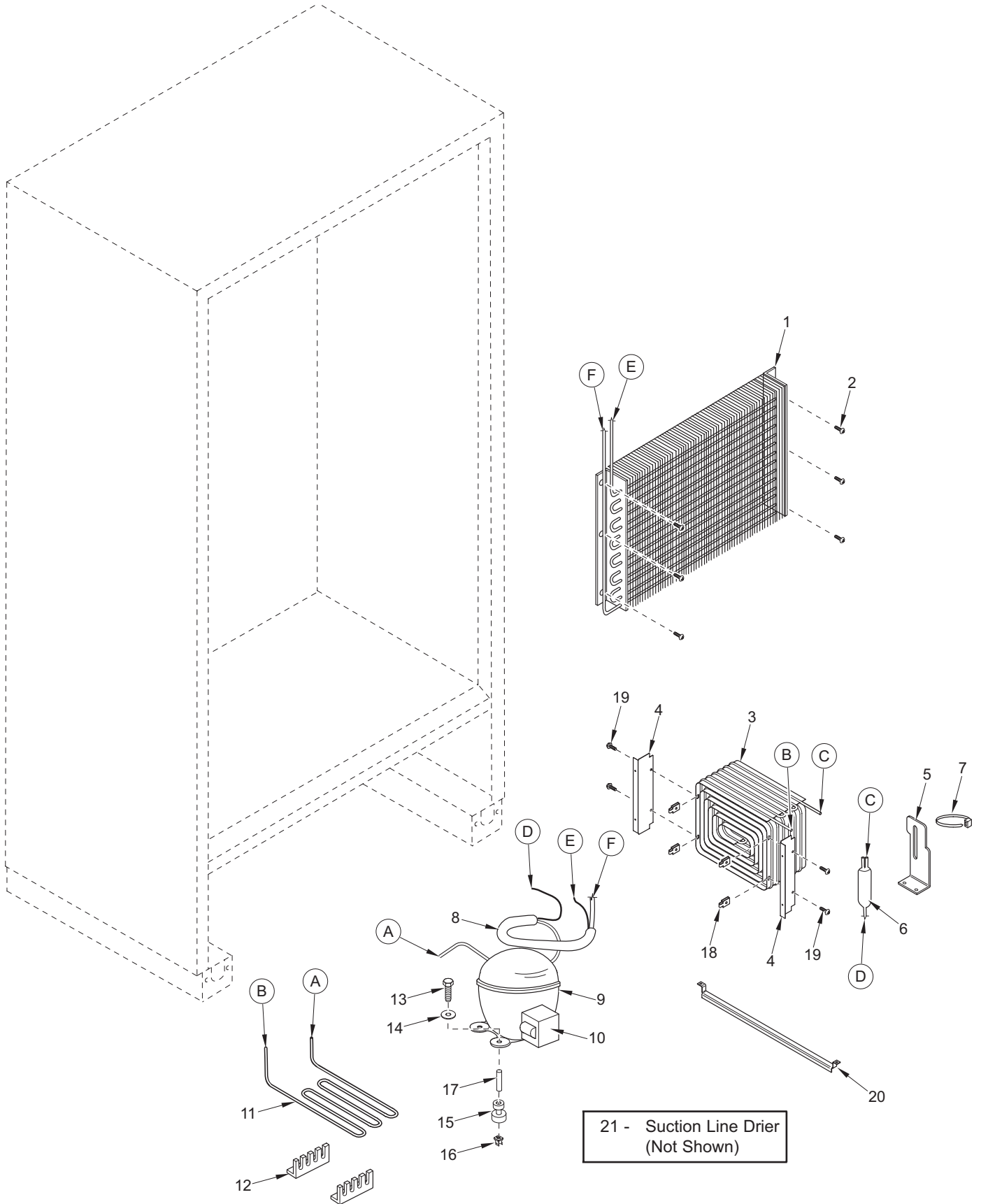
601RG MECHANICAL VIEW



601RG SEALED SYSTEM PARTS LIST

<u>Ref #</u>	<u>Part #</u>	<u>Description</u>
1	3130390	Evaporator, Ref (See SN Breaks)
	3130610	Evaporator, Ref (See SN Breaks)
2	6201270	Screw, #8-18 x 5/8" PH PN SS-Gnd
3	3120390	Condenser
4	0260610	Bracket, Condenser
5	0168040	Bracket, Drier
6	3014230	Filter-Drier, High Side
7	6120170	Locking Cable Tie, Red, 11-1/2"
8	4251310	Heat Exchanger
9	4201880	Compressor, Refrig. (EMI30HER)
10	3111370	Relay, 1351400 (For EMI30HER Service Compressor)
	3111212	Relay, 8EA103 (For EMU30 Production Compressor)
	3111410	Overload, 4TM734LFB (For EMI30HER Service Compressor)
	3111310	Overload, 4TM197NFB (For EMU30 Production Compressor)
	3111070	Capacitor, 12 Mf (For EMU30 Production Compressor)
11	2600196	Drain Pan Heater Loop
12	3421430	Pan Heater Support
13	6200300	Screw, 5/16-18 x 1-1/2" Hex
14	6240050	Flat Washer, 5/16"
15	3150170	Rubber Grommet, Large, 15/16"
16	1801000	Nylon Compressor Mount, 7/16"
17	6160070	Sleeve, 5/16 x 7/16 x 7/8"
18	6150840	Tinnerman J-Clip
19	6200050	Screw, #10-12 X 1/2" Pan Hd
20	0260600	Support, Condenser
21	3014100	Suction Line Drier (Service Only)

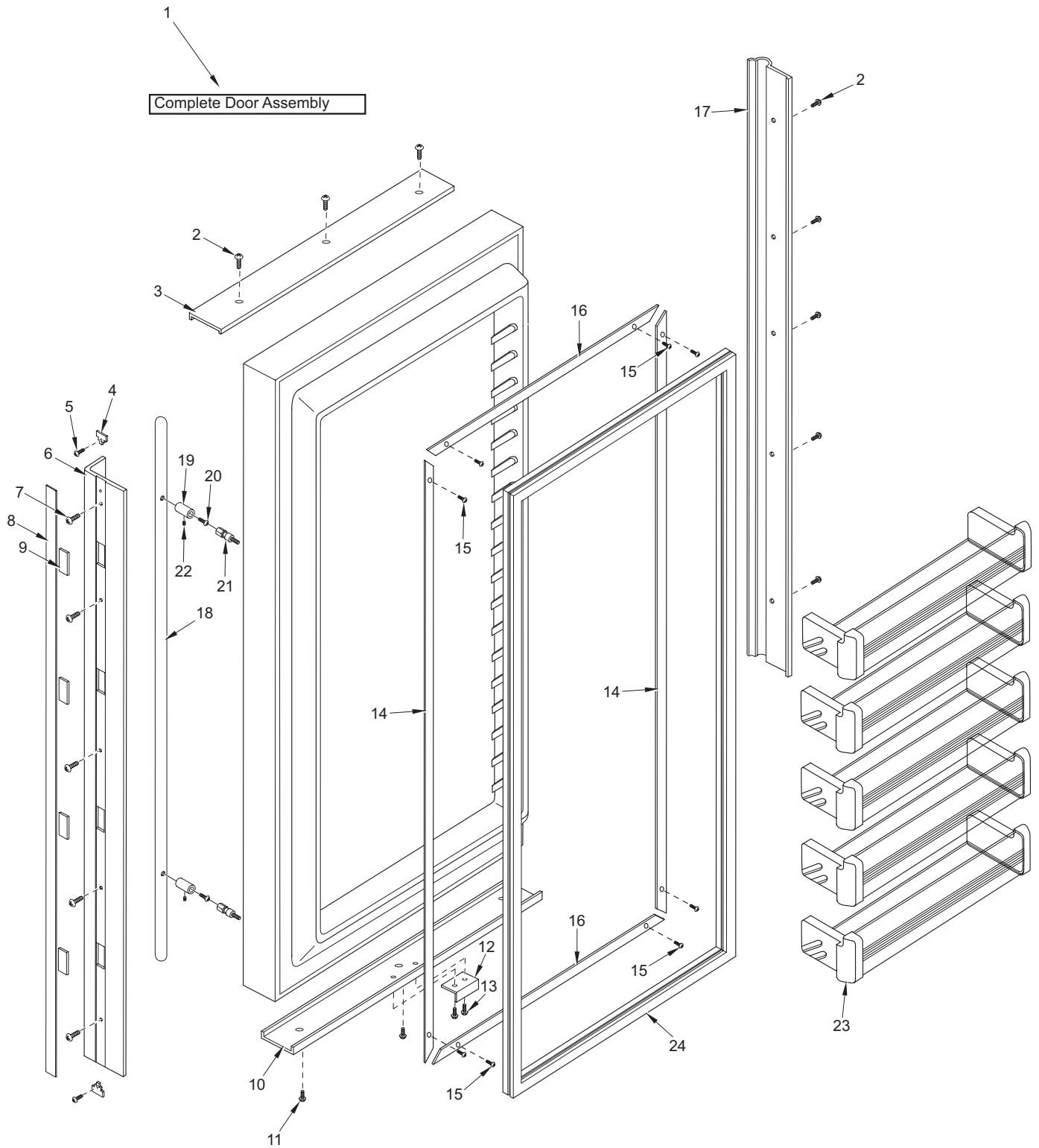
601RG SEALED SYSTEM VIEW



601F DOOR PARTS LIST

<u>Ref #</u>	<u>Part #</u>	<u>Description</u>
1	4132943	Freezer Door Assy, Frame/Overlay - RH
	4132944	Freezer Door Assy, Frame/Overlay - LH
	4134523	Freezer Door Assy, SS - RH
	4134524	Freezer Door Assy, SS - LH
2	6200720	Screw, #8-18 x 1/2 Ph Truss Hd
3	2230608	Door Trim, Top LH
	2230609	Door Trim, Top RH
4	3413340	Handle/Trim End Cap
5	6180160	Rivet, Open End Blind, 1/8 X 3/16
6	4132230	Door Handle Assy (Framed)
	4132330	Handle-Side Door Trim (Overlay)
7	6201300	Tapping Screw, #8 x 1/2
8	4132370	Handle/Trim Molding Assy
9	3451000	Magnet, Trim Strip - 3"
10	2230606	Door Trim, Top RH or Bottom LH
	2230607	Door Trim, Top LH or Bottom RH
11	6200720	Screw, #8-18 x 1/2 Ph Truss Hd
12	0180281	Switch Depressor, White
13	6201300	Tapping Screw, #8 x 1/2
14	3420250	Gasket Retainer, Side, 57.875
15	6200410	Screw, #8 x 1/2 Slot Head Hex
16	3420220	Gasket Retainer, 33.312
17	3511310	Door Trim, Hinge Side - Mitered Corner
	3511410	Door Trim, Hinge Side - (SS Model)
18	4132410	Handle Assy, Round (Incl. Stand-offs) (See SN Breaks)
	4133510	Handle Assy, Blunt (Incl. Stand-offs) (See SN Breaks)
	4133690	Handle Assy, SS OBR Standoffs (Incl. Stand-offs) (See SN Breaks)
19	3511320	Handle Stand-off 1" D (See SN Breaks)
	3512150	Standoff, SS Oval, Door (See SN Breaks)
20	6110540	Bolt, #10-24 x 1/2 Flat Socket HD
21	3511520	Handle Mounting Stud
22	6110730	Set Screw #10-32 x 1/4 SS Cone
23	4330480	Door Shelf Assy
24	3212100	Door Gasket

601F DOOR VIEW

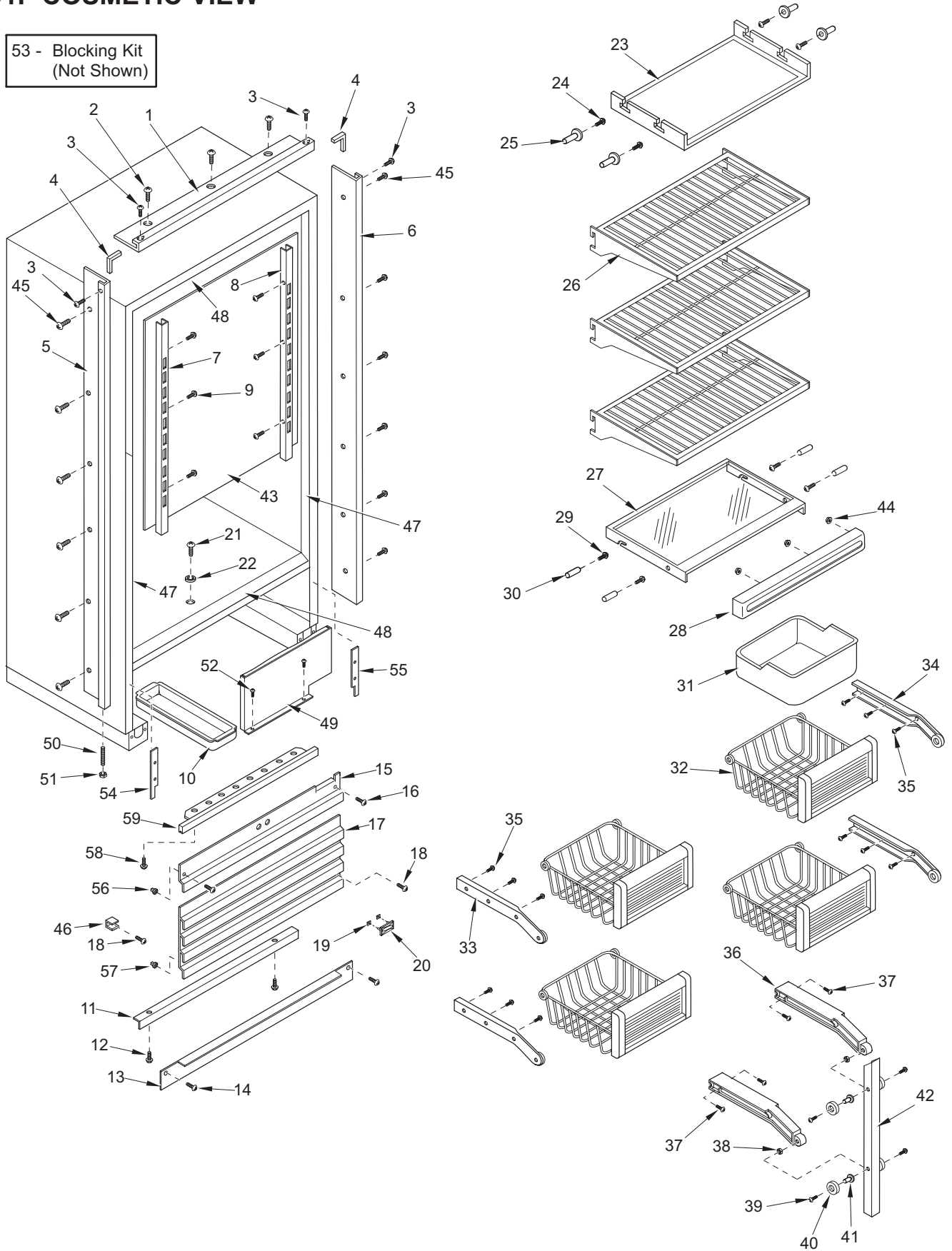


601F COSMETIC PARTS LIST

Ref #	Part #	Description	Ref #	Part #	Description
1	2229616	Main Frame, Top-RH (See SN Breaks)	18	6200790	Screw, #8-18 Black
	2229637	Main Frame, Top-RH (See SN Breaks)	19	6150140	Spring Grip Nut, 1/8
	2234015	Frame, Main Top-RH (See SN Breaks)	20	3580210	Name Plate, Stick-on
	2229617	Main Frame, Top-LH (See SN Breaks)		3580230	Name Plate w/ Pegs
	2229640	Main Frame, Top-LH (See SN Breaks)	21	6200130	Screw, #8-18 x 3/4 Truss HD
	2234015	Frame, Main Top-LH (See SN Breaks)	22	6160050	Spacer, 7/32 x 3/8 x 1-1/8
2	6200010	Screw, #10-12 x 3/4 Pan HD	23	4160860	Freezer Light Diffuser Assy
3	6200070	Screw, #4-24 x 3/8" Flat HD.	24	6201330	Screw, #8-18 x 5/8 PH PN SS-Gnd
4	2210701	Main Frame Angle	25	3520420	Insert / Diffuser Stand-off
5	2229603	Main Frame, Left-RH (See SN Breaks)	26	3601880	Freezer Wire Shelf
	2229636	Main Frame, Left-RH (See SN Breaks)	27	4181550	Freezer Glass Shelf Assy. (Incl. Front)
	2234004	Frame, Main Left-RH (See SN Breaks)	28	3413030	Freezer Glass Shelf Front
	2229619	Main Frame, Left-LH (See SN Breaks)	29	6200280	Screw, #8-18 x 1 Pan Head
	2229641	Main Frame, Left-LH (See SN Breaks)	30	6220430	Screw Grommet
	2234005	Frame, Main Left-LH (See SN Breaks)	31	3411320	Ice Bucket
6	2229618	Main Frame,Right-RH(See SN Breaks)	32	4181570	Freezer Basket Assy
	2229638	Main Frame,Right-RH(See SN Breaks)	33	4180972	Freezer Basket Slide Assy - Left
	2234003	Frame,Main Right-RH(See SN Breaks)	34	4180971	Freezer Basket Slide Assy - Right
	2229602	Main Frame,Right-LH (See SN Breaks)	35	6200450	Screw, #8 x 1 Type AR Flat
	2229639	Main Frame,Right-LH (See SN Breaks)	36	3411280	Center Basket Slide
	2234006	Frame,Main Side-LH (See SN Breaks)	37	6200130	Screw, #8-18 x 3/4 Truss HD
7	3601842	Shelf Ladder, Left	38	6150020	Nut-Hex, #10-32
8	3601841	Shelf Ladder, Right	39	6200740	Screw, #10-32 x 11/16 PH Flat HD UC
9	6200710	Screw, #8-18 x 3/8 Fillister HD	40	3421160	Basket Slide Roller
10	0166110	Drain Pan		3421170	Freezer Basket Slide Roller, Wide
11	0169790	Front Rail	41	3430080	Roller Bushing
12	6110020	Bolt, #10-24 x 3/8 Truss HD	42	0234010	Center Basket Slide Support
13	0169520	Kickplate	43	0234510	Evaporator Cover
	0167820	Kickplate, Stainless Steel	44	6150820	Palnut, .25
14	6200050	Screw, #10-12 Pan Hd	45	6200210	Screw, #8-32 x 1/2 Flat Head
	6200720	Screw, #8-18x1/2 Ph Tr Hd (SS Model)	46	3450910	Clip, Grille (SS Model)
15	2232001	Upper Grille - RH (See SN Breaks)	47	2811207	Breaker Strip, Side (See SN Breaks)
	2233901	Upper Grille - RH	48	2811206	Braker Strip, Top/Bot (See SN Breaks)
		- Framed/Overlay (See SN Breaks)	49	4280860	Compressor Shroud (See SN Breaks)
		- SS (See SN Breaks)		4281060	Shroud Assy, Comp (See SN Breaks)
	0261281	Cover, Grille RH (SS) (See SN Breaks)	50	3550190	Bottom Hinge Stud
	2232002	Upper Grille - LH (See SN Breaks)	51	6150200	Nut, 1/4-20 Hex
	2233902	Upper Grille - LH	52	6201270	Screw, #8-18 x 5/8" PH PN SS-Gnd
		- Framed/Overlay (See SN Breaks)	53	4201320	Blocking Kit, 36" (Not Shown)
		- SS (See SN Breaks)	54	3580882	Grille, Spacer LH (See SN Breaks)
	0261282	Cover, Grille LH (SS) (See SN Breaks)	55	3580881	Grille, Spacer RH (See SN Breaks)
16	6200720	Screw, #8-18 x 1/2 PH Truss HD	56	6220320	Screw Grmt (See SN Breaks)
17	4242250	Lwr Grille Section (Framed / Overlay)	57	6220050	Screw Grmt,1/2X5/8 (See SN Breaks)
	4241740	Lwr Grille Sctn (SS) (See SN Breaks)	58	6201550	Screw, #8-1/8 Lw Prfl (See SN Breaks)
	4242380	Grille Assy, SS (See SN Breaks)	59	3516670	Trim, Grille Cvr (SS) (See SN Breaks)

601F COSMETIC VIEW

53 - Blocking Kit
(Not Shown)

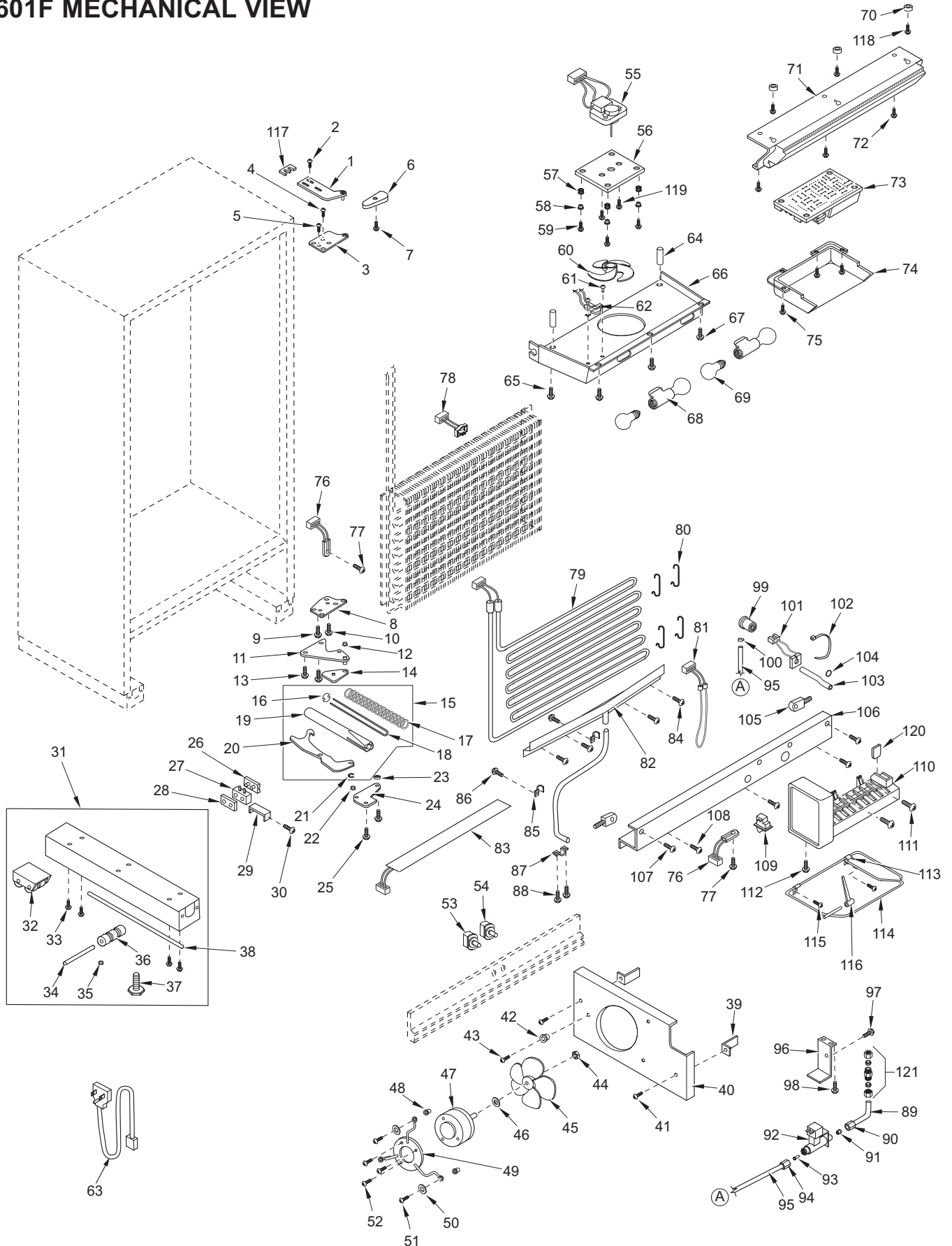




601F MECHANICAL PARTS LIST

Ref #	Part #	Description	Ref #	Part #	Description
1	4151271	Cabinet Hinge Assy, Upper RH	59	6110270	Bolt, #10-32 x 1/4" RD HD
	4151272	Cabinet Hinge Assy, Upper LH	60	3150520	Fan blade, Ref/Fre Evap.
2	6110070	Bolt, 1/4-20 x 3/4" Spinlock Zinc	61	6180010	Pop Rivet, 1/8"
3	4151471	Door Hinge Assy, Top RH	62	3082140	Light Terminator
	4151472	Door Hinge Assy, Top LH	63	4321820	Power Cord
4	6110540	Bolt, #10-24 x 1/2" Flat Socket HD	64	6220540	Screw Grommet / Stand-off
5	6200390	Screw, #6 x 3/8" T25 Flat Head PH	65	6201010	Screw, #8-15 x 2" Pan Head
6	3541017	Top Cabinet Hinge Cover, RH	66	4160880	Fan Shroud Assy (See SN Breaks)
	3541018	Top Cabinet Hinge Cover, LH		4161640	Fan Shroud Assy (See SN Breaks)
7	6200140	Screw, #8-15 x 3/8" Truss HD	67	6201270	Screw, #8-18 x 5/8" PH PN SS-Gnd
8	4151241	Door Hinge, Bottom RH	68	3050180	Light Socket, Double (See SN breaks)
	4151242	Door Hinge, Bottom LH		3050250	Skt, Light MBase Dbl (See SN breaks)
9	6110540	Bolt, #10-24 x 1/2" Flat Socket HD	69	3030030	Light Bulb, 40 Watt
10	6200390	Screw, #6 x 3/8" T25 Flat Head PH	70	6160240	Nylon Spacer
11	4151871	Bottom Cabinet Hinge Assembly - RH	71	4160802	Control Panel Assy (See SN Breaks)
	4151872	Bottom Cabinet Hinge Assembly - LH		4161672	Control Panel Assy (See SN Breaks)
12	3421270	Hinge Bearing, 3/8" x 5/8"	72	6201270	Screw, #8-18 x 5/8" PH PN SS-Gnd
13	6110070	Bolt, 1/4-20 x 3/4" Spinlock Zinc	73	4202801	Control Board
14	DS90	Door Stop-90 Degree	74	3412790	Control Board Enclosure
	DS105	Door Stop-105 Degree	75	6201270	Screw, #8-18 x 5/8" PH PN SS-Gnd
15	4201113	Door Closer Assembly, RH	76	3014350	Thermistor
	4201114	Door Closer Assembly, LH	77	6201270	Screw, #8-18 x 5/8" PH PN SS-Gnd
16	0165980	Door Closer Spring Retainer	78	3082060	Defrost Terminator
17	3450530	Door Closer Spring	79	4323760	Defrost Heater Assy
	3450710	Low Pull Spring	80	1801100	Heater Clip
18	3421290	Door Closer Linkage	81	3013540	Drain Tube Heater
19	3421300	Door Closer Housing	82	4190220	Drain Trough (w/o htr) (See SN Breaks)
20	0183110	Door Closer Arm		4190270	Drain Trough (w/o htr) (See SN Breaks)
21	3450550	E-Ring / Klipping , 5/16"	83	3013530	Drain Trough Heater
22	3421260	Door Closer Bearing	84	6201270	Screw, #8-18 x 5/8" PH PN SS-Gnd
23	6160220	Steel Spacer	85	6120050	Tube Clamp, Plastic, 5/8"
24	0183960	Cabinet Hinge Stiffener	86	6200010	Screw, #10-12 x 3/4" Pan HD
25	6110450	Bolt, 1/4-20 x 1/2" Whiz Lock	87	6120210	U-Clamp, 5/8"
26	3450570	Door Closer Cushion	88	6200010	Screw, #10-12 x 3/4" Pan HD
27	0165970	Door Closer Guide Support	89	2600297	Tube, Copper L-Shaped
28	3421310	Door Closer Guide	90	3520380	Compression Nut
29	0166360	Door Closer Cushion Retainer	91	3520370	Compression Sleeve
30	6180010	Pop Rivet, 1/8"	92	4202790	Water Valve
31	4110353	Base Assy (w/rollers)	93	3520050	Brass Insert, Solenoid
32	4110331	Base Rear Roller Assy	94	3520030	Icemaker Nylon Nut, 1/4"
33	6200010	Screw, #10-12 x 3/4" Pan HD	95	2600617	Plastic Water Line
34	3550560	Straight Pin, Base Assy - .312" x 2.88"	96	0168160	Solenoid Water Valve Bracket
35	3450620	Canoe Clip	97	6200780	Screw, #10-24 x 1/2" PH Hex Washer
36	3421240	Cabinet Roller	98	6201270	Screw, #8-18 x 5/8" PH PN SS-Gnd
37	3570050	Leveling Leg, #18-3/8 x 1"	99	1607700	Water Inlet Tube
38	6110580	Adjusting Screw	100	6220470	Fill Tube Clamp
39	3450290	Angle Bracket	101	3013820	Fill Tube Heater
40	0168070	Cond. Fan Shroud (See SN Breaks)	102	6120450	Locking Cable Tie 9.7" BLK
	0260140	Cond. Fan Shroud (See SN Breaks)	103	2605408	Water Inlet Tube Extension, 6.34"
41	6200010	Screw, #10-12 x 3/4" Pan HD	104	3450480	Plastic O-Ring
42	3420670	Screw Spacer	105	6220330	Plastic Support
43	6200450	Screw, #8 x 1" Type AR Flat	106	0234020	Drain Trough Enclosure
44	6150410	Nut, 1/4-20	107	6201270	Screw, #8-18 x 5/8" PH PN SS-Gnd
45	3150320	Fan Blade, Cond -5 prop	108	6201270	Screw, #8-18 x 5/8" PH PN SS-Gnd
46	3210340	Neoprene Silencer, 7/8"	109	3060130	SPST Fan/Icemaker Switch
47	4200740	Motor Pkg, Cond Fan (blade not incl.)	110	4200521	Icemaker Assy
48	6150330	Well Nut, .75D x .804", #10-32	111	6200120	Screw, #10-12 x 1/2" Truss HD
49	3150650	Condenser Fan Bracket	112	6200320	Screw, #8-32 x 1/2" Truss Head
50	6240350	Fender Washer, .25x1.25x.06	113	6120280	Tube Clamp, Nylon, 3/16"
51	6201280	Machine Screw, #10-32 x 1-1/4"	114	3421150	Ice Level Control Arm
52	6200490	Screw, #8-32 x 3/8" Slotted Hex T25	115	6200120	Screw, #10-12 x 1/2" Truss HD
53	3060030	Light Switch, N/C	116	3421070	Connecting Rod
54	3060020	Fan Switch, N/O	117	0168680	Shim - Hinge
55	4201770	Evap. Fan Motor Pkg. (blade not Incl.)	118	6200720	Screw, #8-18 x 1/2 PH Truss HD
56	0211620	Refrigerator Fan Bracket	119	6110270	Bolt, #10-32 x 1/4" RD HD
57	3220250	Grommet, Rubber-M5351	120	3140360	Fill Cup Plug
58	3520410	Brass Insert, Fan	121	3520250	Water Inlet Fitting Assy

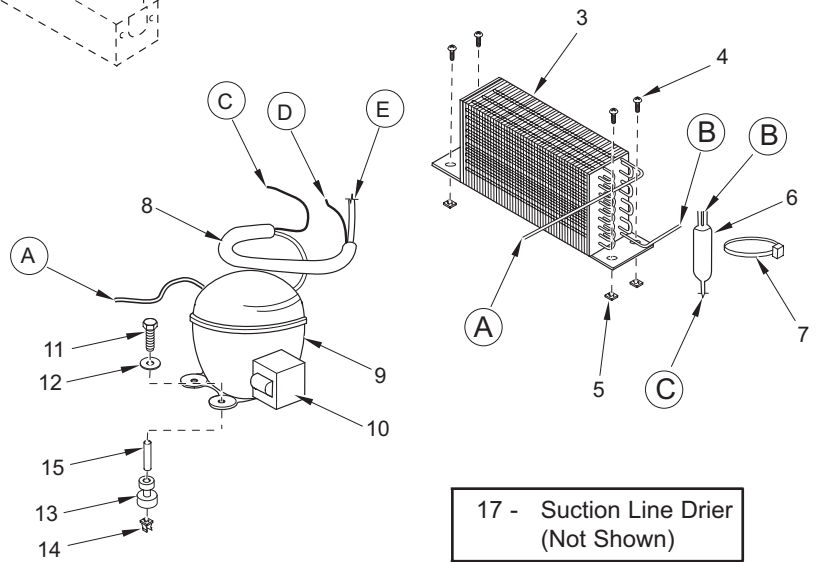
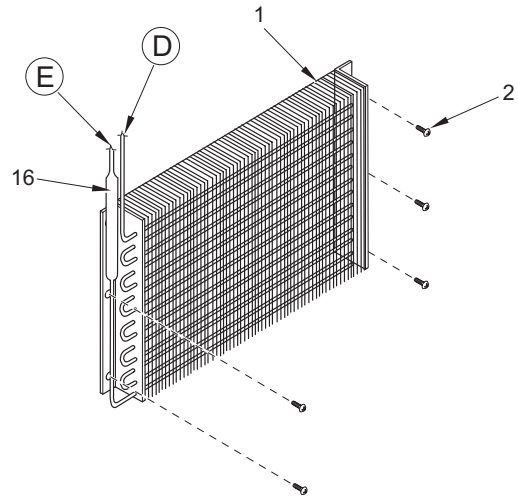
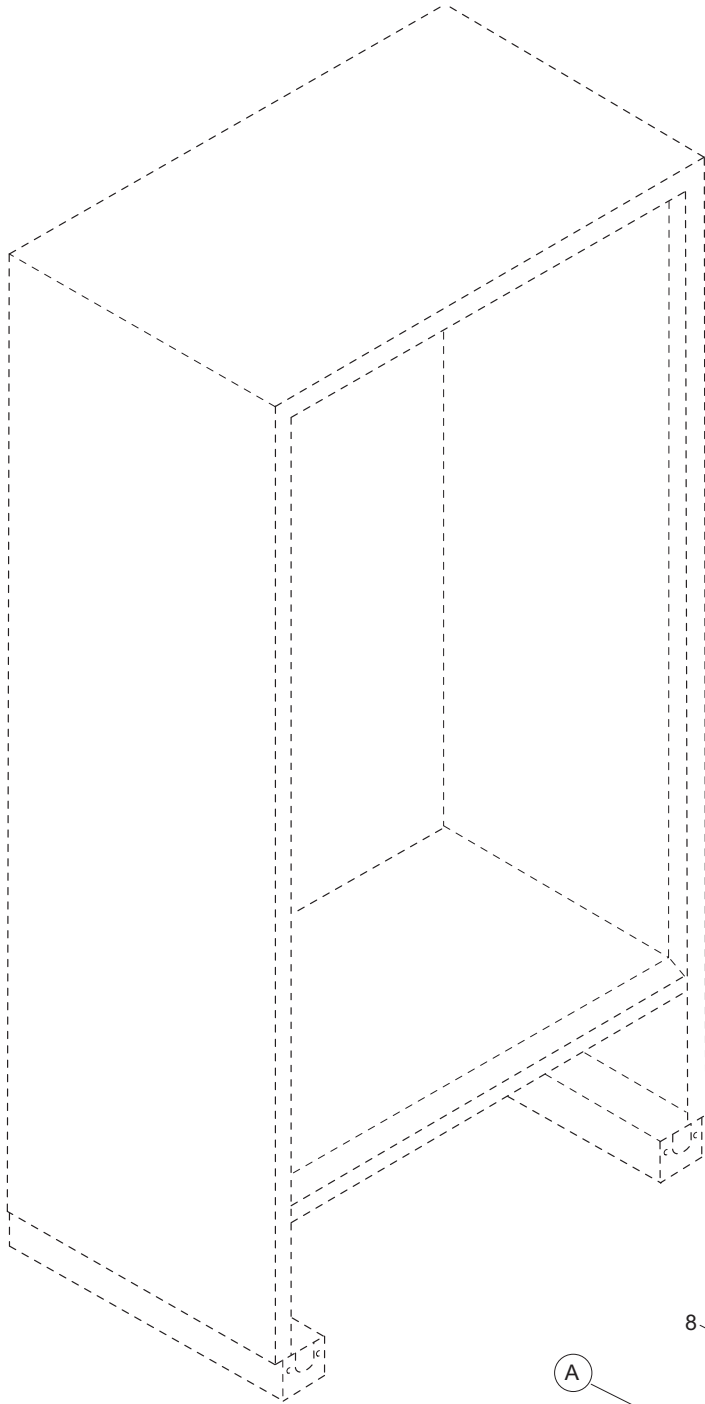
601F MECHANICAL VIEW



601F SEALED SYSTEM PARTS LIST

<u>Ref #</u>	<u>Part #</u>	<u>Description</u>
1	3130440	Evaporator Assembly
2	6201270	Screw, #8-18 x 5/8" PH PN SS-Gnd
3	3120320	Condenser (See SN Breaks)
	3120390	Condenser (See SN Breaks)
4	6110020	Bolt, #10-24 x 3/8" Truss HD
5	6150080	Nut-Flat, #10-24
6	3014230	Filter-Drier, High Side
7	6120170	Locking Cable Tie, Red, 11-1/2"
8	4251320	Heat Exchanger
9	4202250	Compressor, Freezer (DA73)
10	3111041	Relay, (PTH490D-AS100) (Used with DA73 Compressor)
	3111350	Relay, (8EA403) (Used with RG108 Compressor)
	3111430	Overload, (4TM419MFB) (Used with DA73 Compressor)
	3111390	Overload, (4TM419TFB) (Used with RG108 Compressor)
	3111070	Running Capacitor, (12Mf) (Used with DA73 Compressor)
	3111133	Capacitor,(15Mf) (Used with RG108 Compressor)
11	6200300	Screw, 5/16-18 x 1-1/2" Hex
12	6240050	Flat Washer, 5/16"
13	3150170	Rubber Grommet, Large, 15/16"
14	1801000	Nylon Compressor Mount, 7/16"
15	6160070	Sleeve, 5/16 x 7/16 x 7/8"
16	3011140	Accumulator
17	3014100	Suction Line Drier (Service Only)

601F SEALED SYSTEM VIEW



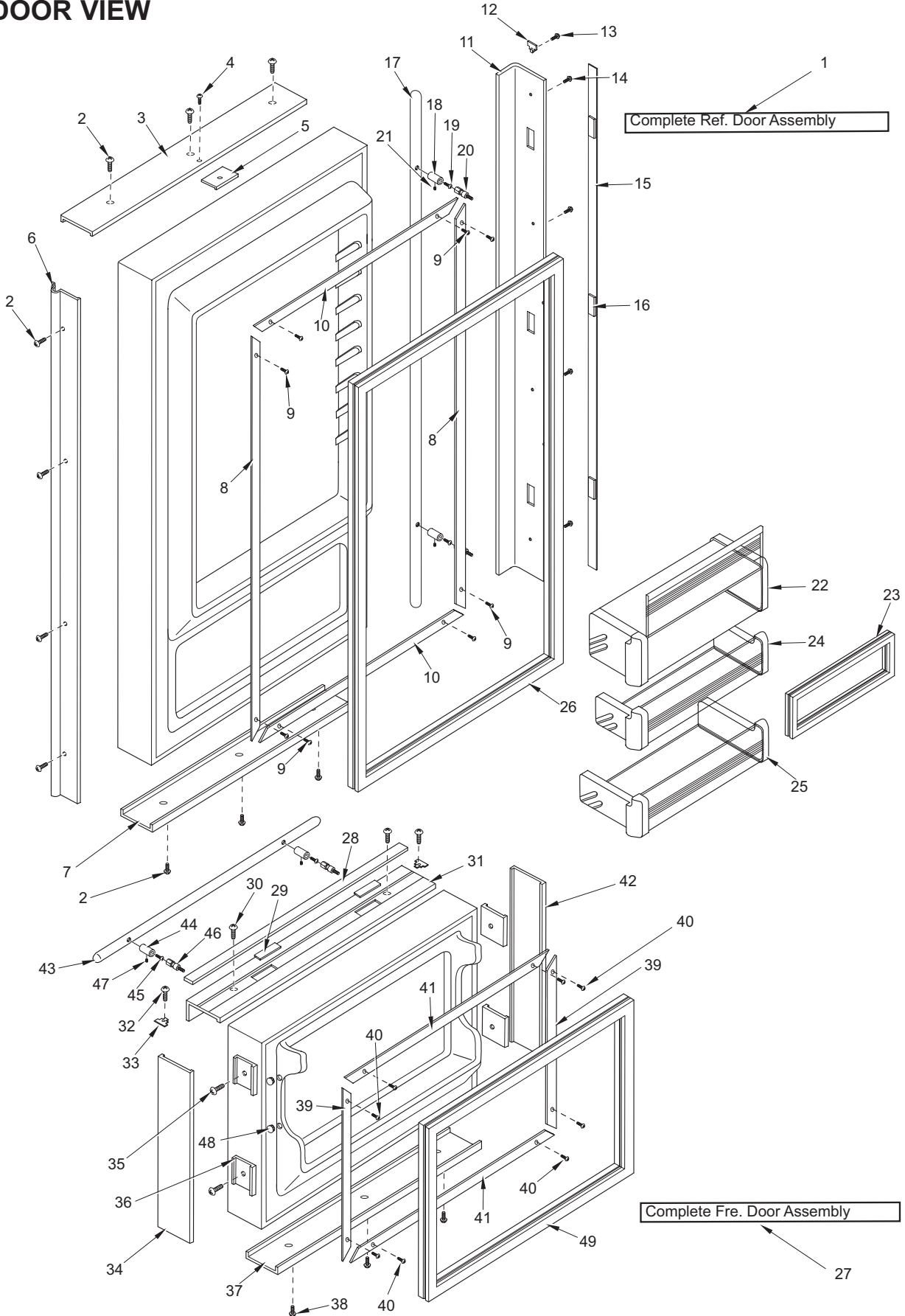


611 DOOR PARTS LIST

Ref #	Part #	Description	Ref #	Part #	Description
1	4133133	Refrig. Door Assy, Frame/Overlay - RH	25	4330520	Gallon Door Shelf Assy (Sales Acc.)
	4133134	Refrig. Door Assy, Frame/Overlay - LH	26	3212160	Door Gasket, Refrigerator
	4133283	Refrig. Door Assy, SS - RH	27	4131995	Freezer Drawer Assy, Frame/Overlay (See SN Breaks)
	4133284	Refrig. Door Assy, SS - LH		4133145	Freezer Drawer Assy, Frame/Overlay (See SN Breaks)
2	6200720	Screw, #8-18 x 1/2 Ph Truss Hd		4132525	Fre Drawr Assy (SS) (See SN Breaks)
3	2230610	Refrig. Door Trim, Top - RH		4133285	Fre Drawr Assy (SS) (See SN Breaks)
	2230611	Refrig. Door Trim, Top - LH	28	4132380	Handle/Trim Molding Assy, Freezer
4	6200720	Screw, #8-18 x 1/2 Ph Truss Hd	29	3451000	Magnet, Trim Strip - 3"
5	4200940	Switch Depressor (Includes Screw)	30	6201300	Tapping Screw, #8 x 1/2
6	3511140	Door Trim, Hinge Side - (SS Model)	31	4132260	Drawer Handle Assy, Freezer (Framed)
	3511141	Door Trim, Hinge Side - Mitered Corner		4132360	Handle-Side Door Trim, Freezer (Overlay)
7	2230612	Refrig. Door Trim, Bottom - RH	32	6180160	Rivet, Open End Blind, 1/8 x 3/16
	2230613	Refrig. Door Trim, Bottom - LH	33	3413340	Handle/Trim End Cap
8	3420240	Gasket Retainer, Side Ref, 47.438	34	2230701	Fre Drawer Trim, Rt Side
9	6200410	Screw, #8 x 1/2 Slot Head Hex	35	6180040	Pop Rivet, 3/16 x 1/8 Grip
10	3420200	Gasket Retainer, 27.062	36	3450460	Door Trim Clip
11	4132240	Door Handle Assy, Refrig. (Framed)	37	2230614	Freezer Drawer Trim, Bottom
	4132340	Handle-Side Door Trim, Ref. (Overlay)	38	6200720	Screw, #8-18 x 1/2 Ph Truss Hd
12	3413340	Handle/Trim End Cap	39	3420150	Gasket Retainer, 17.312
13	6180160	Rivet, Open End Blind, 1/8 x 3/16	40	6200410	Screw, #8 x 1/2 Slot Head Hex
14	6201300	Tapping Screw, #8 x 1/2	41	3420200	Gasket Retainer, 27.062
15	4131870	Handle/Trim Molding Assy, Refrig.	42	2230702	Fre Drawer Trim, Lt Side
16	3451000	Magnet, Trim Strip - 3"	43	4132570	Handle Assy, Fre Drwr Rnd (Incl. Stand-offs) (See SN Breaks)
17	4132200	Handle Assy,Ref 44.125 Rnd (Incl. Stand-offs) (See SN Breaks)		4133460	Hdl Assy, Fre Drwr Blunt (Incl Stndoffs) (See SN Breaks)
	4133500	Hndl Assy,Ref 44.25 Blnt (Incl stndoffs) (See SN Breaks)		4133710	Handle Assy, Obr Standoff-Fre (See SN Breaks)
	4133700	Handle Assy, SS Obr Standoff-Ref (See SN Breaks)	44	3511320	Hndle Stand-Off 1" D (See SN Breaks)
18	3511320	Handle Stand-Off 1"D (See SN Breaks)		3512160	Stndoff,SS Oval, Drwr(See SN Breaks)
	3512150	Standoff, SS Oval (See SN Breaks)	45	6110540	Bolt, #10-24 x 1/2 Flat Socket HD
19	6110540	Bolt, #10-24 x 1/2 Flat Socket HD	46	3511520	Handle Mounting Stud
20	3511520	Handle Mounting Stud	47	6110730	Set Screw #10-32 x 1/4 SS Cone
21	6110730	Set Screw #10-32 x 1/4 SS Cone	48	3550230	White Plastic Plug, 3/4
22	4330450	Dairy Compartment Assy	49	3211160	Door Gasket, Fre. (See SN Breaks)
23	3211830	Dairy Compartment Gasket		3212170	Door Gasket, Fre. (See SN Breaks)
24	4330470	Refrig. Door Shelf Assy			



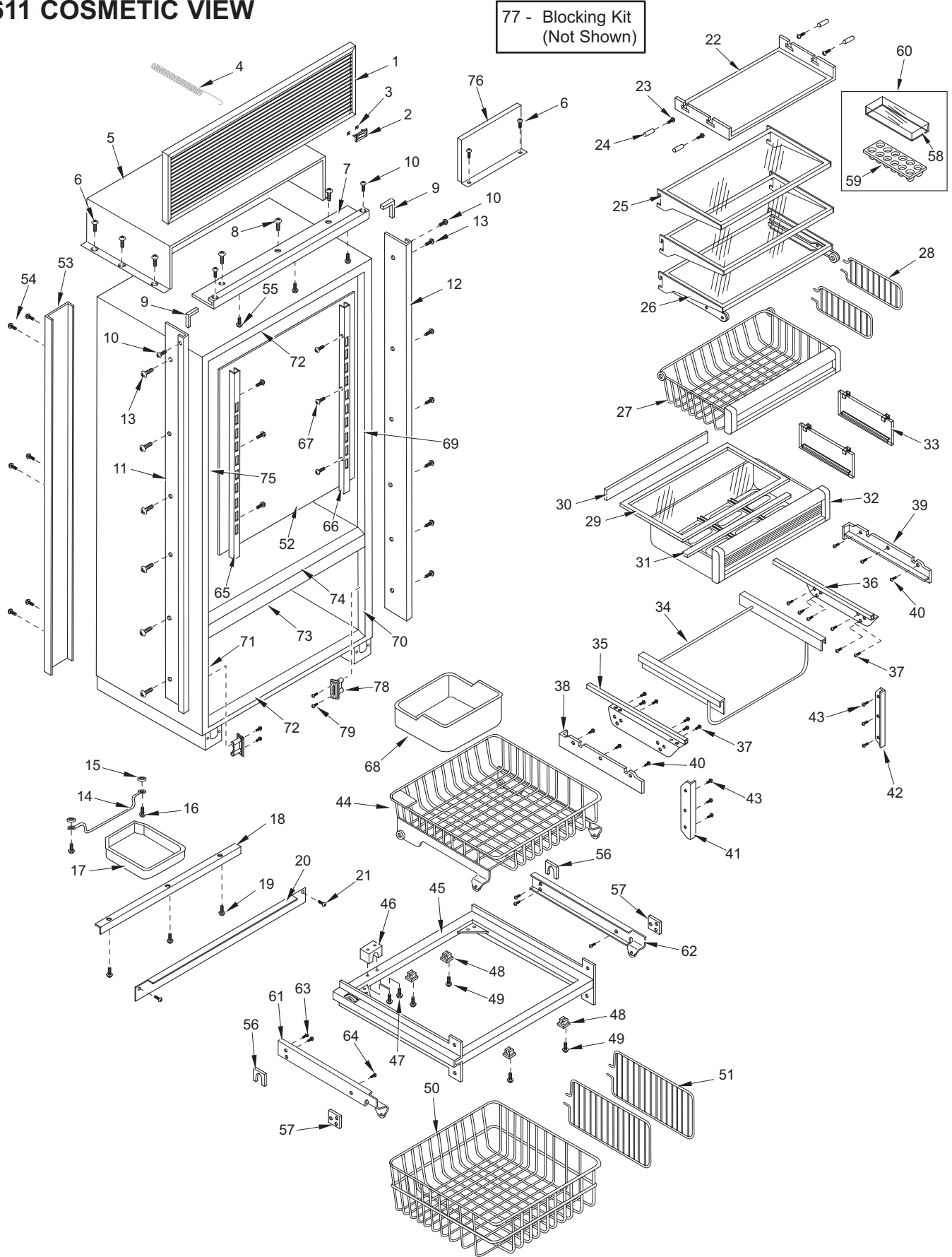
611 DOOR VIEW



611 COSMETIC PARTS LIST

Ref #	Part #	Description	Ref #	Part #	Description
1	6LG3011	Louvered Grille Assy, 30" x 11"	39	3421712	Top Crisper Glass Support, Narrow-LH
	6PG3011	Panel Grille Assy, 30" x 11"		3421721	Top Crisper Glass Support, Wide-RH
	6SG3011	SS Grille 30" x 11" (See SN Breaks)	40	6201130	Screw, #8x 1/2" PH FL HD SS
	6SG3011/S	SS Grille,30X11-CLSC (See SN Breaks)	41	3421741	Crisper Filler Strip, Narrow (if RH)
2	3580230	Nameplate w/ Pegs		3421742	Crisper Filler Strip, Wide (if LH)
	3580210	Name Plate, Stick-on	42	3421741	Crisper Filler Strip, Narrow (if LH)
3	6150140	Spring Grip Nut, 1/8"		3421742	Crisper Filler Strip, Wide (if RH)
4	3450900	Grille spring	43	6201270	Screw, #8-18 x 5/8" PH PN SS-Gnd
5	4281260	Unit Shroud Assembly	44	4181030	Upper Fre Basket Assy (See SN Breaks)
6	6201270	Screw, #8-18 x 5/8" PH PN SS-Gnd		4181950	Upper Fre Basket Assy (See SN Breaks)
7	2229623	Main Frame, Top - LH (See SN Breaks)	45	4180820	Drawer Slide Assy, Fre (See SN Breaks)
	2229643	Main Frame, Top - LH (See SN Breaks)		4181910	Drawer Slide Assy, Fre (See SN Breaks)
	2229624	Main Frame, Top - RH (See SN Breaks)	46	3420950	Upper Freezer Basket Restraint
	2229642	Main Frame, Top - RH (See SN Breaks)	47	6200340	Screw, #6-20 x 1/2" Pan Head
8	6200010	Screw, #10-12 x 3/4" Pan HD	48	6220110	Screw Grommet, 1/2" x 9/16"
9	2210701	Main Frame Angle	49	6200130	Screw, #8-18 x 3/4" Truss HD
10	6200070	Screw, #4-24 x 3/8" Flat HD	50	3411190	Lower Freezer Basket (See SN Breaks)
11	2229608	Main Frame, Left - RH (See SN Breaks)		3413980	Lower Freezer Basket (See SN Breaks)
	2229632	Main Frame, Left - RH (See SN Breaks)	51	3411310	Lower Fre Bskt Divider (See SN Breaks)
	2229613	Main Frame, Left - LH (See SN Breaks)		3413700	Lower Fre Bskt Divider (See SN Breaks)
	2229633	Main Frame, Left - LH (See SN Breaks)	52	0201260	Refig Evap Cover
12	2229607	Main Frame, Right - LH (See SN Breaks)	53	0168120	Back Duct (See SN Breaks)
	2229631	Main Frame, Right - LH (See SN Breaks)		0169600	Back Duct (See SN Breaks)
	2229610	Main Frame, Right - RH (See SN Breaks)	54	6201060	Screw, #8x1-1/4" PH FLAT TAP
	2229630	Main Frame, Right - RH (See SN Breaks)	55	6201310	Screw, #8 x 1-3/4" Flat PH HD
13	6200210	Screw, #8-32 x 1/2" Flat Head	56	0232310	Drawer Slide Shim, Rear
14	3420760	Drain Pan Holder	57	0232300	Drawer Slide Shim, Front - .060"
15	3420670	Screw Spacer		2121180	Shim, Freezer Drawer Front-.030"
16	6201060	Screw, #8x1-1/4" PH FLAT TAP	58	3412280	Egg Tray Cover
17	0164940	Drain Pan	59	3412270	Egg Tray
18	0260720	Kickplate Support	60	4131810	Egg Tray with Cover
19	6200010	Screw, #10-12 x 3/4" Pan HD	61	4180681	Cab Slide Assy, Fre; RT(See SN Breaks)
20	0260710	Kickplate		4181801	Cab Slide Assy, Fre; RT(See SN Breaks)
	0168570	Kickplate, Stainless Steel	62	4180682	Cab Slide Assy, Fre; LT(See SN Breaks)
21	6200050	Screw, #10-12 x 1/2" Pan HD		4181802	Cab Slide Assy, Fre; LT(See SN Breaks)
22	4162580	Refrig. Light Diffuser Assembly	63	6110330	Screw, #10-32 x 1/4" Chrome Plate
23	6201330	Screw, #8-18 x 5/8" PH PN SS-Gnd	64	6200590	Screw, #12 x 1" Type A Zinc Flat HD
24	3520420	Insert / Diffuser Stand-off	65	3601821	Refrig. shelf ladder, Right
25	3601891	Glass Shelf, Spill Proof	66	3601822	Refrig. shelf ladder, Left
26	4181560	Refrig. Roll-out Shelf Assy	67	6200710	Screw, #8-18 x 3/8" Fillister HD
27	4181540	Refrig. Roll-out Basket Assy	68	3411340	Ice Bucket
28	3411160	Ref Roll-Out Bskt Divider	69	2811212	Breaker Strip, Refr, RS (See SN Breaks)
29	4151770	Crisper Glass Assembly (Incl. Seals)	70	2811213	Breaker Strip, Fre, RS (See SN Breaks)
30	3211770	Crisper Glass Seal, Rear	71	2811215	Breaker Strip, Fre, LS (See SN Breaks)
31	3211740	Crisper Glass Seal, Front	72	2811214	Brkr Strip, Ref TOP/Fre BoTtOM (See SN Breaks)
32	4181460	High Humidity Drawer Assembly	73	2811502	Brkr Strip, Fre Mullion (See SN Breaks)
33	3413100	Drawer Divider	74	2811402	Brkr Strip, Ref Mullion (See SN Breaks)
34	3421760	Humidity Drawer Slide-Frame	75	2811216	Breaker Strip, Ref, LS (See SN Breaks)
35	4181412	Top Crisper Slide Assembly, Wide-LH	76	4280950	Compsr Shroud Assy. (See SN Breaks)
	4181421	Top Crisper Slide Assembly, Narrow-RH		4281270	Compsr Shroud Assy. (See SN Breaks)
36	4181411	Top Crisper Slide Assembly, Wide-RH	77	4201310	Blocking Kit; 30" (Not Shown)
	4181422	Top Crisper Slide Assembly, Narrow-LH	78	3421400	Grommet,Spprt Insul. (See SN Breaks)
37	6201270	Screw, #8-18 x 5/8" PH PN SS-Gnd		3421860	Grommet,Spprt Insul. (See SN Breaks)
38	3421711	Top Crspr Glass Support, Narrow-RH	79	6200010	Screw, #10-12 x 3/4" Pan HD
	3421722	Top Crisper glass Support, Wide-LH			

611 COSMETIC VIEW

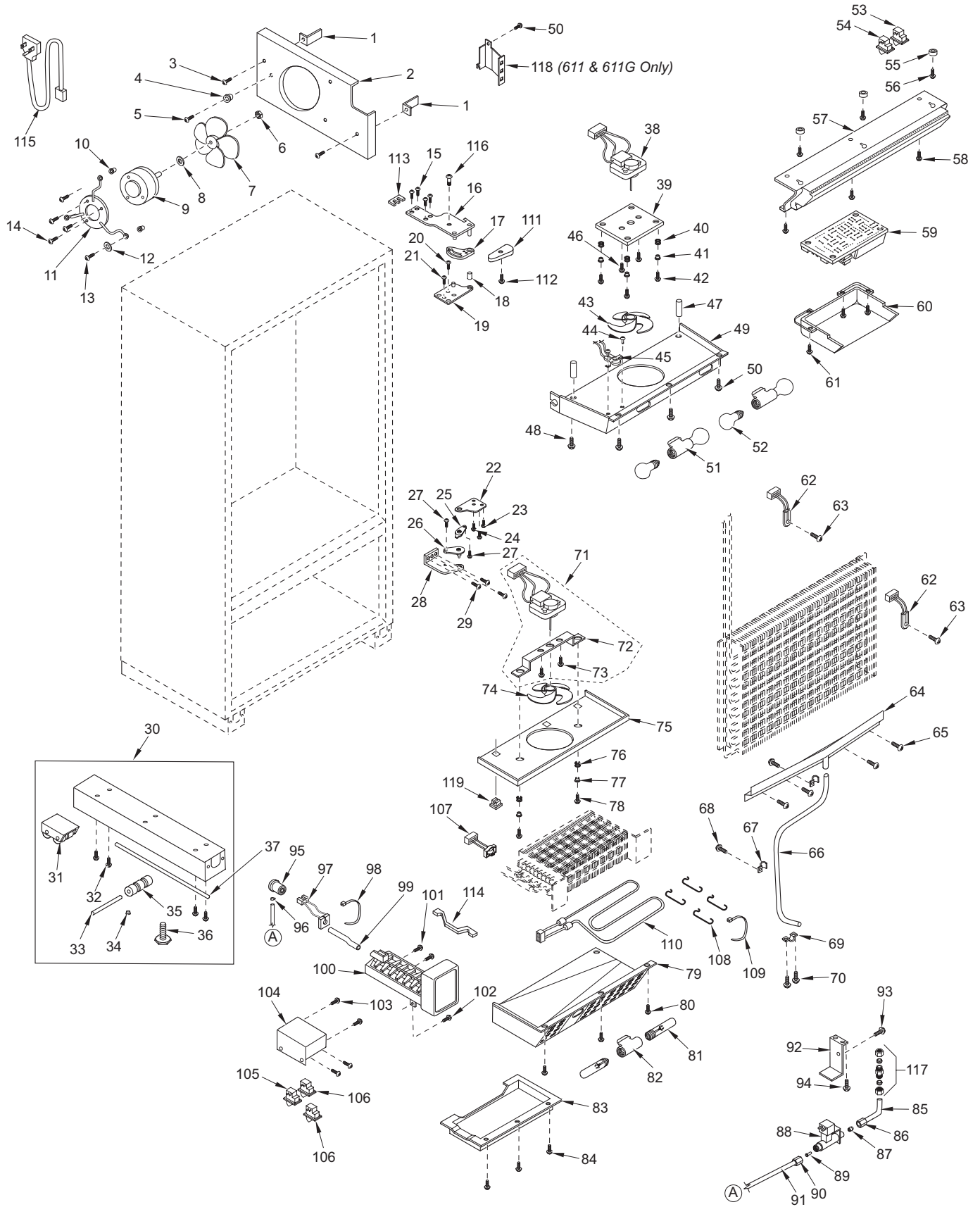




611 MECHANICAL PARTS LIST

Ref #	Part #	Description	Ref #	Part #	Description
1	3450290	Angle Bracket	60	3412790	Control Board Encl. (See SN Breaks)
2	0260730	Condenser Fan Shroud (See SN Breaks)		3413940	Control Board Encl. (See SN Breaks)
	0261220	Shroud, Cond Fan (See SN Breaks)	61	6201270	Screw, #8-18 x 5/8" PH PN SS-Gnd
3	6200010	Screw, #10-12 x 3/4" Pan HD	62	3014350	Thermistor
4	3420670	Screw Spacer	63	6201270	Screw, #8-18 x 5/8" PH PN SS-Gnd
5	6200450	Screw, #8 x 1" Type AR Flat	64	4190200	Drain Trough Assy (See SN Breaks)
6	6150410	Nut, 1/4-20		0212630	Drain Trough, Ref (See SN Breaks)
7	3150320	Fan Blade, Cond, 5 prop, 7"	65	6201270	Screw, #8-18 x 5/8" PH PN SS-Gnd
8	3210340	Neoprene Silencer, 7/8"	66	1601400	Drain Tube, Wire - 1/2" x 72"
9	4200740	Motor Pkg, Cond Fan (blade not incl.)	67	6120050	Tube Clamp, Plastic, 5/8"
10	6150330	Well Nut, .75D x .804", #10-32	68	6200010	Screw, #10-12 x 3/4" Pan HD
11	3150650	Condenser Fan Bracket	69	6120210	U-Clamp, 5/8"
12	6240350	Fender Washer, .25x1.25x.06	70	6200010	Screw, #10-12 x 3/4" Pan HD
13	6201280	Machine Screw, #10-32 x 1-1/4"	71	4200160	Freezer Fan Motor Pkg. (Blade not Incl.)
14	6200490	Screw, #8-32 x 3/8" Slotted Hex T25	72	0232280	Fan Bracket, Fre
15	6110070	Bolt, 1/4-20x3/4 Spinlock Zinc	73	6110270	Bolt, #10-32 x 1/4" RD HD
16	4151831	Upper Cabinet Hinge - RH	74	3150640	Fan blade, Ref/Fre Evap.
	4151832	Upper Cabinet Hinge - LH	75	0233560	Fan Shroud, Fre Evap (See SN Breaks)
17	3421800	Door Stop Cam		4281500	Shroud Assy, Fre Evap (See SN Breaks)
18	3421790	Bearing, Top Door Hinge	76	3220250	Grommet, 3/16" x 7/16" x 9/32"
19	4151841	Hinge, Door Top - RH	77	3520120	Brass Insert, Fan Bracket
	4151842	Hinge, Door Top - LH	78	6200670	Screw, #6-18 x 3/4" Tek
20	6110540	Bolt, #10-24 x 1/2" Flat Socket HD	79	0233180	Evaporator Cover, Fre (See SN Breaks)
21	6200390	Screw, #6 x 3/8" T25 Flat Head PH		0234810	Evaporator Cover, Fre (See SN Breaks)
22	0182381	Door Hinge, Bottom; RH		0235220	Cover, Fre Evap (See SN Breaks)
	0182382	Door Hinge, Bottom; LH		0232860	Fre Evap. Cvr Lft Side (See SN Breaks)
23	6110540	Bolt, #10-24 x 1/2" Flat Socket HD		0234300	Fre Evap. Cvr Lft Side (See SN Breaks)
24	6200390	Screw, #6 x 3/8" T25 Flat Head PH	80	6200120	Screw, #10-12 x 1/2" Truss HD
25	3420690	Bottom Door Hinge Cam	81	3030040	Light Bulb, Long/Narrow; 40 watt
26	3420681	Bottom Cabinet Hinge Cam, RH	82	3050010	Light Socket, 3/4 Single (See SN Breaks)
	3420682	Bottom Cabinet Hinge Cam, LH		3050220	Socket, Light Base Sngl (See SN Breaks)
27	6110270	Bolt, #10-32 x 1/4" RD HD	83	4151880	Fre Air Duct Assy (See SN Breaks)
28	4151641	Cabinet Hinge, Bot- RH (See SN Breaks)		4234890	Fre Air Duct Assy (See SN Breaks)
	4152011	Cabinet Hinge, Bot - RH(See SN Breaks)	84	6200120	Screw, #10-12 x 1/2" Truss HD
	4151642	Cabinet Hinge, Bot - LH (See SN Breaks)	85	2600297	Tube, Copper L-Shaped
	4152012	Cabinet Hinge, Bot - LH(See SN Breaks)	86	3520380	Compression Nut
29	6110010	Bolt, #10-24 x 1/2" Flat Head UC	87	3520370	Compression Sleeve
30	4110353	Base Assy (w/rollers)	88	4202790	Water Valve
31	4110331	Base Rear Roller Assy	89	3520050	Brass Insert, Solenoid
32	6200010	Screw, #10-12 x 3/4" Pan HD	90	3520030	Icemaker Nylon Nut, 1/4"
33	3550560	Straight Pin, Base Assy, .312" x 2.88"	91	2600617	Plastic Water Line
34	3450620	Canoe Clip	92	0168160	Solenoid Water Valve Bracket
35	3421240	Cabinet Roller (Single)	93	6200780	Screw, #10-24 x 1/2" PH Hex Washer
36	3570050	Leveling Leg, #18-3/8 x 1"	94	6201270	Screw, #8-18 x 5/8" PH PN SS-Gnd
37	6110580	Adjusting Screw	95	1607700	Water Inlet Tube
38	4200170	Refrig. Fan Motor Pkg. (Blade not Incl.)	96	6220470	Fill Tube Clamp
39	0211620	Refrigerator Fan Bracket	97	3070210	Heater, Fill Tube
40	3220250	Grommet, 3/16" x 7/16" x 9/32"	98	6120450	Locking Cable Tie 9.7" BLK
41	3520410	Brass Insert, Fan	99	2605410	Water Inlet Tube Extension
42	6110270	Bolt, #10-32 x 1/4" RD HD	100	4200522	Icemaker Assembly
43	3150640	Fan blade, Ref/Fre Evap.	101	6200120	Screw, #10-12 x 1/2" Truss HD
44	6180010	Pop Rivet, 1/8"	102	6201270	Screw, #8-18 x 5/8" PH PN SS-Gnd
45	3082140	Light Terminator	103	6201270	Screw, #8-18 x 5/8" PH PN SS-Gnd
46	6110270	Bolt, #10-32 x 1/4" RD HD	104	0233820	Switch Housing, Freezer
47	6220540	Screw Grommet / Stand-off	105	3060140	SPST Light Switch
48	6201010	Screw, #8-15 x 2" Pan Head	106	3060130	SPST Fan/Icemaker Switch
49	4161970	Refrig. Fan Shroud Assy	107	3082060	Defrost Terminator
50	6201270	Screw, #8-18 x 5/8" PH PN SS-Gnd	108	1801100	Heater Clip
51	3050180	Light Socket, Double (See SN breaks)	109	6120340	Aluminum Strap
	3050250	Skt, Light MBase Dbl (See SN breaks)	110	4322580	Defrost Heater Assy (See SN Breaks)
52	3030030	Light Bulb, 40 Watt		4325190	Defrost Heater Assy (See SN Breaks)
53	3060130	SPST Fan/Icemaker Switch	111	3541017	Top Cabinet Hinge Cover, RH
54	3060140	SPST Light Switch		3541018	Top Cabinet Hinge Cover, LH
55	6160240	Nylon Spacer	112	6200140	Screw, #8-15 x 3/8" Truss HD
56	6200720	Screw, #8-18 x 1/2 PH Truss HD	113	0168680	Shim - Hinge
57	4160922	Control Panel Assy (See SN Breaks)	114	3140400	Icemaker Rudder Arm
	4161922	Control Panel Assy (See SN Breaks)	115	4321820	Power Cord
58	6201270	Screw, #8-18 x 5/8" PH PN SS-Gnd	116	3550770	90° Stop Pin
59	4202800	Control Board Pkg -Dual(See SN Breaks)	117	3520250	Water Inlet Fitting Assy
	4203520	Control Board Pkg (See SN Breaks)	118	0260740	Bracket, Condenser Shroud
			119	6220220	Scrw Grmt, 1/32X3/8 SQ(See SN Breaks)

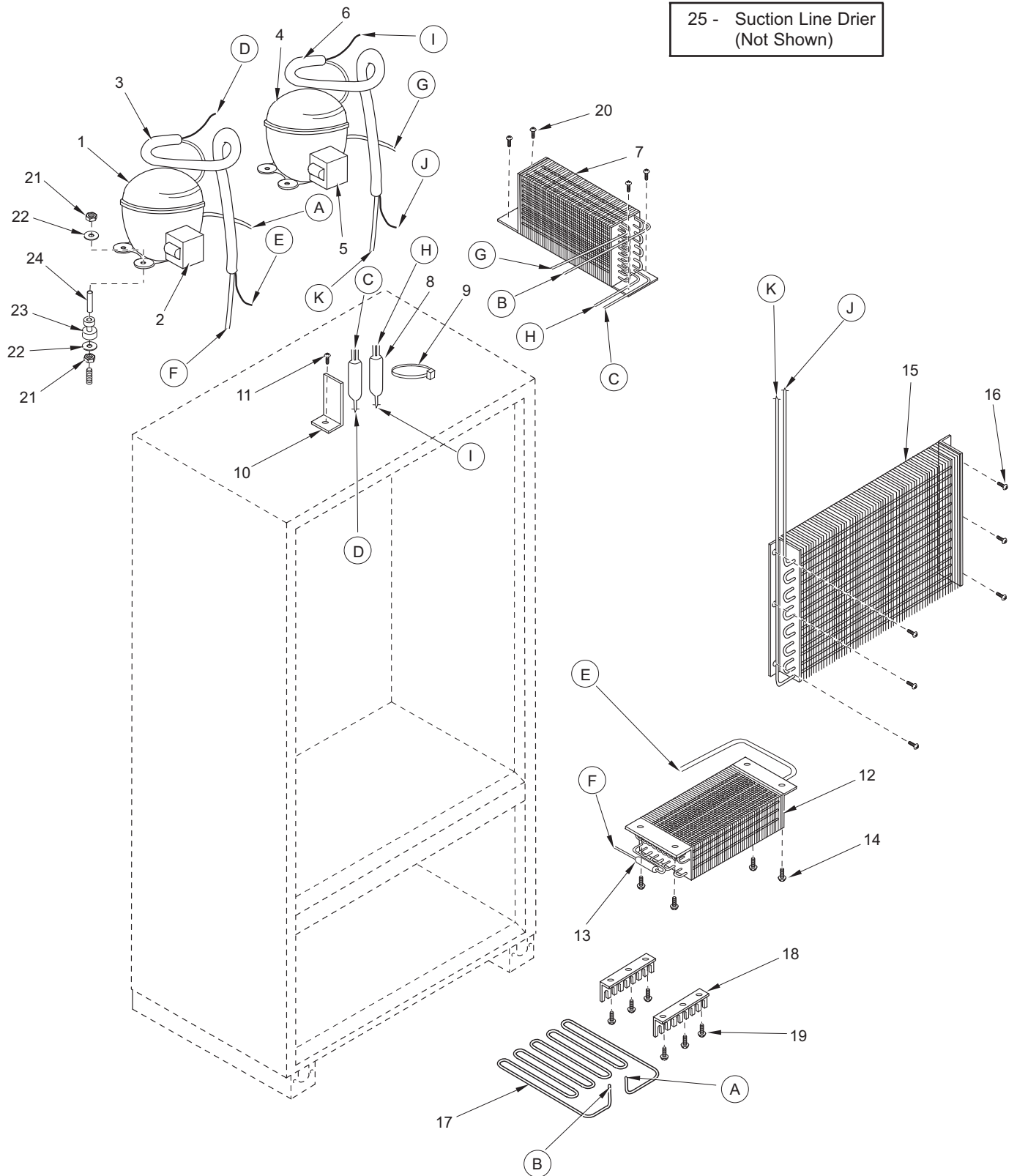
611 MECHANICAL VIEW



611 SEALED SYSTEM PARTS LIST

<u>Ref #</u>	<u>Part #</u>	<u>Description</u>
1	4202280	Compressor, (EMI60HER)
2	3111350	Relay, (8EA403) (Used with RG108 Compressor)
	3111460	Relay, (1351408) (Used with EMI60HER Compressor)
	3111390	Overload (4TM419TFB) (Used with RG108 Compressor)
	3111470	Overload, (4TM757NFB) (Used with EMI60HER Compressor)
	3111133	Capacitor (15Mf) (Used with RG108 Compressor)
	3111470	Overload, (4TM757NFB) (Used with EMI60HER Compressor)
3	4251350	Heat Exchanger, Freezer
4	4201880	Compressor, Refrig. (EMI30HER)
5	3111370	Relay, (1351400 - for EMI30HER)
	3111410	Overload, (4TM734LFB - for EMI30HER)
6	4251330	Heat Exchanger, Refrigerator
7	3120330	Condenser, Dual
8	3014230	Filter-Drier, High Side
9	6120170	Locking Cable Tie, Red, 11-1/2"
10	0168040	Drier Bracket
11	6201270	Screw, #8-18 x 5/8" PH PN SS-Gnd
12	3130320	Evaporator Coil, Fre (See SN Breaks)
	3130600	Evaporator Coil, Fre (See SN Breaks)
13	3011130	Freezer Accumulator
14	6200120	Screw, #10-12 x 1/2" Truss HD
15	3130260	Evaporator, Refrig.
16	6201270	Screw, #8-18 x 5/8" PH PN SS-Gnd
17	2600138	Drain Pan Heater Loop
18	3421410	Drain Pan Heater Loop Support
19	6200010	Screw, #10-12 x 3/4" Pan HD
20	6200010	Screw, #10-12 x 3/4" Pan HD
21	6150220	Nut, 5/16-18 Hex Zinc
22	6240050	Flat Washer, 5/16"
23	3150010	Rubber Grommet, Small, 5/8"
	3150170	Rubber Grommet, Large, 15/16"
24	6160030	Spacer, 5/16 x 7/16 x 5/8"
	6160070	Sleeve, 5/16 x 7/16 x 7/8"
25	3014100	Suction Line Drier (Service Only - Not Shown)

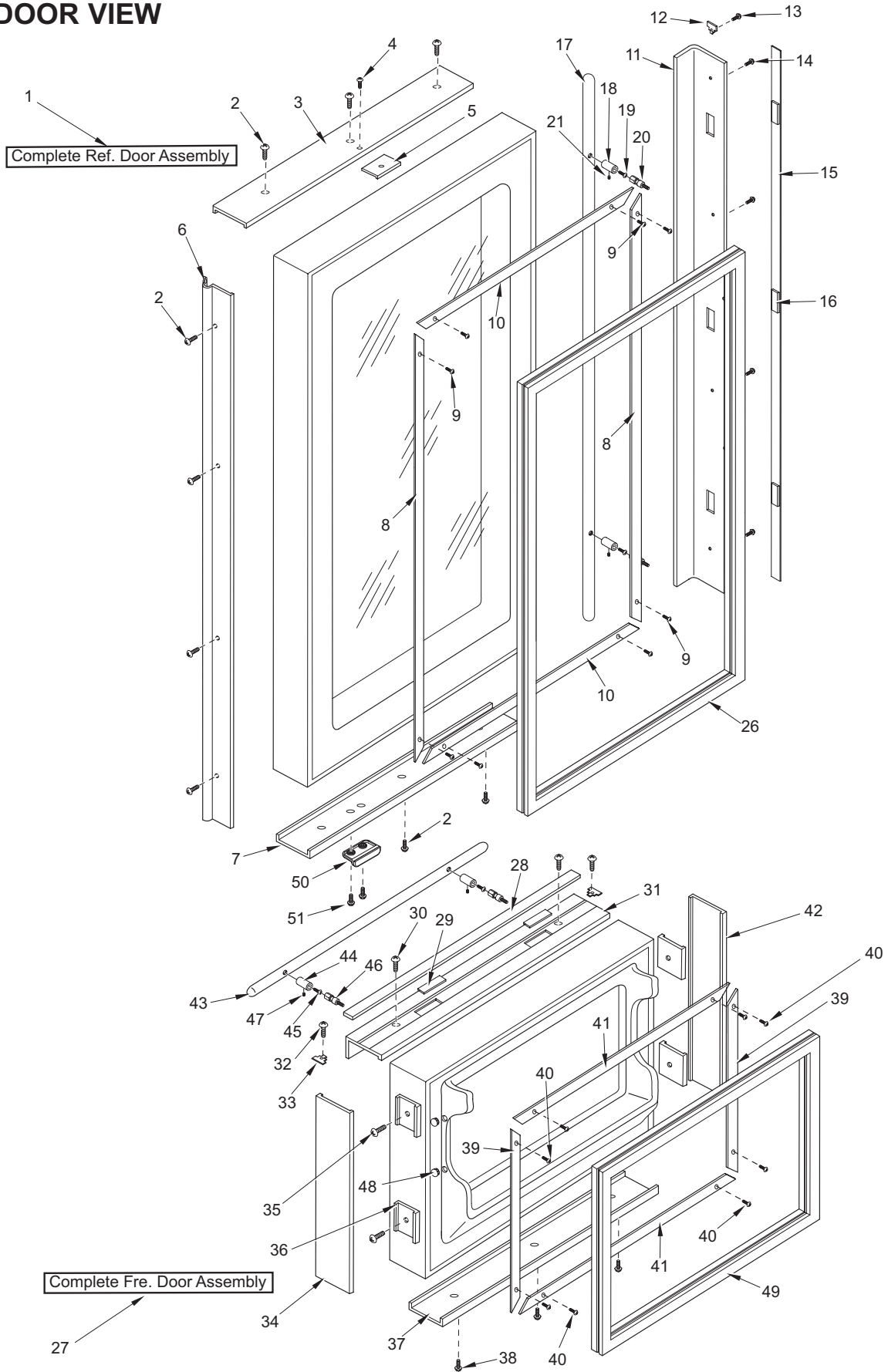
611 SEALED SYSTEM VIEW



611G DOOR PARTS LIST

Ref #	Part #	Description	Ref #	Part #	Description
1	4134655	Door Assy,Ref 611G Frmd/Overlay-RH	22	NA	
	4134656	Door Assy,Ref 611G Frmd/Overlay-LH	23	NA	
	4134657	Door Assy,Ref 611HAG Frmd/Olay-RH	24	NA	
	4134658	Door Assy,Ref 611HAG Frmd/Olay-LH	25	NA	
	4134665	Door Assy, Ref 611G SS-RH	26	3212160	Door Gasket, Refrigerator
	4134666	Door Assy, Ref 611G SS-LH	27	4133145	Freezer Drawer Assy-Frame/Overlay
	4134667	Door Assy, Ref 611HAG SS-RH		4133285	Freezer Drawer Assy-Stainless Steel
	4134668	Door Assy, Ref 611HAG SS-LH	28	4132380	Handle/Trim Molding Assy, Freezer
NOTE: Door Assy's incl. Wire Harness / Top Hng Assy.			29	3451000	Magnet, Trim Strip
2	6200720	Screw, #8-18 x 1/2 Ph Truss Hd	30	6201300	Tapping Screw, #8 x 1/2
3	2230610	Refrig. Door Trim, Top - RH	31	4132260	Drawer Handle Assy, Freezer (Framed)
	2230611	Refrig. Door Trim, Top - LH		4132360	Handle-Side Door Trim, Freezer (Overlay)
4	6200720	Screw, #8-18 x 1/2 Ph Truss Hd	32	6180160	Rivet, Open End Blind, 1/8 x 3/16
5	4200940	Switch Depressor (Includes Screw)	33	3413340	Handle/Trim End Cap
6	3511140	Door Trim, Hinge Side - (SS Model)	34	2230701	Fre Drawer Trim, Rt Side
	3511141	Door Trim, Hinge Side - Mitered Corner	35	6180040	Pop Rivet, 3/16 x 1/8 Grip
7	2230612	Refrig. Door Trim, Bottom - RH	36	3450460	Clip, Door Trim
	2230613	Refrig. Door Trim, Bottom - LH	37	2230614	Freezer Drawer Trim, Bottom
8	3420240	Gasket Retainer, Side Ref, 47.438	38	6200720	Screw, #8-18 x 1/2 Ph Truss Hd
9	6200410	Screw, #8 x 1/2 Slot Head Hex	39	3420150	Gasket Retainer, 17.312
10	3420200	Gasket Retainer, 27.062	40	6200410	Screw, #8 x 1/2 Slot Head Hex
11	4132240	Door Handle Assy, Refrig. (Framed)	41	3420200	Gasket Retainer, 27.062
	4132340	Handle-side Door Trim, Rfrig. (Overlay)	42	2230702	Fre Drawer Trim, Lt Side
12	3413340	Handle/Trim End Cap	43	3512010	Handle, Door SS 1 X 24.312
13	6180160	Rivet, Open End Blind, 1/8 x 3/16		4133710	Handle Assy, Obr Standoff - Fre
14	6201300	Tapping Screw, #8 x 1/2	44	3512160	Standoff, SS Oval
15	4131870	Handle/Trim Molding Assy, Refrig.	45	6110540	Bolt, #10-24 x 1/2 Flat Socket HD
16	3451000	Magnet, Trim Strip	46	3511520	Handle Mounting Stud
17	3511980	Handle, Door SS 1 X 44.250	47	6110730	Set Screw #10-32 x 1/4 SS Cone
	4133700	Handle Assy, SS OBR Standoff	48	3550230	White Plastic Plug, 3/4
18	3512150	Standoff, SS Oval	49	3212170	Door Gasket, Fre.
19	6110540	Bolt, #10-24 x 1/2 Flat Socket HD	50	3430100	Closer, Door-Door Side
20	3511520	Handle Mounting Stud	51	6110060	Bolt, #10-32 x 5/8", Truss Head
21	6110730	Set Screw #10-32 x 1/4 SS Cone			

611G DOOR VIEW





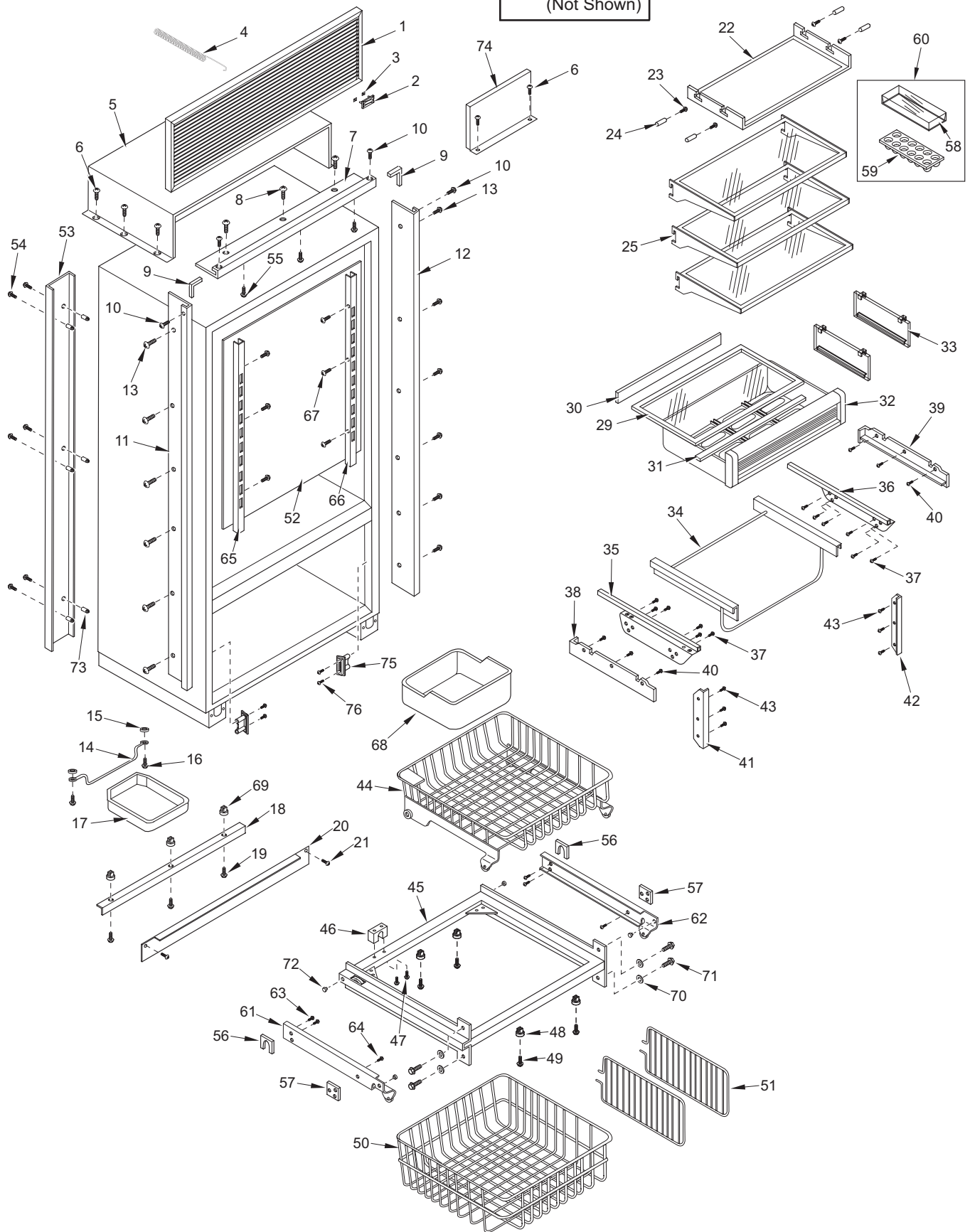
611G COSMETIC PARTS LIST

Ref #	Part #	Description	Ref #	Part #	Description
1	6LG3011	Louvered Grille Assy, 30" x 11"	37	6201270	Screw, #8-18 x 5/8" PH PN SS-Gnd
	6PG3011	Panel Grille Assy, 30" x 11"	38	3421711	Top Crspr Glass Support, Narrow-RH
	6SG3011	Stainless Steel Grille Assy, 30" x 11"		3421722	Top Crisper glass Support, Wide-LH
	6SG3011	SS Grille Assy, 30"X11" (See SN Breaks)	39	3421712	Top Crisper Glass Support, Narrow-LH
	6SG3011/S	SS Grille,30X11-CLSC (See SN Breaks)		3421721	Top Crisper Glass Support, Wide-RH
2	3580230	Nameplate w/ Pegs	40	6201130	Screw, #8x 1/2" PH FL HD SS
3	6150140	Spring Grip Nut, 1/8"	41	3421741	Crisper Filler Strip, Narrow (if RH)
4	3450900	Spring, Grille		3421742	Crisper Filler Strip, Wide (if LH)
5	4281260	Unit Shroud Assembly	42	3421741	Crisper Filler Strip, Narrow (if LH)
6	6201270	Screw, #8-18 x 5/8" PH PN SS-Gnd		3421742	Crisper Filler Strip, Wide (if RH)
7	2234007	Frame, Main Top 30 - RH	43	6201270	Screw, #8-18 x 5/8" PH PN SS-Gnd
	2234008	Frame, Main Top 30 - LH	44	4181950	Upper Fre Basket Assy
8	6200010	Screw, #10-12 x 3/4" Pan HD	45	4181910	Drawer Slide Assy, Fre
9	2210701	Main Frame Angle	46	3420950	Upper Freezer Basket Restraint
10	6200070	Screw, #4-24 x 3/8" Flat HD	47	6200340	Screw, #6-20 x 1/2" Pan Head
11	2234013	Frame, Main Side Left - RH	48	6220110	Screw Grommet, 1/2" x 9/16"
	2234014	Frame, Main Side Left - LH	49	6200130	Screw, #8-18 x 3/4" Truss HD
12	2234011	Frame, Main Side Right - RH	50	3413980	Lower Freezer Basket
	2234012	Frame, Main Side Right - LH	51	3413700	Lower Fre Bskt Divider
13	6201550	Screw, #8-18 X 1/2 Low Profile	52	0201260	Refig Evap Cover
14	3420760	Drain Pan Holder	53	0169600	Back Duct
15	3420670	Screw Spacer	54	6201060	Screw, #8x1-1/4" PH FLAT TAP
16	6201060	Screw, #8x1-1/4" PH FLAT TAP	55	6201310	Screw, #8 x 1-3/4" Flat PH HD
17	0164940	Drain Pan	56	0232310	Drawer Slide Shim, Rear
18	0260720	Kickplate Support	57	0232300	Drawer Slide Shim, Front - .060"
19	6200010	Screw, #10-12 x 3/4" Pan HD		2121180	Shim, Freezer Drawer Front-.030"
20	0260710	Kickplate	58	3412280	Egg Tray Cover
	0168570	Kickplate, Stainless Steel	59	3412270	Egg Tray
21	6200050	Screw, #10-12 x 1/2" Pan HD	60	4131810	Egg Tray with Cover
22	4162580	Refrig. Light Diffuser Assembly	61	4181801	Cab Slide Assy, Fre; RT
23	6201330	Screw, #8-18 x 5/8" PH PN SS-Gnd	62	4181802	Cab Slide Assy, Fre; LT
24	3520420	Insert / Diffuser Stand-off	63	6110330	Screw, #10-32 x 1/4" Chrome Plate
25	3602330	Shelf, Glass Cantilever	64	6200590	Screw, #12 x 1" Type A Zinc Flat HD
26	NA		65	3601821	Refrig. shelf ladder, Right
27	NA		66	3601822	Refrig. shelf ladder, Left
28	NA		67	6200710	Screw, #8-18 x 3/8" Fillister HD
29	4151770	Crisper Glass Assembly (Incl. Seals)	68	3411340	Ice Bucket
30	3211770	Crisper Glass Seal, Rear	69	6220050	Screw Grommet, 1/2" x 5/8"
31	3211740	Crisper Glass Seal, Front	70	6240040	Flat Washer, 1/4"
32	4181460	High Humidity Drawer Assembly	71	6110450	Bolt, 1/4-20 x 1/2" Whiz Lock
33	3413100	Drawer Divider	72	3550300	Glide, Rear Drawer 1/2X1/4
34	3421760	Humidity Drawer Slide-Frame	73	6220430	Screw Grommet
35	4181412	Top Crisper Slide Assembly, Wide-LH	74	4281270	Compressor Shroud Assy.
	4181421	Top Crisper Slide Assembly, Narrow-RH	75	3421860	Grommet, Spprt Insul.
36	4181411	Top Crisper Slide Assembly, Wide-RH	76	6200010	Screw, #10-12 x 3/4" Pan HD
	4181422	Top Crisper Slide Assembly, Narrow-LH	77	4201310	Blocking Kit; 30" (Not Shown)



611G COSMETIC VIEW

77 - Blocking Kit
(Not Shown)

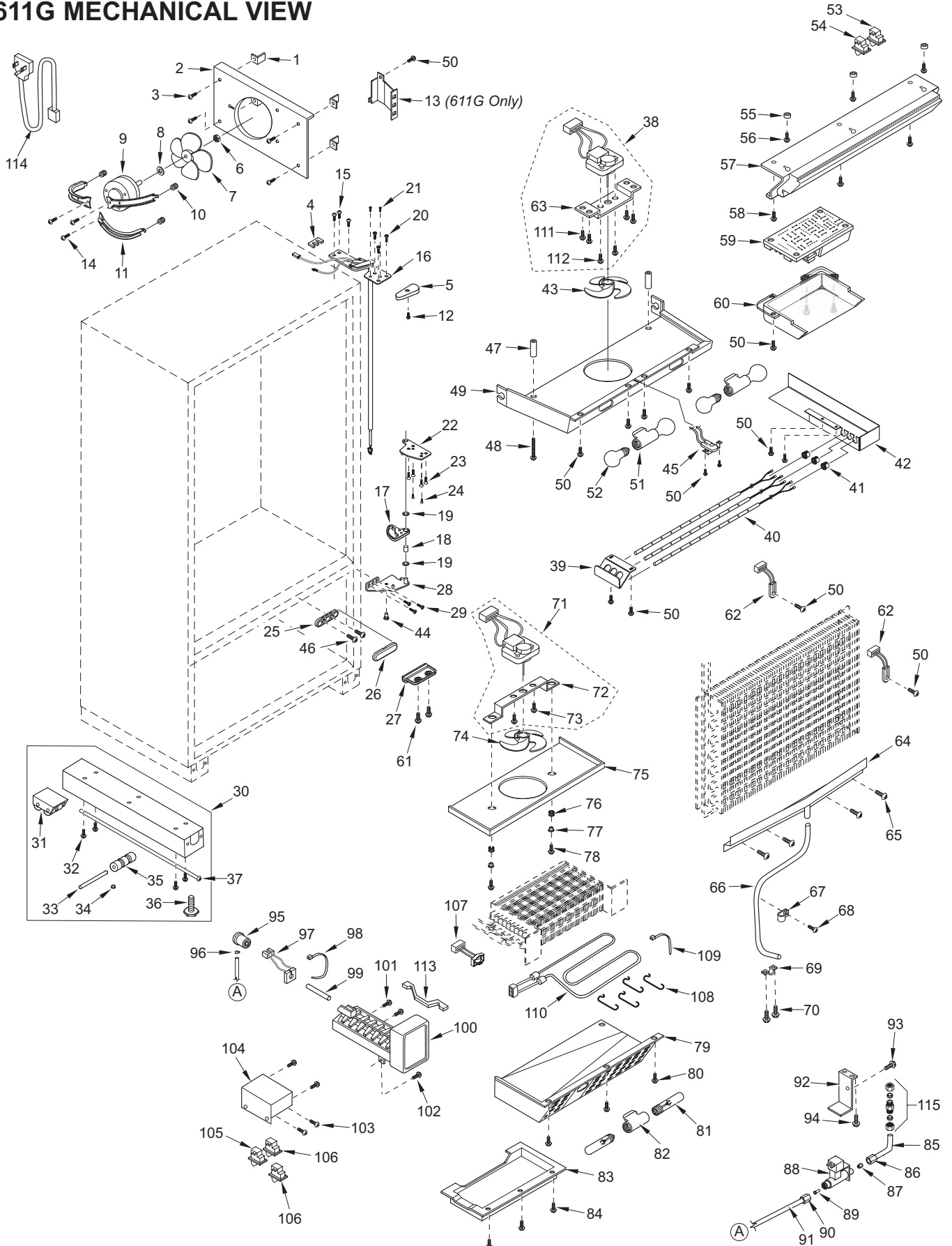




611G MECHANICAL PARTS LIST

Ref #	Part #	Description	Ref #	Part #	Description
1	3450290	Angle Bracket	57	4162682	Control Panel Assy, 611G Srvc
2	0261220	Shroud, Cond Fan	58	6201270	Screw, #8-18 x 5/8" PH PN SS-Gnd
3	6200010	Screw, #10-12 x 3/4" Pan HD	59	4203790	Control Board Pkg
4	0168680	Shim - Hinge	60	3413940	Control Board Encl.
5	3541017	Top Cabinet Hinge Cover, RH	61	6110060	Bolt, #10-32 x 5/8", Truss Head
	3541018	Top Cabinet Hinge Cover, LH	62	3014350	Thermistor
6	6150410	Nut, 1/4-20	63	0212540	Bracket, Fan
7	3150320	Fan Blade, Cond, 5 prop, 7"	64	0212630	Drain Trough, Ref
8	3210340	Neoprene Silencer, 7/8"	65	6201540	Screw, #8- 15X1-1/4 PH PAN HD
9	4200740	Motor Pkg, Cond Fan (blade not incl.)	66	1601400	Drain Tube, Wire - 1/2" x 72"
10	3220360	Grommet, Mtg Brkt	67	6120050	Tube Clamp, Plastic, 5/8"
11	0261150	Bracket, Cond Mounting	68	6200120	Screw, #10-12 x 1/2" Truss HD
12	6200140	Screw, #8-15 x 3/8" Truss HD	69	6120210	U-Clamp, 5/8"
13	0260740	Bracket, Condenser Shroud	70	6200010	Screw, #10-12 x 3/4" Pan HD
14	6200490	Screw, #8-32 x 3/8" Slotted Hex T25	71	4200160	Freezer Fan Motor Pkg. (Blade not Incl.)
15	6110070	Bolt, 1/4-20x3/4 Spinlock Zinc	72	0232280	Fan Bracket, Fre
16	4325671	WH, Top Hinge Assy - RH	73	6110270	Bolt, #10-32 x 1/4" RD HD
	4325672	WH, Top Hinge Assy - LH	74	3150640	Fan Blade, Evaporator
17	3421800	Door Stop Cam	75	4281500	Shroud Assy, Fre Evap 611 Srvc
18	3421790	Bearing, Door Hinge	76	3220250	Grommet, 3/16" x 7/16" x 9/32"
19	3430120	Bushing, Door	77	3520120	Brass Insert, Fan Bracket
20	6110540	Bolt, #10-24 x 1/2" Flat Socket HD	78	6200670	Screw, #6-18 x 3/4" Tek
21	6200390	Screw, #6 x 3/8" T25 Flat Head PH	79	0235220	Cover, Fre Evap
22	4151841	Hinge, Door Bottom LH		0234300	Fre Evap. Cvr Lft Side
	4151842	Hinge, Door Bottom RH	80	6200120	Screw, #10-12 x 1/2" Truss HD
23	6110540	Bolt, #10-24 x 1/2" Flat Socket HD	81	3030040	Light Bulb, Long/Narrow; 40 watt
24	6200390	Screw, #6 x 3/8" T25 Flat Head PH	82	3050220	Socket, Light Int Base Sngl
25	3430110	Closer, Door-Cabinet Side	83	0234890	Fre Air Duct Assy
26	3430140	Cover, Door Closer	84	6200120	Screw, #10-12 x 1/2" Truss HD
27	3430100	Closer, Door-Door Side	85	2600297	Tube, Copper L-Shaped
28	4152081	Cabinet Hinge, Bot - RH	86	3520380	Compression Nut
	4152082	Cabinet Hinge, Bot - LH	87	3520370	Compression Sleeve
29	6110810	Screw, Machine #10-24X3/4 PH FT HD	88	4202790	Water Valve
30	4110353	Base Assy (w/rollers)	89	3520050	Brass Insert, Solenoid
31	4110331	Base Rear Roller Assy	90	3520030	Icemaker Nylon Nut, 1/4"
32	6200010	Screw, #10-12 x 3/4" Pan HD	91	2600617	Plastic Water Line
33	3550560	Straight Pin, Base Assy, .312" x 2.88"	92	0168160	Solenoid Water Valve Bracket
34	3450620	Canoe Clip	93	6200780	Screw, #10-24 x 1/2" PH Hex Washer
35	3421240	Cabinet Roller (Single)	94	6201270	Screw, #8-18 x 5/8" PH PN SS-Gnd
36	3570050	Leveling Leg, #18-3/8 x 1"	95	1607700	Water Inlet Tube
37	6110580	Adjusting Screw	96	6220470	Fill Tube Clamp
38	4200170	Refrig. Fan Motor Pkg. (Blade not Incl.)	97	3070210	Heater, Fill Tube
39	0261330	Bracket, Light	98	6120450	Locking Cable Tie 9.7" BLK
40	3030170	Light Strip, 7.5 WATT	99	2605410	Water Inlet Tube Extension
41	3220810	Grommet, Open/Closed 1/2	100	4200522	Icemaker Assembly
42	0212740	Box, Light Display	101	6200120	Screw, #10-12 x 1/2" Truss HD
43	3150640	Fan blade, Ref/Fre Evap.	102	6201270	Screw, #8-18 x 5/8" PH PN SS-Gnd
44	3550770	90° Stop Pin	103	6201270	Screw, #8-18 x 5/8" PH PN SS-Gnd
45	3082140	Light Terminator	104	0233820	Switch Housing, Freezer
46	6201590	Screw, #8-32X1/2 Taplite Pn Trx	105	3060140	SPST Light Switch
47	6220540	Screw Grommet / Stand-off	106	3060130	SPST Fan/Icemaker Switch
48	6201010	Screw, #8-15 x 2" Pan Head	107	3082060	Defrost Terminator
49	4162700	Shroud Assy, Ref Fan	108	1801100	Heater Clip
50	6201270	Screw, #8-18 x 5/8" PH PN SS-Gnd	109	6120340	Aluminum Strap
51	3050250	Socket, Light Med Base Double	110	4325190	Defrost Heater Assy
52	3030030	Light Bulb, 40 Watt	111	6201270	Screw, #8-18 x 5/8" PH PN SS-Gnd
53	3060130	SPST Fan/Icemaker Switch	112	6110270	Bolt, #10-32 X 1/4 Rd Hd
54	3060140	SPST Light Switch	113	3140400	Icemaker Rudder Arm
55	6160240	Nylon Spacer	114	4321820	Power Cord
56	6200720	Screw, #8-18 x 1/2 PH Truss HD	115	3520250	Water Inlet Fitting Assy

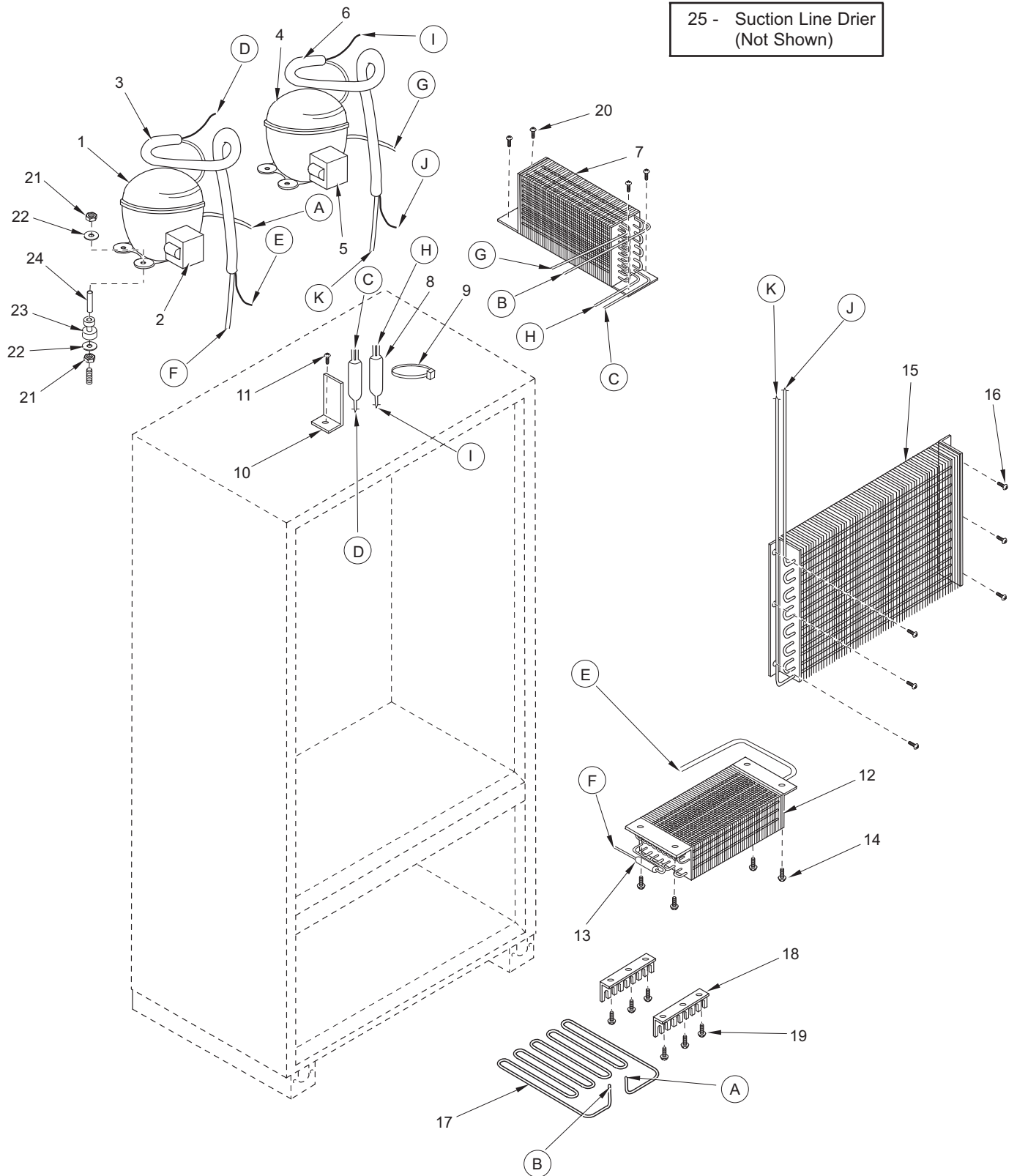
611G MECHANICAL VIEW



611G SEALED SYSTEM PARTS LIST

<u>Ref #</u>	<u>Part #</u>	<u>Description</u>
1	4202280	Compressor, (EMI60HER)
2	3111460	Relay, (1351408 - for EMI60HER)
	3111470	Overload, (4TM757NFB - for EMI60HER)
3	4251350	Heat Exchanger, Freezer
4	4201880	Compressor, Refrig. (EMI30HER)
5	3111370	Relay, (1351400 - for EMI30HER)
	3111410	Overload, (4TM734LFB - for EMI30HER)
6	4251550	Heat Exchanger, Refrigerator
7	3120330	Condenser, Dual
8	3014230	Filter-Drier, High Side
9	6120170	Locking Cable Tie, Red, 11-1/2"
10	0168040	Drier Bracket
11	6201270	Screw, #8-18 x 5/8" PH PN SS-Gnd
12	3130600	Evaporator Coil, Fre
13	3011130	Freezer Accumulator
14	6200120	Screw, #10-12 x 1/2" Truss HD
15	3130630	Evaporator, Ref
16	6201270	Screw, #8-18 x 5/8" PH PN SS-Gnd
17	2600138	Drain Pan Heater Loop
18	3421410	Drain Pan Heater Loop Support
19	6200010	Screw, #10-12 x 3/4" Pan HD
20	6200010	Screw, #10-12 x 3/4" Pan HD
21	6150220	Nut, 5/16-18 Hex Zinc
22	6240050	Flat Washer, 5/16"
23	3150010	Rubber Grommet, Small, 5/8"
	3150170	Rubber Grommet, Large, 15/16"
24	6160030	Spacer, 5/16 x 7/16 x 5/8"
	6160070	Sleeve, 5/16 x 7/16 x 7/8"
25	3014100	Suction Line Drier (Service Only - Not Shown)

611G SEALED SYSTEM VIEW



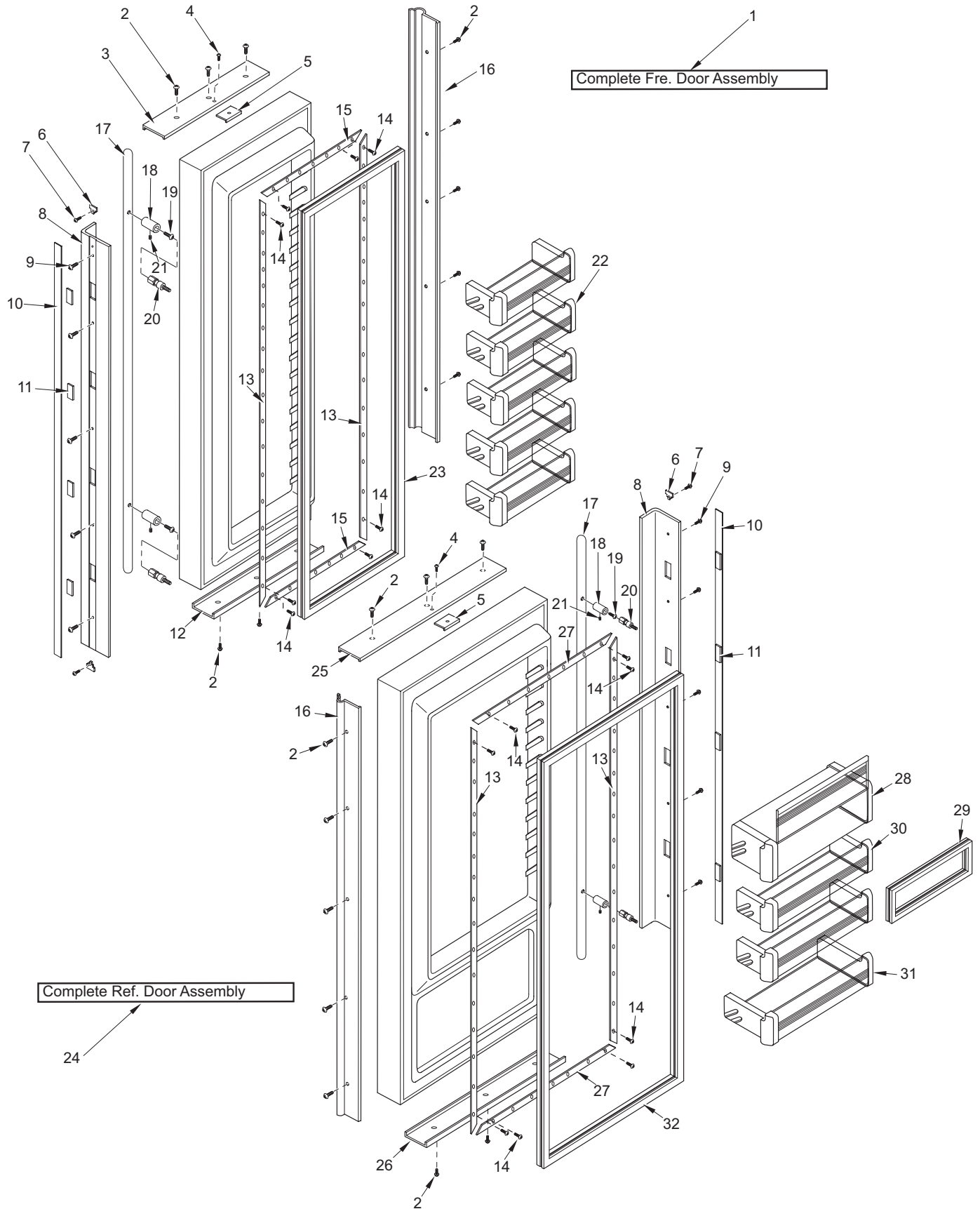


632 DOOR PARTS LIST

Ref #	Part #	Description	Ref #	Part #	Description
1	4132075	Freezer Door Assy, Frame/Overlay (See SN Breaks)	17	4132190	Handle Assy, SS Round End (Incl. Stand-offs) - (See SN Breaks)
	4132905	Freezer Door Assy, Frame/Overlay (See SN Breaks)		4133580	Handle Assy, SS Blunt (Incl Stand-offs) (See SN Breaks)
	4132495	Fre Door Assy, SS (See SN Breaks)		4133730	Handle Assy, SS OBR Standoffs (See SN Breaks)
	4134565	Fre Door Assy, SS (See SN Breaks)	18	3511320	Handle Stand-off 1"D (See SN Breaks)
2	6200720	Screw, #8-18 x 1/2 PH Truss HD		3512150	Standoff, SS Oval (See SN Breaks)
3	2230603	Door Trim, Top; Freezer	19	6110540	Bolt, #10-24 x 1/2 Flat Socket HD
4	6200720	Screw, #8-18 x 1/2 PH Truss HD	20	3511330	Handle Mounting Stud
5	4200940	Switch Depressor (Includes Screw)	21	6110730	Set Screw #10-32 X 1/4 SS Cone
6	3413340	Handle/Trim End Cap	22	4330460	Fre Door Shelf Assy (See SN Breaks)
7	6180160	Rivet, Open End Blind, 1/8 x 3/16		4330660	Fre Door Shelf Assy (See SN Breaks)
8	4132220	Door Handle Assembly (Framed)	23	3211090	Door Gasket, Fre (See SN Breaks)
	4132320	Handle-Side Door Trim (Overlay)		3212090	Door Gasket, Fre (See SN Breaks)
9	6201300	Tapping Screw, #8 x 1/2	24	4132935	Refrigerator Door Assy, Frame/Overlay
10	4131860	Handle/Trim Molding Assy		4134555	Refrigerator Door Assy, SS
11	3451000	Magnet, Trim Strip - 3"	25	2230601	Door Trim, Top; Refrigerator
12	2230604	Door Trim, Bottom; Freezer	26	2230602	Door Trim, Bottom; Refrigerator
13	3420260	Gasket Retainer, 66.875"	27	3420200	Gasket Retainer, 27.062"
14	6200410	Screw, #8 x 1/2 Slot Head Hex	28	4330450	Dairy Compartment Assy
15	3420140	Gasket Retainer, 16.125"	29	3211830	Dairy Compartment Gasket
16	3511130	Door Trim, Hinge Side - (SS Model)	30	4330470	Refrig. Door Shelf Assy
	3511131	Door Trim, Hinge Side - Mitered Corner	31	4330520	Gallon Door Shelf Assy (Sales Acc.)
			32	3212110	Door Gasket, Refrigerator



632 DOOR VIEW



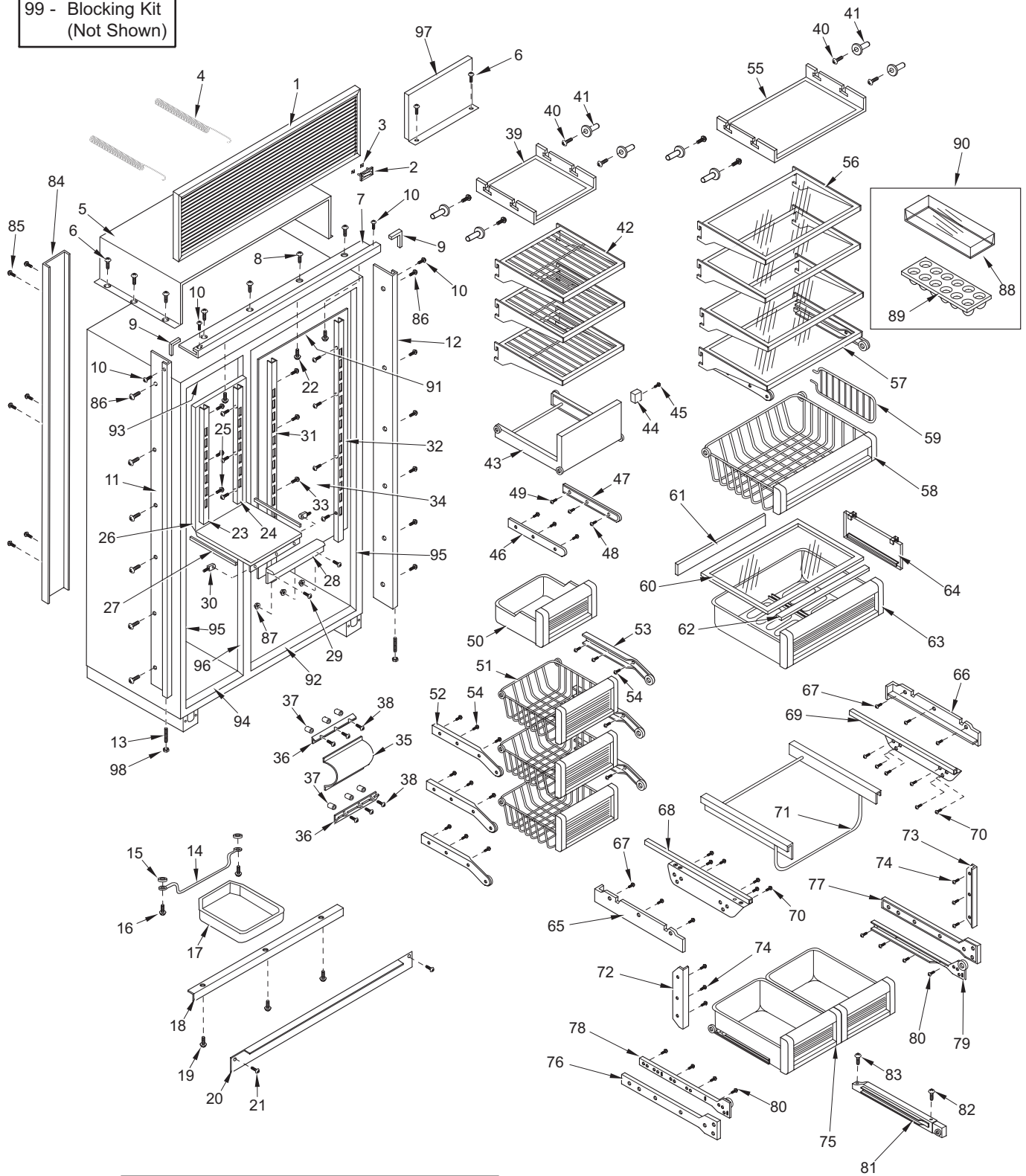


632 COSMETIC PARTS LIST

Ref #	Part #	Description	Ref #	Part #	Description
1	6LG4811	Louvered Grille Assy, 48" x 11"	46	3410932	Ice Bucket Slide, Left
	6PG4811	Panel Grille Assy, 48" x 11"	47	3410931	Ice Bucket Slide, Right
	6SG4811	SS Grille 48" x 11" (See SN Breaks)	48	6200450	Screw, #8 x 1" Type AR Flat
	6SG4811/S	SS Grille,48X11-CLSC (See SN Breaks)	49	6200710	Screw, #8-18 x 3/8" Fillister HD
2	3580230	Nameplate w/ Pegs	50	4181580	Ice Bucket Assy (See SN Breaks)
	3580210	Name Plate, Stick-on		4181830	Ice Bucket Assy (See SN Breaks)
3	6150140	Spring Grip Nut, 1/8"	51	4181570	Freezer Basket Assy (See SN Breaks)
4	3450900	Grille Spring		4181820	Freezer Basket Assy (See SN Breaks)
5	4281040	Unit Shroud Assy	52	4180972	Fre Bskt Slide Assy-LH (See SN Breaks)
6	6201270	Screw, #8-18 x 5/8" PH PN SS-Gnd		4181842	Fre Bskt Slide Assy-LH (See SN Breaks)
7	2229702	Main Frame, Top (See SN Breaks)	53	4180971	Fre Bskt Slide Assy-RH (See SN Breaks)
	2229709	Main Frame, Top (See SN Breaks)		4181841	Fre Bskt Slide Assy-RH (See SN Breaks)
8	6200010	Screw, #10-12 x 3/4 Pan HD	54	6200450	Screw, #8 x 1" Type AR Flat
9	2210701	Main Frame Angle	55	4161520	Refrig. Light Diffuser Assembly
10	6200070	Screw, #4-24 x 3/8 Flat HD	56	3601891	Glass Shelf, Spill Proof
11	4120590	Main Frame Assy, Left (See SN Breaks)	57	4181560	Refrig. Roll-out Shelf Assy
	4120830	Main Frame Assy, Left (See SN Breaks)	58	4181540	Refrig. Roll-out Basket Assy
12	4120580	Main Frame Assy,Right (See SN Breaks)	59	3411160	Ref Roll-Out Bskt Divider
	4120820	Main Frame Assy,Right (See SN Breaks)	60	4151770	Crisper Glass Assembly (Incl Seals)
13	3550190	Bottom Hinge Stud	61	3211770	Crisper Glass Seal, Rear
14	3420760	Drain Pan Holder	62	3211740	Crisper Glass Seal, Front
15	3420670	Screw Spacer	63	4181460	High Humidity Drawer Assembly
16	6201060	Screw, #8 x 1-1/4 Ph Flat Tap	64	3413100	Drawer Divider
17	0164940	Drain Pan	65	3421711	Top Crspr Glass Support, Narrow-RH
18	0169970	Kickplate Support	66	3421721	Top Crisper glass Support, Wide-RH
19	6200010	Screw, #10-12 x 3/4 Pan HD	67	6201130	Screw, #8x 1/2" PH FL HD SS
20	0260150	Kickplate, Black-Solid	68	4181421	Top Crisper Slide Assy, Narrow-RH
	0167810	Kickplate, Stainless Steel	69	4181411	Top Crisper Slide Assembly, Wide-RH
21	6200050	Screw, #10-12 x 1/2 Pan HD	70	6201270	Screw, #8-18 x 5/8" PH PN SS-Gnd
	6200720	Screw, #8-18 x 1/2 PH Truss HD	71	3421760	Humidity Drawer Slide-Frame
22	6201310	Screw, #8 x 1-3/4" Flat PH HD	72	3421732	Crisper Filler Strip, Wide
23	3601852	Fre Shelf Ladder, Lft (See SN Breaks)	73	3421731	Crisper Filler Strip, Narrow
	3602252	Fre Shelf Ladder, Lft (See SN Breaks)	74	6201270	Screw, #8-18 x 5/8" PH PN SS-Gnd
24	3601851	Fre Shelf Ladder, Right (See SN Breaks)	75	4181490	Small Storage Drawer Assembly
	3602251	Fre Shelf Ladder, Right (See SN Breaks)	76	3421691	Bot Crisper Slide Support, Narrow
25	6200710	Screw, #8-18 x 3/8 Fillister HD	77	3421692	Bot Crisper Slide Support, Wide
26	0233890	Freezer Duct/Shelf (See SN Breaks)	78	3413112	Bot Crisper Slide, Cabinet - Left
	0234370	Freezer Duct/Shelf (See SN Breaks)	79	3413111	Bot Crisper Slide, Cabinet - Right
27	3210830	Evaporator Shelf Seal (See SN Breaks)	80	6201230	Screw, #8 x 7/8" w/a #7 PH FT Head
	3212060	Evaporator Shelf Seal (See SN Breaks)	81	4181430	Center Crisper Slide Assembly
28	3413020	Evaporator Shelf Front (See SN Breaks)	82	6201120	Screw, #8-18 x 1.75 Truss SS
	3413740	Evaporator Shelf Front (See SN Breaks)	83	6200130	Screw, #8-18 x 3/4" Truss HD
29	6201290	Screw, #8-15 PH PN HD SS	84	0168120	Back Duct (See SN Breaks)
30	6220070	Support, .44 x .63 x 1.53"		0169600	Back Duct (See SN Breaks)
31	3601812	Refrig. Shelf Ladder, Left	85	6201060	Screw, #8x1-1/4" Ph Flat Tap
32	3601811	Refrig. Shelf Ladder, Right	86	6200210	Screw, #8-32 x 1/2" Flat Head
33	6200710	Screw, #8-18 x 3/8" Fillister HD	87	6150820	Palnut, .25
34	0200830	Refrig Evap Cover (See SN Breaks)	88	3412280	Egg Tray Cover
	0201160	Refrig Evap Cover (See SN Breaks)	89	3412270	Egg Tray
35	3500600	Fre Lower Light Diffuser	90	4131810	Egg Tray with Cover
36	0234110	Fre Lwr Light Diff Rtnr (See SN Breaks)	91	2811201	Breaker Strip, Ref. Top (See SN Breaks)
	0234380	Fre Lwr Light Diff Rtnr (See SN Breaks)	92	2811202	Breaker Strip, Ref Bot (See SN Breaks)
37	6220340	Screw Grommet / Stand-off	93	2811203	Breaker Strip, Fre Top (See SN Breaks)
38	6201010	Screw, #8-15 x 2" Pan Head	94	2811204	Breaker Strip, Fre Bot (See SN Breaks)
39	4160820	Fre Light Diffuser Assy (See SN Breaks)		4203910	Patch, Fre Face Frm Sill (See SN Breaks)
	4161440	Fre Light Diffuser Assy (See SN Breaks)	95	2811205	Brkr Strp, Fre/LS, Ref/RS(See SN Breaks)
40	6201330	Screw, #8-18 x 5/8" PH PN SS-Gnd	96	1811300	Breaker Strip, Mullion (See SN Breaks)
41	3520420	Insert / Diffuser Stand-off	97	4280950	Compressor Shroud Assembly
42	3601870	Freezer Wire Shelf (See SN Breaks)	98	6150200	Nut, 1/4-20 Hex
	3602200	Freezer Wire Shelf (See SN Breaks)	99	4201330	Blocking Components; 48"
43	4180830	Ice Bkt Carriage Assy (See SN Breaks)	100	3411890	Shim, Fre. Basket Slide (See SN Breaks)
	4181920	Ice Bkt Carriage Assy (See SN Breaks)		3121120	Shim, Fre. Basket Slide (See SN Breaks)
44	3421090	IM Carriage Guide	101	3411970	Shim, Ice Bucket Slide
45	6200340	Screw, #6-20 x 1/2" Pan Head			

632 COSMETIC VIEW

99 - Blocking Kit
(Not Shown)



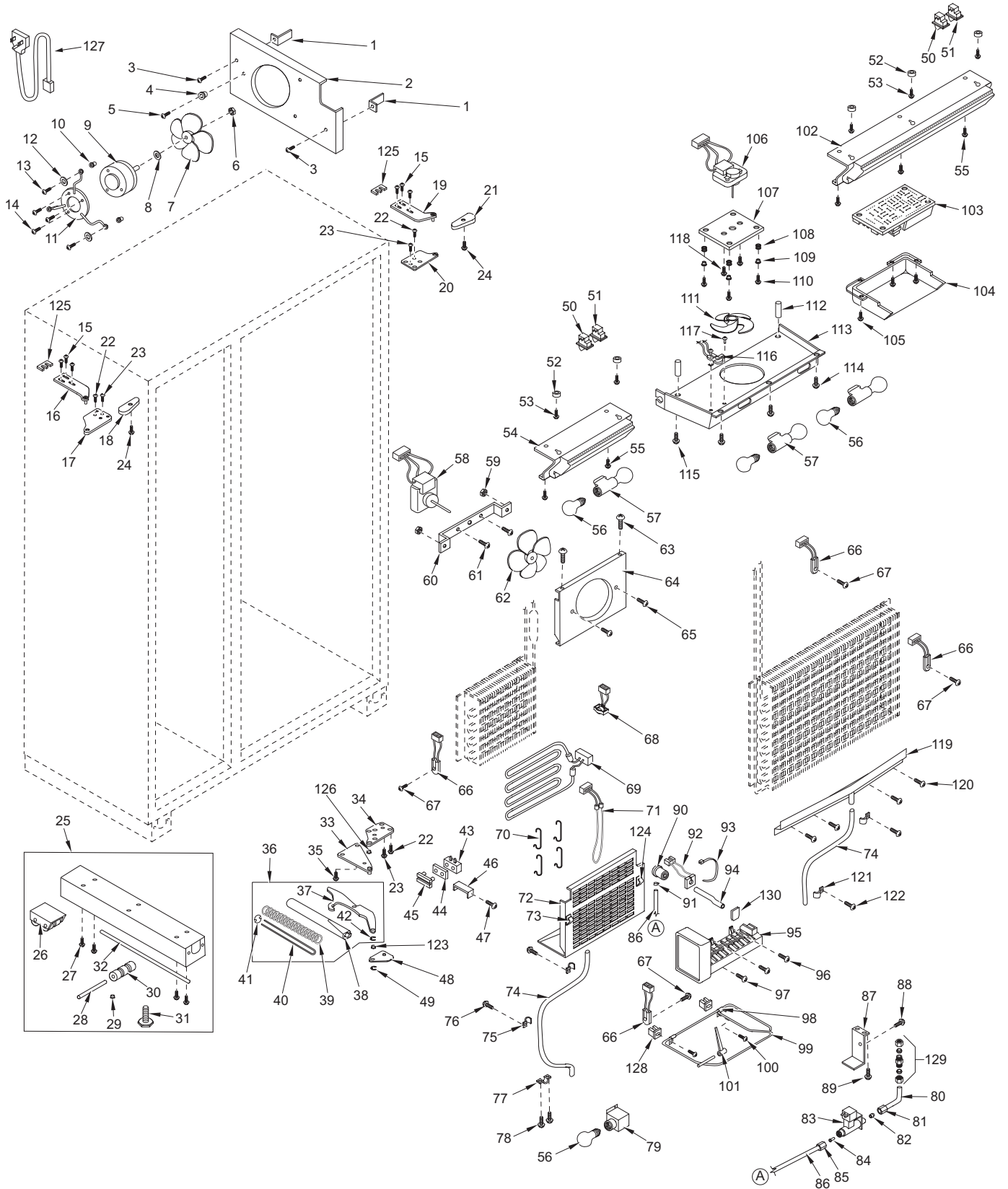
100 - Shim, Freezer Basket Slide (Not Shown)
101 - Shim, Ice Bucket Slide (Not Shown)



632 MECHANICAL PARTS LIST

Ref #	Part #	Description	Ref #	Part #	Description
1	3450290	Angle Bracket	65	6110020	Bolt, #10-24 x 3/8" Truss HD
2	0169980	Condenser Fan Shroud	66	3014350	Thermistor
3	6200010	Screw, #10-12 x 3/4" Pan HD	67	6201270	Screw, #8-18 x 5/8" PH PN SS-Gnd
4	3420670	Screw Spacer	68	3082060	Defrost Terminator
5	6200450	Screw, #8 x 1" Type AR Flat	69	4322130	Defrost Heater Assy (See SN Breaks)
6	6150410	Nut, 1/4-20		4324690	Defrost Heater Assy (See SN Breaks)
7	3150320	Fan Blade, Cond, 5 prop, 7"	70	1801100	Heater Clip
8	3210340	Neoprene Silencer, 7/8"	71	3013540	Drain Tube Heater
9	4200740	Motor Pkg, Cond Fan (blade not incl.) (See SN Breaks)	72	4151120	Fre Evap Cover Assy. (See SN Breaks)
	4200741	Motor Pkg, Cond Fan (blade not incl.) (See SN Breaks)		4151940	Fre Evap Cover Assy. (See SN Breaks)
10	6150330	Well Nut, .75D x .804", #10-32	73	6120160	Cord Clip, Plastic, 5/16 x 1/2"
11	3150650	Condenser Fan Bracket	74	1601400	Drain Tube, Wire - 1/2" x 72"
12	6240350	Fender Washer, .25x1.25x.06	75	6120050	Tube Clamp, Plastic, 5/8"
13	6201280	Machine Screw, #10-32 x 1-1/4"	76	6200010	Screw, #10-12 x 3/4" Pan HD
14	6200490	Screw, #8-32 x 3/8" Slotted Hex T25	77	6120210	U-Clamp, 5/8"
15	6110070	Bolt, 1/4-20x3/4 Spinlock Zinc	78	6200010	Screw, #10-12 x 3/4" Pan HD
16	4151272	Cabinet Hinge Assy, Upper LH	79	3050170	Light Sckt Sngl Straight (See SN Breaks)
17	4151472	Door Hinge Assy, Top LH		3050260	Socket, Light Med Base (See SN Breaks)
18	3541018	Top Cabinet Hinge Cover, LH		4161600	Light Assy, Lower Freezer
19	4151271	Cabinet Hinge Assy, Upper RH	80	2600297	Tube, Copper L-Shaped
20	4151471	Door Hinge Assy, Top RH	81	3520380	Compression Nut
21	3541017	Top Cabinet Hinge Cover, RH	82	3520370	Compression Sleeve
22	6110540	Bolt, #10-24 x 1/2" Flat Socket HD	83	4202790	Water Valve
23	6200390	Screw, #6 x 3/8" T25 Flat Head PH	84	3520050	Brass Insert, Solenoid
24	6200140	Screw, #8-15 x 3/8" Truss HD	85	3520030	Icemaker Nylon Nut, 1/4"
25	4110353	Base Assy (w/rollers)	86	2600617	Plastic Water Line
26	4110331	Base Rear Roller Assy	87	0168160	Solenoid Water Valve Bracket
27	6200010	Screw, #10-12 x 3/4" Pan HD	88	6200780	Screw, #10-24 x 1/2" PH Hex Washer
28	3550560	Straight Pin, Base Assy, .312" x 2.88"	89	6201270	Screw, #8-18 x 5/8" PH PN SS-Gnd
29	3450620	Canoe Clip	90	1607700	Water Inlet Tube
30	3421240	Cabinet Roller (Single)	91	6220470	Fill Tube Clamp
31	3570050	Leveling Leg, #18-3/8 x 1"	92	3013820	Fill Tube Heater
32	6110580	Adjusting Screw	93	6120450	Locking Cable Tie 9.7" BLK
33	4151281	Cabinet Hinge Assy, Lower RH	94	3024110	Fill Tube Extension
	4151282	Cabinet Hinge Assy, Lower LH	95	4200521	Icemaker Assembly
34	4151241	Door Hinge, Bottom RH	96	6200120	Screw, #10-12 x 1/2" Truss HD
	4151242	Door Hinge, Bottom LH	97	6200060	Screw, #8-32 x 1/2" Pan HD
35	6110070	Bolt, 1/4-20x3/4 Spinlock Zinc	98	6120280	Tube Clamp, Nylon, 3/16"
36	4201111	Door Closer Assy, RH	99	3421220	Icemaker Control Arm
	4201112	Door Closer Assy, LH	100	6200120	Screw, #10-12 x 1/2" Truss HD
37	0183111	Door Closer Arm - RH	101	3421070	Connecting Rod
	0183112	Door Closer Arm - LH	102	4160902	Control Panel Assy (See SN Breaks)
38	3421300	Door Closer Housing		4161542	Control Panel Assy (See SN Breaks)
39	3450530	Door Closer Spring	103	4202800	Control Board Pkg-Dual (See SN Breaks)
	3450710	Low Pull Door Closer Spring		4203520	Control Board Package (See SN Breaks)
40	3421290	Door Closer Linkage	104	3412790	Control Board Enclsr (See SN Breaks)
41	0165980	Door Closer Spring Retainer		3413940	Control Board Enclsr (See SN Breaks)
42	3421260	Door Closer Bearing	105	6201270	Screw, #8-18 x 5/8" PH PN SS-Gnd
43	3450570	Door Closer Cushion	106	4200170	Refrig. Fan Mtr Cmpnts (Blade not Incl.)
44	0165970	Door Closer Guide Support	107	0211620	Refrigerator Fan Brkt (See SN Breaks)
45	3421310	Door Closer Guide		0212520	Refrigerator Fan Brkt (See SN Breaks)
46	0166360	Door Stop Cushion Retainer	108	3220250	Grommet, 3/16" x 7/16" x 9/32"
47	6180010	Pop Rivet, 1/8"	109	3520410	Brass Insert, Fan
48	DS90	Door Stop - 90 Degree	110	6110270	Bolt, #10-32 x 1/4" RD HD
	DS105	Door Stop - 105 Degree	111	3150640	Fan blade, Ref/Fre Evap.
49	3450560	E - Ring, 7/16"	112	6220540	Screw Grommet / Stand-off
50	3060140	SPST Light Switch	113	4161510	Refrig. Fan Shroud Assembly
51	3060130	SPST Fan/Icemaker Switch	114	6201270	Screw, #8-18 x 5/8" PH PN SS-Gnd
52	6160240	Nylon Spacer	115	6201010	Screw, #8-15 x 2" Pan Head
53	6200720	Screw, #8-18 x 1/2 PH Truss HD	116	3082140	Light Terminator
54	4160771	Freezer Front Pnl Assy (See SN Breaks)	117	6180010	Pop Rivet, 1/8"
	4161951	Freezer Front Pnl Assy (See SN Breaks)	118	6110270	Bolt, #10-32 x 1/4" RD HD
55	6201270	Screw, #8-18 x 5/8" PH PN SS-Gnd	119	4190160	Drain Trough Assembly (See SN Breaks)
56	3030030	Light Bulb, 40 Watt		0260550	Drain Trough Assembly (See SN Breaks)
57	3050180	Light Socket, Double (See SN breaks)	120	6201270	Screw, #8-18 x 5/8" PH PN SS-Gnd
	3050250	Sckt, Light Md Base Dbl (See SN breaks)	121	6120050	Tube Clamp, Plastic, 5/8"
	4161610	Light Assy, Upper Freezer (Incl. Socket)	122	6200120	Screw, #10-12 x 1/2" Truss HD
58	4200160	Freezer Fan Motor (Blade not Incl.)	123	3450550	E-Ring / Klipping , 5/16"
59	6150030	Nut, #10-24 Hex SS	124	6120330	Wire Clip
60	0232770	Fan Bracket, Freezer	125	0168680	Shim - Hinge
61	6110270	Bolt, #10-32 x 1/4" RD HD	126	3421270	Hinge Bearing, 3/8" x 5/8"
62	3150060	Fan Blade, Freezer; 5 Prop; 5-1/2"	127	4321820	Power Cord
63	6201270	Screw, #8-18 x 5/8" PH PN SS-Gnd	128	6220220	Screw Grommet, 1/32" X 3/8" SQ.
64	0234040	Fre Evap Fan Shroud (See SN Breaks)	129	3520250	Water Inlet Fitting Assy
	0234440	Fre Evap Fan Shroud (See SN Breaks)	130	3140360	Fill Cup Plug

632 MECHANICAL VIEW

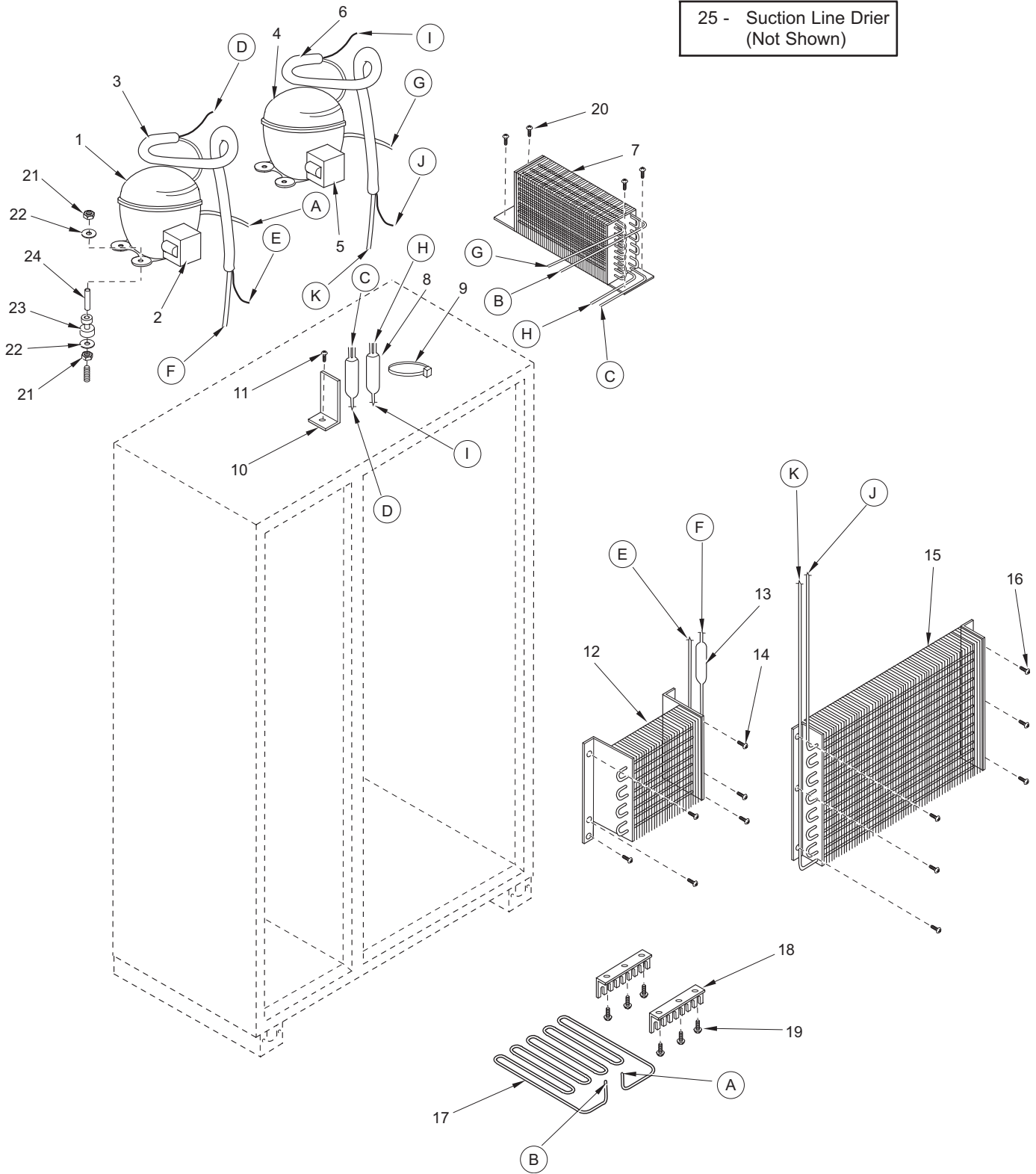


632 SEALED SYSTEM PARTS LIST

<u>Ref #</u>	<u>Part #</u>	<u>Description</u>
1	4202250	Compressor, Freezer (DA73) (See SN Breaks)
	4202280	Compressor, Freezer (EMI60HER) (See SN Breaks)
2	3111350	Relay, (8EA403) (Used with RG108 Compressor)
	3111041	Relay, (PTH490D-AS100) (Used with DA73 Compressor)
	3111460	Relay, (1351408) (Used with EMI60HER Compressor)
	3111390	Overload, (4TM419TFB) (Used with RG108 Compressor)
	3111430	Overload, (4TM419MFB) (Used with DA73 Compressor)
	3111470	Overload, (4TM757NFB) (Used with EMI60HER Compressor)
	3111133	Capacitor,(15Mf) (Used with RG108 Compressor)
	3111070	Running Capacitor, (12Mf) (Used with DA73 Compressor)
3	4251260	Heat Exchanger, Freezer
4	4201880	Compressor, Refrig. (EMI30HER
5	3111370	Relay, (1351400 - For EMI30HER Comp)
	3111410	Overload, (4TM734LFB - For EMI30HER Comp)
6	4251300	Heat Exchanger, Refrigerator
7	3120330	Condenser, Dual
8	3014230	Filter-Drier, High Side
9	6120170	Locking Cable Tie, Red, 11-1/2"
10	0168040	Drier Bracket
11	6201270	Screw, #8-18 x 5/8" PH PN SS-Gnd
12	3130470	Evaporator Coil, Fre (See SN Breaks)
	3130530	Evaporator Coil, Fre (See SN Breaks)
13	3011130	Freezer Accumulator
14	6201270	Screw, #8-18 x 5/8" PH PN SS-Gnd
15	3130260	Evaporator, Refrig.
16	6201270	Screw, #8-18 x 5/8" PH PN SS-Gnd
17	2600138	Drain Pan Heater Loop
18	3421410	Drain Pan Heater Loop Support
19	6200010	Screw, #10-12 x 3/4" Pan HD
20	6200010	Screw, #10-12 x 3/4" Pan HD
21	6150220	Nut, 5/16-18 Hex Zinc
22	6240050	Flat Washer, 5/16"
23	3150010	Rubber Grommet, Small, 5/8"
	3150170	Rubber Grommet, Large, 15/16"
24	6160030	Spacer, 5/16 x 7/16 x 5/8"
	6160070	Sleeve, 5/16 x 7/16 x 7/8"
25	3014100	Suction Line Drier (Service Only)

632 SEALED SYSTEM VIEW

25 - Suction Line Drier
(Not Shown)



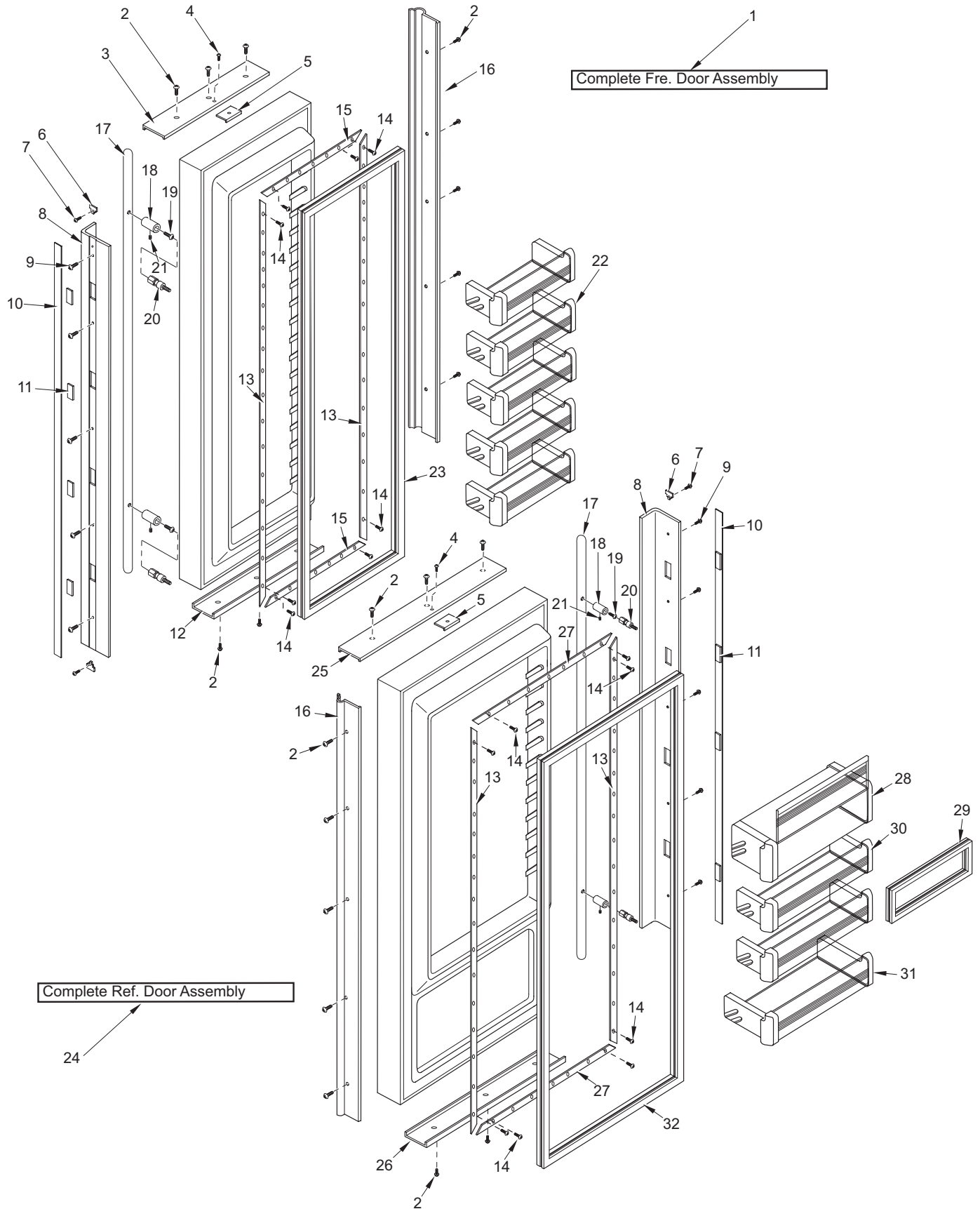


642 DOOR PARTS LIST

Ref #	Part #	Description	Ref #	Part #	Description
1	4132055	Freezer Door Assy, Frame/Overlay (See SN Breaks)	17	4132190	Handle Assy, SS Round End (Incl. Stand-offs) - (See SN Breaks)
	4133175	Freezer Door Assy, Frame/Overlay (See SN Breaks)		4133580	Handle Assy, SS Blunt (Incl Stand-offs) (See SN Breaks)
	4132565	Fre Door Assy, SS (See SN Breaks)		4133730	Handle Assy, SS OBR Standoffs (See SN Breaks)
	4133235	Fre Door Assy, SS (See SN Breaks)			
2	6200720	Screw, #8-18 x 1/2 PH Truss HD	18	3511320	Handle Stand-off 1"D (See SN Breaks)
3	2230617	Door Trim, Top; Freezer		3512150	Standoff, SS Oval (See SN Breaks)
4	6200720	Screw, #8-18 x 1/2 PH Truss HD	19	6110540	Bolt, #10-24 x 1/2 Flat Socket HD
5	4200940	Switch Depressor (Includes Screw)	20	3511330	Handle Mounting Stud
6	3413340	Handle/Trim End Cap	21	6110730	Set Screw #10-32 X 1/4 SS Cone
7	6180160	Rivet, Open End Blind, 1/8 x 3/16	22	4330580	Fre Door Shelf Assy (See SN Breaks)
8	4132220	Door Handle Assembly (Framed)		4330650	Fre Door Shelf Assy (See SN Breaks)
	4132320	Handle-Side Door Trim (Overlay)	23	3211670	Door Gasket, Fre (See SN Breaks)
9	6201300	Tapping Screw, #8 x 1/2		3212190	Door Gasket, Fre (See SN Breaks)
10	4131860	Handle/Trim Molding Assy	24	4133155	Refrigerator Door Assy, Frame/Overlay
11	3451000	Magnet, Trim Strip - 3"		4133225	Refrigerator Door Assy, SS
12	2230618	Door Trim, Bottom; Freezer	25	2230615	Door Trim, Top; Refrigerator
13	3420260	Gasket Retainer, 66.875"	26	2230616	Door Trim, Bottom; Refrigerator
14	6200410	Screw, #8 x 1/2 Slot Head Hex	27	3421620	Gasket Retainer, 23.125"
15	3421610	Gasket Retainer, 13.813"	28	4330560	Dairy Compartment Assy
16	3511130	Door Trim, Hinge Side - (SS Model)	29	3211850	Dairy Compartment Gasket
	3511131	Door Trim, Hinge Side - Mitered Corner	30	4330530	Refrig. Door Shelf Assy
			31	4330540	Gallon Door Shelf Assy (Sales Acc.)
			32	3212180	Door Gasket, Refrigerator



642 DOOR VIEW





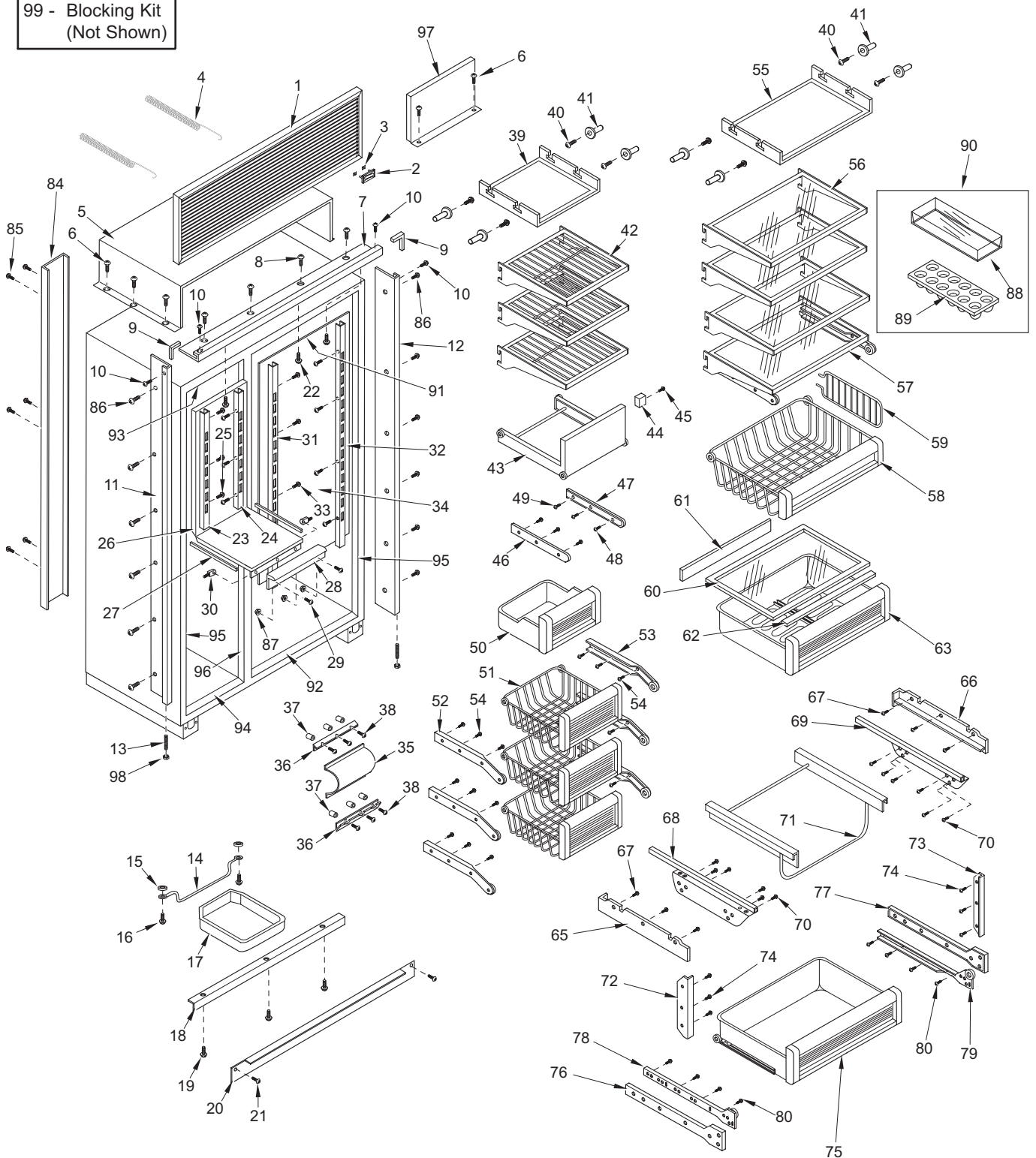
642 COSMETIC PARTS LIST

Ref #	Part #	Description	Ref #	Part #	Description
1	6LG4211	Louvered Grille Assy, 42" x 11"	45	6200340	Screw, #6-20 x 1/2" Pan Head
	6PG4211	Panel Grille Assy, 42" x 11"	46	3410932	Ice Bucket Slide, Left
	6SG4211	SS Grille Assy, 42 x 11 (See SN Breaks)	47	3410931	Ice Bucket Slide, Right
	6SG4211/S	SS Grille,42X11-CLSC (See SN Breaks)	48	6200450	Screw, #8 x 1" Type AR Flat
2	3580230	Nameplate w/ Pegs	49	6200710	Screw, #8-18 x 3/8" Fillister HD
	3580210	Name Plate, Stick-on	50	4181500	Ice Bucket Assy (See SN Breaks)
3	6150140	Spring Grip Nut, 1/8"		4181960	Ice Bucket Assy (See SN Breaks)
4	3450900	Grille Spring	51	4181640	Freezer Basket Assy (See SN Breaks)
5	4280940	Unit Shroud Assy		4181970	Freezer Basket Assy (See SN Breaks)
6	6201270	Screw, #8-18 x 5/8" PH PN SS-Gnd	52	4180972	Fre Bskt Slide Assy-LH (See SN Breaks)
7	2229703	Main Frame, Top (See SN Breaks)		4181842	Fre Bskt Slide Assy-LH (See SN Breaks)
	2229708	Main Frame, Top (See SN Breaks)	53	4180971	Fre Bskt Slide Assy-RH (See SN Breaks)
8	6200010	Screw, #10-12 x 3/4 Pan HD		4181841	Fre Bskt Slide Assy-RH (See SN Breaks)
9	2210701	Main Frame Angle	54	6200450	Screw, #8 x 1" Type AR Flat
10	6200070	Screw, #4-24 x 3/8 Flat HD	55	4161990	Refrig. Light Diffuser Assembly
11	4120590	Main Frame Assy, Left (See SN Breaks)	56	3602042	Glass Shelf, Spill Proof
	4120830	Main Frame Assy, Left (See SN Breaks)	57	4181650	Refrig. Roll-out Shelf Assy
12	4120580	Main Frame Assy,Right (See SN Breaks)	58	4181530	Refrig. Roll-out Basket Assy
	4120820	Main Frame Assy,Right (See SN Breaks)	59	3411160	Ref Roll-Out Bskt Divider
13	3550190	Bottom Hinge Stud	60	4151760	Crisper Glass Assembly (Incl Seals)
14	3420760	Drain Pan Holder	61	3211780	Crisper Glass Seal, Rear
15	3420670	Screw Spacer	62	3211750	Crisper Glass Seal, Front
16	6201060	Screw, #8 x 1-1/4 Ph Flat Tap	63	4181450	High Humidity Drawer Assembly
17	0164940	Drain Pan	64	N/A	
18	0167900	Kickplate Support (See SN Breaks)	65	3421711	Top Crspr Glass Support, Narrow-RH
	0260700	Kickplate Support (See SN Breaks)	66	3421721	Top Crisper glass Support, Wide-RH
19	6200010	Screw, #10-12 x 3/4 Pan HD	67	6201130	Screw, #8x 1/2" PH FL HD SS
20	0169820	Kickplate, Black-Solid	68	4181421	Top Crisper Slide Assy, Narrow-RH
	0168210	Kickplate, Stainless Steel	69	4181411	Top Crisper Slide Assembly, Wide-RH
21	6200050	Screw, #10-12 x 1/2 Pan HD	70	6201270	Screw, #8-18 x 5/8" PH PN SS-Gnd
	6200720	Screw, #8-18 x 1/2 PH Truss HD	71	3421780	Humidity Drawer Slide-Frame
22	6201310	Screw, #8 x 1-3/4" Flat PH HD	72	3421732	Crisper Filler Strip, Wide
23	3601852	Fre Shelf Ladder, Left (See SN Breaks)	73	3421731	Crisper Filler Strip, Narrow
	3602252	Fre Shelf Ladder, Left (See SN Breaks)	74	6201270	Screw, #8-18 x 5/8" PH PN SS-Gnd
24	3601851	Fre Shelf Ladder, Right (See SN Breaks)	75	4181480	Small Storage Drawer Assembly
	3602251	Fre Shelf Ladder, Right (See SN Breaks)	76	3421691	Bot Crisper Slide Support, Narrow
25	6200710	Screw, #8-18 x 3/8 Fillister HD	77	3421692	Bot Crisper Slide Support, Wide
26	0234080	Freezer Duct/Shelf (See SN Breaks)	78	3413112	Bot Crisper Slide, Cabinet - Left
	0234830	Freezer Duct/Shelf (See SN Breaks)	79	3413111	Bot Crisper Slide, Cabinet - Right
27	3210830	Evaporator Shelf Seal (See SN Breaks)	80	6201230	Screw, #8 x 7/8" w/a #7 PH FT Head
	3212060	Evaporator Shelf Seal (See SN Breaks)	81	N/A	
28	3413200	Evaporator Shelf Front (See SN Breaks)	82	N/A	
	3413930	Evaporator Shelf Front (See SN Breaks)	83	N/A	
29	6201290	Screw, #8-15 PH PN HD SS	84	0168120	Back Duct (See SN Breaks)
30	6220070	Support, .44 x .63 x 1.53"		0169600	Back Duct (See SN Breaks)
31	3601812	Refrig. Shelf Ladder, Left	85	6201060	Screw, #8x1-1/4" Ph Flat Tap
32	3601811	Refrig. Shelf Ladder, Right	86	6200210	Screw, #8-32 x 1/2" Flat Head
33	6200710	Screw, #8-18 x 3/8" Fillister HD	87	6150820	Palnut, .25
34	0200860	Refrig Evap Cover (See SN Breaks)	88	3412280	Egg Tray Cover
	0201270	Refrig Evap Cover (See SN Breaks)	89	3412270	Egg Tray
35	3500600	Fre Lwr Light Diffuser (See SN Breaks)	90	4131810	Egg Tray with Cover
	3500690	Fre Lwr Light Diffuser (See SN Breaks)	91	2811217	Breaker Strip, Ref. Top (See SN Breaks)
36	0234110	Fre Lwr Light Diff Rtnr (See SN Breaks)	92	2811218	Breaker Strip, Ref Bot (See SN Breaks)
	0235130	Fre Lwr Light Diff Rtnr (See SN Breaks)	93	2811219	Breaker Strip, Fre Top (See SN Breaks)
37	6220340	Screw Grommet / Stand-off	94	2811220	Breaker Strip, Fre Bot (See SN Breaks)
38	6201010	Screw, #8-15 x 2" Pan Head		4203920	Patch, Fre Face Frm Sill (See SN Breaks)
39	4161020	Fre Light Diffuser Assy (See SN Breaks)	95	2811205	Brkr Strp, Fre/LS, Ref/RS (See SN Breaks)
	4162050	Fre Light Diffuser Assy (See SN Breaks)	96	1811300	Breaker Strip, Mullion (See SN Breaks)
40	6201330	Screw, #8-18 x 5/8" PH PN SS-Gnd	97	4280950	Compressor Shroud Assembly
41	3520420	Insert / Diffuser Stand-off	98	6150200	Nut, 1/4-20 Hex
42	3601980	Freezer Wire Shelf (See SN Breaks)	99	4202860	Blocking Components; 42"
	3602210	Freezer Wire Shelf (See SN Breaks)	100	3411890	Shim, Fre Basket Slide (See SN Breaks)
43	4181660	Ice Bkt Carriage Assy (See SN Breaks)		2121120	Shim, Fre Basket Slide (See SN Breaks)
	4181980	Ice Bkt Carriage Assy (See SN Breaks)	101	3411970	Shim, Ice Bucket Slide
44	3421090	IM Carriage Guide			



642 COSMETIC VIEW

99 - Blocking Kit
(Not Shown)

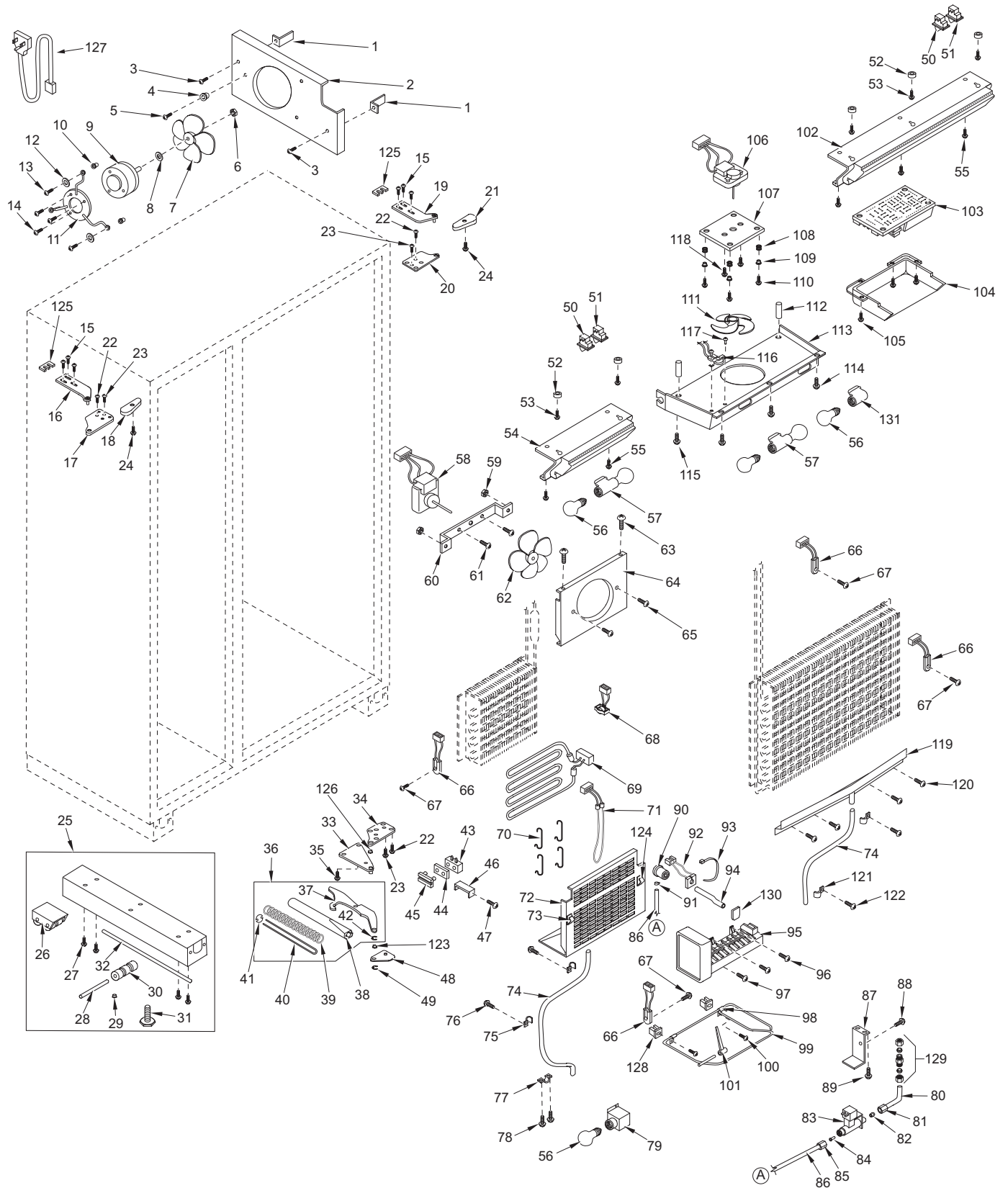


100 - Shim, Freezer Basket Slide (Not Shown)
101 - Shim, Ice Bucket Slide (Not Shown)

642 MECHANICAL PARTS LIST

Ref #	Part #	Description	Ref #	Part #	Description
1	3450290	Angle Bracket	67	6201270	Screw, #8-18 x 5/8" PH PN SS-Gnd
2	0169510	Condenser Fan Shroud	68	3082060	Defrost Terminator
3	6200010	Screw, #10-12 x 3/4" Pan HD	69	4323820	Defrost Heater Assy (See SN Breaks)
4	3420670	Screw Spacer		4322140	Defrost Heater Assy (See SN Breaks)
5	6200450	Screw, #8 x 1" Type AR Flat	70	1801100	Heater Clip
6	6150410	Nut, 1/4-20	71	3013540	Drain Tube Heater
7	3150320	Fan Blade, Cond, 5 prop, 7"	72	4151740	Fre Evap Cover Assy. (See SN Breaks)
8	3210340	Neoprene Silencer, 7/8"		4152040	Fre Evap Cover Assy. (See SN Breaks)
9	4200740	Motor Pkg, Cond Fan (See SN Breaks)	73	6120160	Cord Clip, Plastic, 5/16 x 1/2"
	4200741	Motor Pkg, Cond Fan (See SN Breaks)	74	1601400	Drain Tube, Wire - 1/2" x 72"
10	6150330	Well Nut, .75D x .804", #10-32	75	6120050	Tube Clamp, Plastic, 5/8"
11	3150650	Condenser Fan Bracket	76	6200010	Screw, #10-12 x 3/4" Pan HD
12	6240350	Fender Washer, .25x1.25x.06	77	6120210	U-Clamp, 5/8"
13	6201280	Machine Screw, #10-32 x 1-1/4"	78	6200010	Screw, #10-12 x 3/4" Pan HD
14	6200490	Screw, #8-32 x 3/8" Slotted Hex T25	79	3050170	Light Socket, Sngl; Strt (See SN Breaks)
15	6110070	Bolt, 1/4-20x3/4 Spinlock Zinc		3050200	Light Socket, Sngl; Strt (See SN Breaks)
16	4151272	Cabinet Hinge Assy, Upper LH		3050260	Socket, Light Med Base (See SN Breaks)
17	4151472	Door Hinge Assy, Top LH		4161600	Light Assy, Lower Freezer
18	3541018	Top Cabinet Hinge Cover, LH	80	2600297	Tube, Copper L-Shaped
19	4151271	Cabinet Hinge Assy, Upper RH	81	3520380	Compression Nut
20	4151471	Door Hinge Assy, Top RH	82	3520370	Compression Sleeve
21	3541017	Top Cabinet Hinge Cover, RH	83	4202790	Water Valve
22	6110540	Bolt, #10-24 x 1/2" Flat Socket HD	84	3520050	Brass Insert, Solenoid
23	6200390	Screw, #6 x 3/8" T25 Flat Head PH	85	3520030	Icemaker Nylon Nut, 1/4"
24	6200140	Screw, #8-15 x 3/8" Truss HD	86	2600617	Plastic Water Line
25	4110353	Base Assy (w/rollers)	87	0168160	Solenoid Water Valve Bracket
26	4110331	Base Rear Roller Assy	88	6200780	Screw, #10-24 x 1/2" PH Hex Washer
27	6200010	Screw, #10-12 x 3/4" Pan HD	89	6201270	Screw, #8-18 x 5/8" PH PN SS-Gnd
28	3550560	Straight Pin, Base Assy, .312" x 2.88"	90	1607700	Water Inlet Tube
29	3450620	Canoe Clip	91	6220470	Fill Tube Clamp
30	3421240	Cabinet Roller (Single)	92	3013820	Fill Tube Heater
31	3570050	Leveling Leg, #18-3/8 x 1"	93	6120450	Locking Cable Tie 9.7" BLK
32	6110580	Adjusting Screw	94	3024110	Fill Tube Extension
33	4151281	Cabinet Hinge Assy, Lower RH	95	4200521	Icemaker Assembly
	4151282	Cabinet Hinge Assy, Lower LH	96	6200120	Screw, #10-12 x 1/2" Truss HD
34	4151241	Door Hinge, Bottom RH	97	6200060	Screw, #8-32 x 1/2" Pan HD
	4151242	Door Hinge, Bottom LH	98	6120280	Tube Clamp, Nylon, 3/16"
35	6110070	Bolt, 1/4-20x3/4 Spinlock Zinc	99	3421630	Icemaker Control Arm
36	4201111	Door Closer Assy, RH	100	6200120	Screw, #10-12 x 1/2" Truss HD
	4201112	Door Closer Assy, LH	101	3421070	Connecting Rod
37	0183111	Door Closer Arm - RH	102	4160902	Control Panel Assy (See SN Breaks)
	0183112	Door Closer Arm - LH		4161932	Control Panel Assy (See SN Breaks)
38	3421300	Door Closer Housing	103	4202800	Control Board Pkg-Dual (See SN Breaks)
39	3450530	Door Closer Spring		4203520	Control Board Package (See SN Breaks)
	3450710	Low Pull Door Closer Spring	104	3412790	Control Board Enclsr (See SN Breaks)
40	3421290	Door Closer Linkage		3413940	Control Board Enclsr (See SN Breaks)
41	0165980	Door Closer Spring Retainer	105	6201270	Screw, #8-18 x 5/8" PH PN SS-Gnd
42	3421260	Door Closer Bearing	106	4200170	Refrig. Fan Mtr Cmpnts (Blade not Incl.)
43	3450570	Door Closer Cushion	107	0211620	Refrigerator Fan Brkt (See SN Breaks)
44	0165970	Door Closer Guide Support		0212520	Refrigerator Fan Brkt (See SN Breaks)
45	3421310	Door Closer Guide	108	3220250	Grommet, 3/16" x 7/16" x 9/32"
46	0166360	Door Stop Cushion Retainer	109	3520410	Brass Insert, Fan
47	6180010	Pop Rivet, 1/8"	110	6110270	Bolt, #10-32 x 1/4" RD HD
48	DS90	Door Stop - 90 Degree	111	3150640	Fan blade, Ref/Fre Evap.
	DS105	Door Stop - 105 Degree	112	6220540	Screw Grommet / Stand-off
49	3450560	E - Ring, 7/16"	113	4161980	Refrig. Fan Shroud Assembly
50	3060140	SPST Light Switch	114	6201270	Screw, #8-18 x 5/8" PH PN SS-Gnd
51	3060130	SPST Fan/Icemaker Switch	115	6201010	Screw, #8-15 x 2" Pan Head
52	6160240	Nylon Spacer	116	3082140	Light Terminator
53	6200720	Screw, #8-18 x 1/2 PH Truss HD	117	6180010	Pop Rivet, 1/8"
54	4160911	Freezer Front Pnl Assy (See SN Breaks)	118	6110270	Bolt, #10-32 x 1/4" RD HD
	4161951	Freezer Front Pnl Assy (See SN Breaks)	119	4190240	Drain Trough Assembly (See SN Breaks)
55	6201270	Screw, #8-18 x 5/8" PH PN SS-Gnd		0212600	Drain Trough Assembly (See SN Breaks)
56	3030030	Light Bulb, 40 Watt	120	6201270	Screw, #8-18 x 5/8" PH PN SS-Gnd
57	3050180	Light Socket, Double (See SN breaks)	121	6120050	Tube Clamp, Plastic, 5/8"
	3050250	Sckt, Light Md Base Dbl (See SN breaks)	122	6200120	Screw, #10-12 x 1/2" Truss HD
	4161610	Light Assy, Upper Freezer (Incl. Socket)	123	3450550	E-Ring / Klipring , 5/16"
58	4200160	Freezer Fan Motor (Blade not Incl.)	124	6120330	Wire Clip
59	6150030	Nut, #10-24 Hex SS	125	0168680	Shim - Hinge
60	0232770	Fan Bracket, Freezer	126	3421270	Hinge Bearing, 3/8" x 5/8"
61	6110270	Bolt, #10-32 x 1/4" RD HD	127	4321820	Power Cord
62	3150060	Fan Blade; Freezer; 5 Prop; 5-1/2"	128	6220220	Screw Grommet, 1/32" X 3/8" SQ.
63	6201270	Screw, #8-18 x 5/8" PH PN SS-Gnd	129	3520250	Water Inlet Fitting Assy
64	0234120	Fre Evap Fan Shroud (See SN Breaks)	130	3140360	Fill Cup Plug
	0234880	Fre Evap Fan Shroud (See SN Breaks)	131	3050190	Light Socket, Single (See SN Breaks)
65	6110020	Bolt, #10-24 x 3/8" Truss HD		3050230	Skt, Light M Base Sngl (See SN Breaks)
66	3014350	Thermistor			

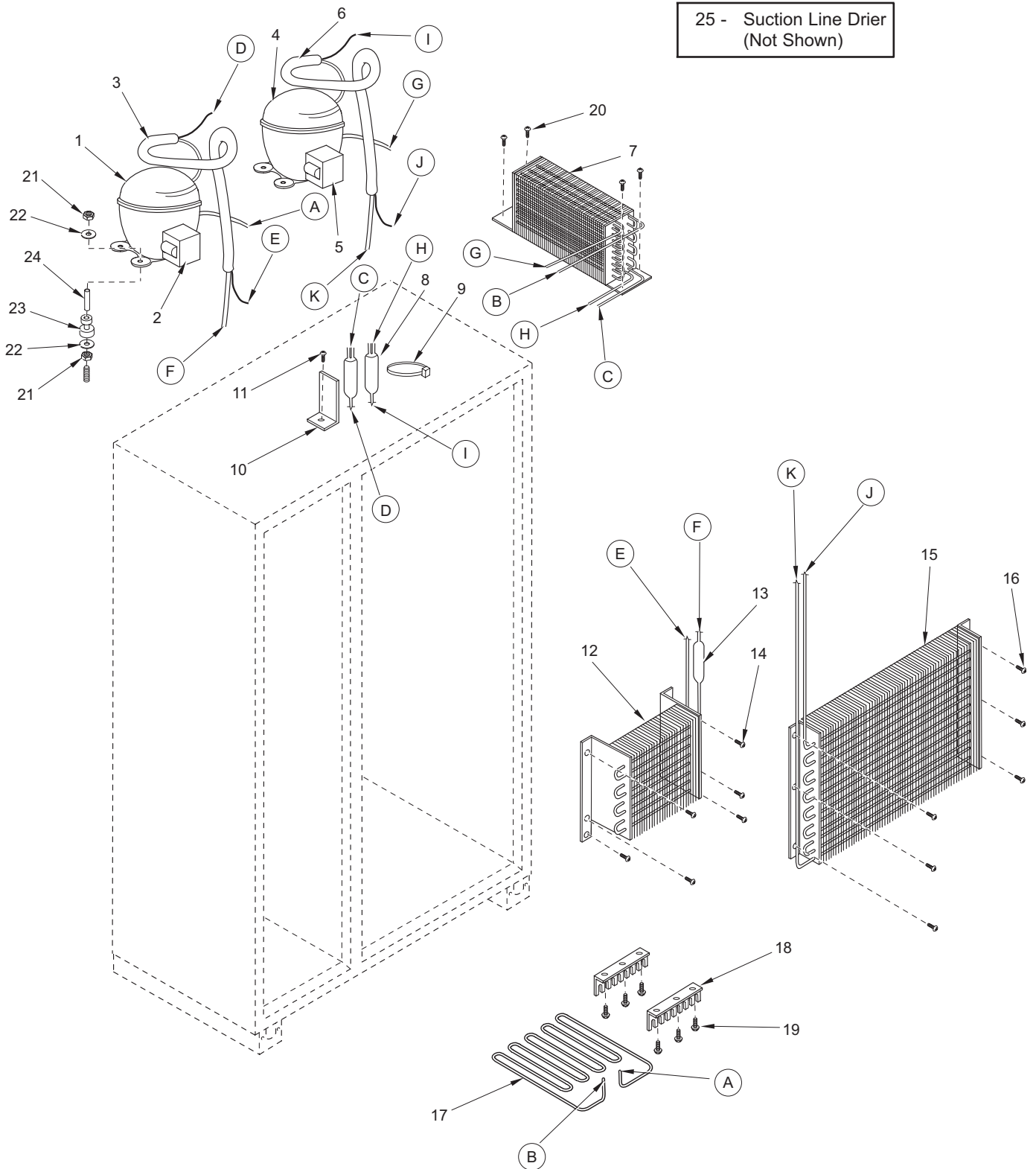
642 MECHANICAL VIEW



642 SEALED SYSTEM PARTS LIST

<u>Ref #</u>	<u>Part #</u>	<u>Description</u>
1	4202250	Compressor, Freezer (DA73) (See SN Breaks)
	4202280	Compressor, Freezer (EMI60HER) (See SN Breaks)
2	3111041	Relay, (PTH490D-AS100) (Used with DA73 Compressor)
	3111460	Relay, (1351408) (Used with EMI60HER Compressor)
	3111430	Overload, (4TM419MFB) (Used with DA73 Compressor)
	3111470	Overload, (4TM757NFB) (Used with EMI60HER Compressor)
	3111070	Running Capacitor, (12Mf) (Used with DA73 Compressor)
3	4251400	Heat Exchanger, Freezer
4	4201880	Compressor, Refrig. (EMI30HER)
5	3111370	Relay, (1351400 - For EMI30HER Comp)
	3111410	Overload, (4TM734LFB - For EMI30HER Comp)
6	4251240	Heat Exchanger, Refrigerator
7	3120330	Condenser, Dual
8	3014230	Filter-Drier, High Side
9	6120170	Locking Cable Tie, Red, 11-1/2"
10	0168040	Drier Bracket
11	6201270	Screw, #8-18 x 5/8" PH PN SS-Gnd
12	3130430	Evaporator Coil, Fre (See SN Breaks)
	3130590	Evaporator Coil, Fre (See SN Breaks)
13	3011130	Freezer Accumulator
14	6201270	Screw, #8-18 x 5/8" PH PN SS-Gnd
15	3130420	Evaporator, Refrig.
16	6201270	Screw, #8-18 x 5/8" PH PN SS-Gnd
17	2600138	Drain Pan Heater Loop
18	3421410	Drain Pan Heater Loop Support
19	6200010	Screw, #10-12 x 3/4" Pan HD
20	6200010	Screw, #10-12 x 3/4" Pan HD
21	6150220	Nut, 5/16-18 Hex Zinc
22	6240050	Flat Washer, 5/16"
23	3150010	Rubber Grommet, Small, 5/8"
	3150170	Rubber Grommet, Large, 15/16"
24	6160030	Spacer, 5/16 x 7/16 x 5/8"
	6160070	Sleeve, 5/16 x 7/16 x 7/8"
25	3014100	Suction Line Drier (Service Only)

642 SEALED SYSTEM VIEW



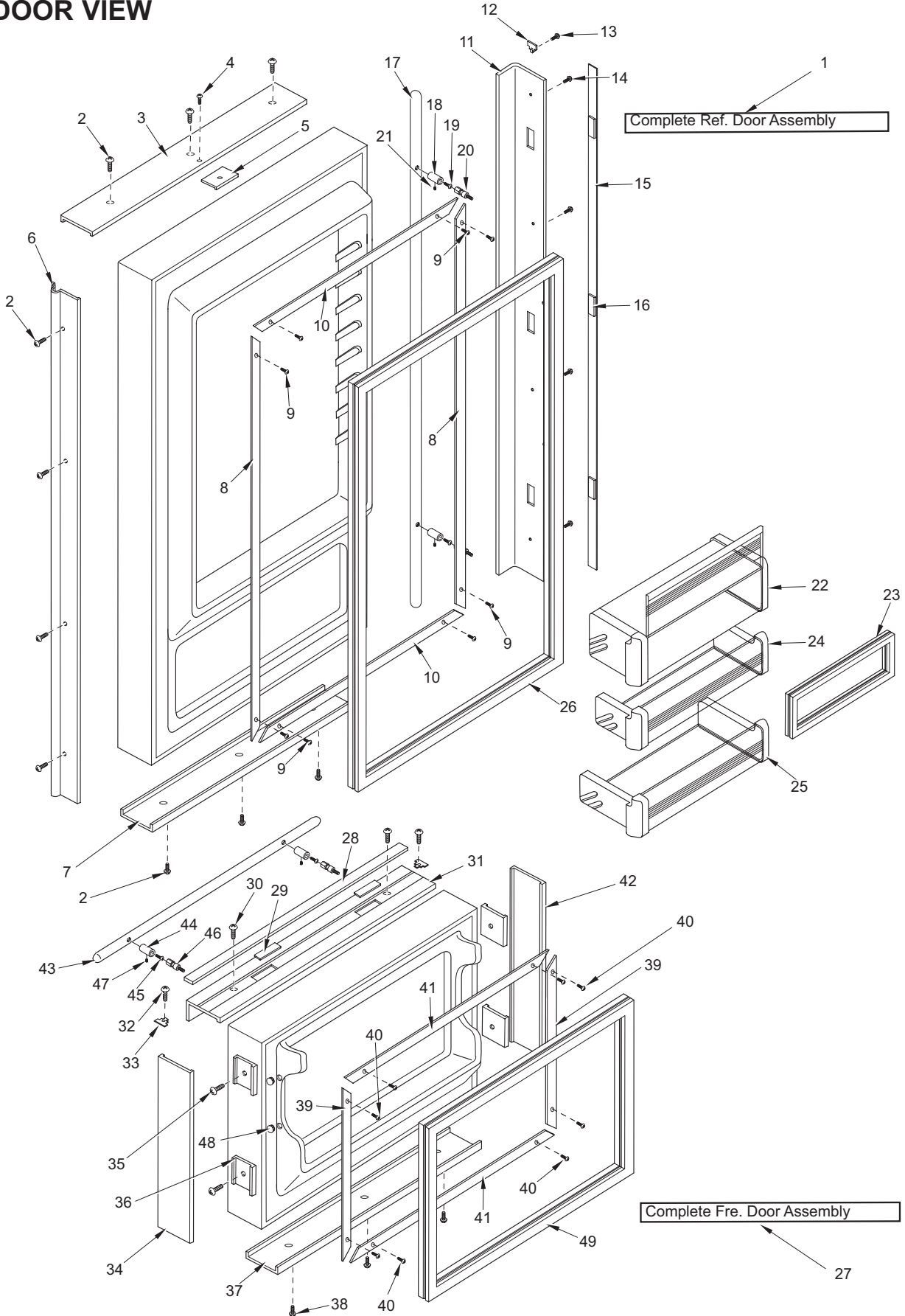


650 DOOR PARTS LIST

Ref #	Part #	Description	Ref #	Part #	Description
1	4132823	Refrig. Door Assy, Frame/Overlay - RH	25	4330530	Gallon Door Shelf Assy (Sales Acc.)
	4132824	Refrig. Door Assy Frame/Overlay - LH	26	3212130	Door Gasket, Refrigerator
	4133213	Refrig. Door Assy, SS - RH	27	4132015	Freezer Drawer Assy, Frame/Overlay (See SN Breaks)
	4133214	Refrig. Door Assy, SS - LH		4132795	Freezer Drawer Assy, Frame/Overlay (See SN Breaks)
2	6200720	Screw, #8-18 x 1/2 Ph Truss Hd		4132165	Fre Drawr Assy (SS) (See SN Breaks)
3	2230606	Refrig. Door Trim, Top - RH		4133215	Fre Drawr Assy (SS) (See SN Breaks)
	2230608	Refrig. Door Trim, Top - LH	28	4131880	Handle/Trim Molding Assy, Freezer
4	6200720	Screw, #8-18 x 1/2 Ph Truss Hd	29	3451000	Magnet, Trim Strip
5	4200940	Switch Depressor (Includes Screw)	30	6201300	Tapping Screw, #8 x 1/2
6	3511140	Door Trim, Hinge Side - (SS Model)	31	4132250	Drawer Handle Assy, Freezer (Framed)
	3511141	Door Trim, Hinge Side - Mitered Corner		4132350	Handle-Side Door Trim, Freezer (Overlay)
7	2230607	Refrig. Door Trim, Bottom - RH	32	6180160	Rivet, Open End Blind, 1/8 x 3/16
	2230609	Refrig. Door Trim, Bottom - LH	33	3413340	Handle/Trim End Cap
8	3420240	Gasket Retainer, Side Ref, 47.438	34	2230701	Fre Drawer Trim, Rt Side
9	6200410	Screw, #8 x 1/2 Slot Head Hex	35	6180040	Pop Rivet, 3/16 x 1/8 Grip
10	3420220	Gasket Retainer, 33.312"	36	3450460	Door Trim Clip
11	4132240	Door Handle Assy, Refrig. (Framed)	37	2230605	Freezer Drawer Trim, Bottom
	4132340	Handle-Side Door Trim, Ref. (Overlay)	38	6200720	Screw, #8-18 x 1/2 Ph Truss Hd
12	3413340	Handle/Trim End Cap	39	3420150	Gasket Retainer, 17.312
13	6180160	Rivet, Open End Blind, 1/8 x 3/16	40	6200410	Screw, #8 x 1/2 Slot Head Hex
14	6201300	Tapping Screw, #8 x 1/2	41	3420220	Gasket Retainer, 33.312"
15	4131870	Handle/Trim Molding Assy, Refrig.	42	2230702	Fre Drawer Trim, Lt Side
16	3451000	Magnet, Trim Strip - 3"	43	4132210	Handle Assy, Fre Drwr Rnd (Incl. Stand-offs) (See SN Breaks)
17	4132200	Handle Assy,Ref 44.125 Rnd (Incl. Stand-offs) (See SN Breaks)		4133470	Hdl Assy, Fre Drwr Blunt (Incl Stndoffs) (See SN Breaks)
	4133500	Hndl Assy,Ref 44.25 Blnt (Incl stndoffs) (See SN Breaks)		4133720	Handle Assy, Obr Standoff-Fre (See SN Breaks)
	4133700	Handle Assy, SS Obr Standoff (See SN Breaks)	44	3511320	Hndle Stand-Off 1" D (See SN Breaks)
18	3511320	Handle Stand-Off 1"D (See SN Breaks)		3512160	Stndoff,SS Oval, Drwr(See SN Breaks)
	3152150	Standoff, SS Oval (See SN Breaks)	45	6110540	Bolt, #10-24 x 1/2 Flat Socket HD
19	6110540	Bolt, #10-24 x 1/2 Flat Socket HD	46	3511520	Handle Mounting Stud
20	3511520	Handle Mounting Stud	47	6110730	Set Screw #10-32 x 1/4 SS Cone
21	6110730	Set Screw #10-32 x 1/4 SS Cone	48	3550230	White Plastic Plug, 3/4
22	4330490	Dairy Compartment Assy	49	3211110	Door Gasket, Fre. (See SN Breaks)
23	3211820	Dairy Compartment Gasket		3212120	Door Gasket, Fre. (See SN Breaks)
24	4330480	Refrig. Door Shelf Assy			



650 DOOR VIEW

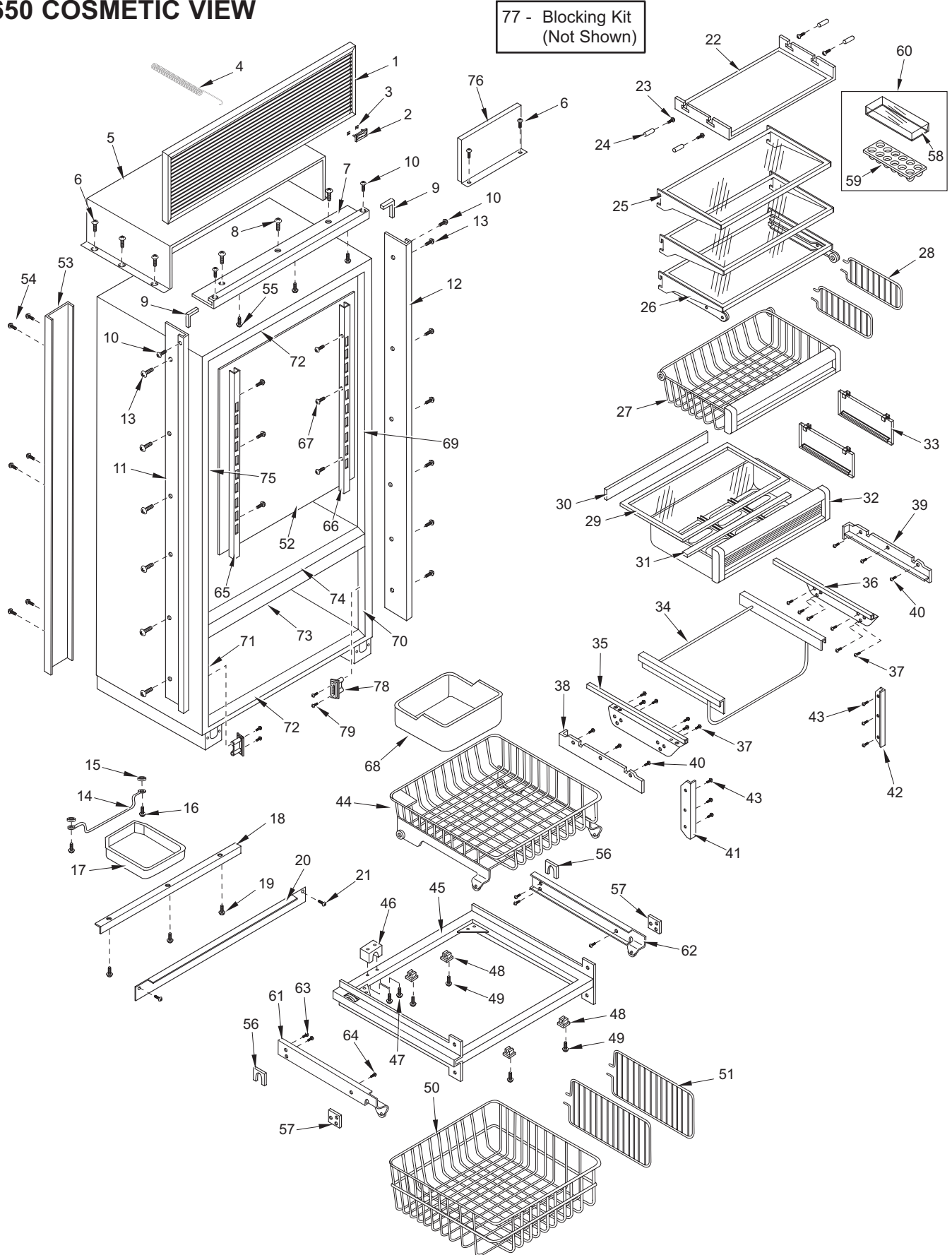




650 COSMETIC PARTS LIST

Ref #	Part #	Description	Ref #	Part #	Description
1	6LG3611	Louvered Grille Assy, 36" x 11"	38	3421711	Top Crspr Glass Support, Narrow-RH
	6PG3611	Panel Grille Assy, 36" x 11"		3421722	Top Crisper glass Support, Wide-LH
	6SG3611	SS Grille 36" x 11" (See SN Breaks)	39	3421712	Top Crisper Glass Support, Narrow-LH
	6SG3611/S	SS Grille,36X11-CLSC (See SN Breaks)		3421721	Top Crisper Glass Support, Wide-RH
2	3580230	Nameplate w/ Pegs	40	6201130	Screw, #8x 1/2" PH FL HD SS
	3580210	Name Plate, Stick-on	41	3421741	Crisper Filler Strip, Narrow (if RH)
3	6150140	Spring Grip Nut, 1/8"		3421742	Crisper Filler Strip, Wide (if LH)
4	3450900	Grille spring	42	3421741	Crisper Filler Strip, Narrow (if LH)
5	4280940	Unit Shroud Assembly		3421742	Crisper Filler Strip, Wide (if RH)
6	6201270	Screw, #8-18 x 5/8" PH PN SS-Gnd	43	6201270	Screw, #8-18 x 5/8" PH PN SS-Gnd
7	2229621	Main Frame, Top - LH (See SN Breaks)	44	4181040	Upper Fre Basket Assy (See SN Breaks)
	2229635	Main Frame, Top - LH (See SN Breaks)		4181810	Upper Fre Basket Assy (See SN Breaks)
	2229622	Main Frame, Top - RH (See SN Breaks)	45	4181050	Drawer Slide Assy, Fre (See SN Breaks)
	2229634	Main Frame, Top - RH (See SN Breaks)		4181790	Drawer Slide Assy, Fre (See SN Breaks)
8	6200010	Screw, #10-12 x 3/4" Pan HD	46	3420950	Upper Freezer Basket Restraint
9	2210701	Main Frame Angle	47	6200340	Screw, #6-20 x 1/2" Pan Head
10	6200070	Screw, #4-24 x 3/8" Flat HD	48	6220110	Screw Grommet, 1/2" x 9/16"
11	2229608	Main Frame, Left - RH (See SN Breaks)	49	6200130	Screw, #8-18 x 3/4" Truss HD
	2229632	Main Frame, Left - RH (See SN Breaks)	50	3411180	Lower Freezer Basket (See SN Breaks)
	2229613	Main Frame, Left - LH (See SN Breaks)		3413690	Lower Freezer Basket (See SN Breaks)
	2229633	Main Frame, Left - LH (See SN Breaks)	51	3411310	Lower Fre Bskt Divider (See SN Breaks)
12	2229607	Main Frame, Right - LH (See SN Breaks)		3413700	Lower Fre Bskt Divider (See SN Breaks)
	2229631	Main Frame, Right - LH (See SN Breaks)	52	0201130	Refig Evap Cover
	2229610	Main Frame, Right - RH (See SN Breaks)	53	0168120	Back Duct (See SN Breaks)
	2229630	Main Frame, Right - RH (See SN Breaks)		0169600	Back Duct (See SN Breaks)
13	6200210	Screw, #8-32 x 1/2" Flat Head	54	6201060	Screw, #8x1-1/4" PH FLAT TAP
14	3420760	Drain Pan Holder	55	6201310	Screw, #8 x 1-3/4" Flat PH HD
15	3420670	Screw Spacer	56	0232310	Drawer Slide Shim, Rear
16	6201060	Screw, #8x1-1/4" PH FLAT TAP	57	0232300	Drawer Slide Shim, Front
17	0164940	Drain Pan	58	3412280	Egg Tray Cover
18	0169590	Kickplate Support	59	3412270	Egg Tray
19	6200010	Screw, #10-12 x 3/4" Pan HD	60	4131810	Egg Tray with Cover
20	0169520	Kickplate, Solid	61	4180681	Cab Slide Assy, Fre; RT(See SN Breaks)
	0167820	Kickplate, Stainless Steel		4181801	Cab Slide Assy, Fre; RT(See SN Breaks)
21	6200050	Screw, #10-12 x 1/2" Pan HD	62	4180682	Cab Slide Assy, Fre; LT(See SN Breaks)
22	4161870	Refrig. Light Diffuser Assembly		4181802	Cab Slide Assy, Fre; LT(See SN Breaks)
23	6201330	Screw, #8-18 x 5/8" PH PN SS-Gnd	63	6110330	Screw, #10-32 x 1/4" Chrome Plate
24	3520420	Insert / Diffuser Stand-off	64	6200590	Screw, #12 x 1" Type A Zinc Flat HD
25	3601901	Glass Shelf, Spill Proof	65	3601821	Refrig. shelf ladder, Right
26	4181620	Refrig. Roll-out Shelf Assy	66	3601822	Refrig. shelf ladder, Left
27	4181520	Refrig. Roll-out Basket Assy	67	6200710	Screw, #8-18 x 3/8" Fillister HD
28	3411160	Ref Roll-Out Bskt Divider	68	3411340	Ice Bucket
29	4151750	Crisper Glass Assembly (Incl. Seals)	69	2811212	Breaker Strip, Refr, RS (See SN Breaks)
30	3211760	Crisper Glass Seal, Rear	70	2811213	Breaker Strip, Fre, RS (See SN Breaks)
31	3211730	Crisper Glass Seal, Front	71	2811215	Breaker Strip, Fre, LS (See SN Breaks)
32	4181440	High Humidity Drawer Assembly	72	2811206	Brkr Strip, Ref Top/Fre Bottom (See SN Breaks)
33	3413100	Drawer Divider			
34	3421770	Humidity Drawer Slide-Frame	73	2811501	Brkr Strip, Fre Mullion (See SN Breaks)
35	4181412	Top Crisper Slide Assembly, Wide-LH	74	2811401	Brkr Strip, Ref Mullion (See SN Breaks)
	4181421	Top Crisper Slide Assembly, Narrow-RH	75	2811216	Breaker Strip, Ref, LS (See SN Breaks)
36	4181411	Top Crisper Slide Assembly, Wide-RH	76	4280950	Compressor Shroud Assembly
	4181422	Top Crisper Slide Assembly, Narrow-LH	77	4201320	Blocking Kit; 36" (Not Shown)
37	6201270	Screw, #8-18 x 5/8" PH PN SS-Gnd			

650 COSMETIC VIEW

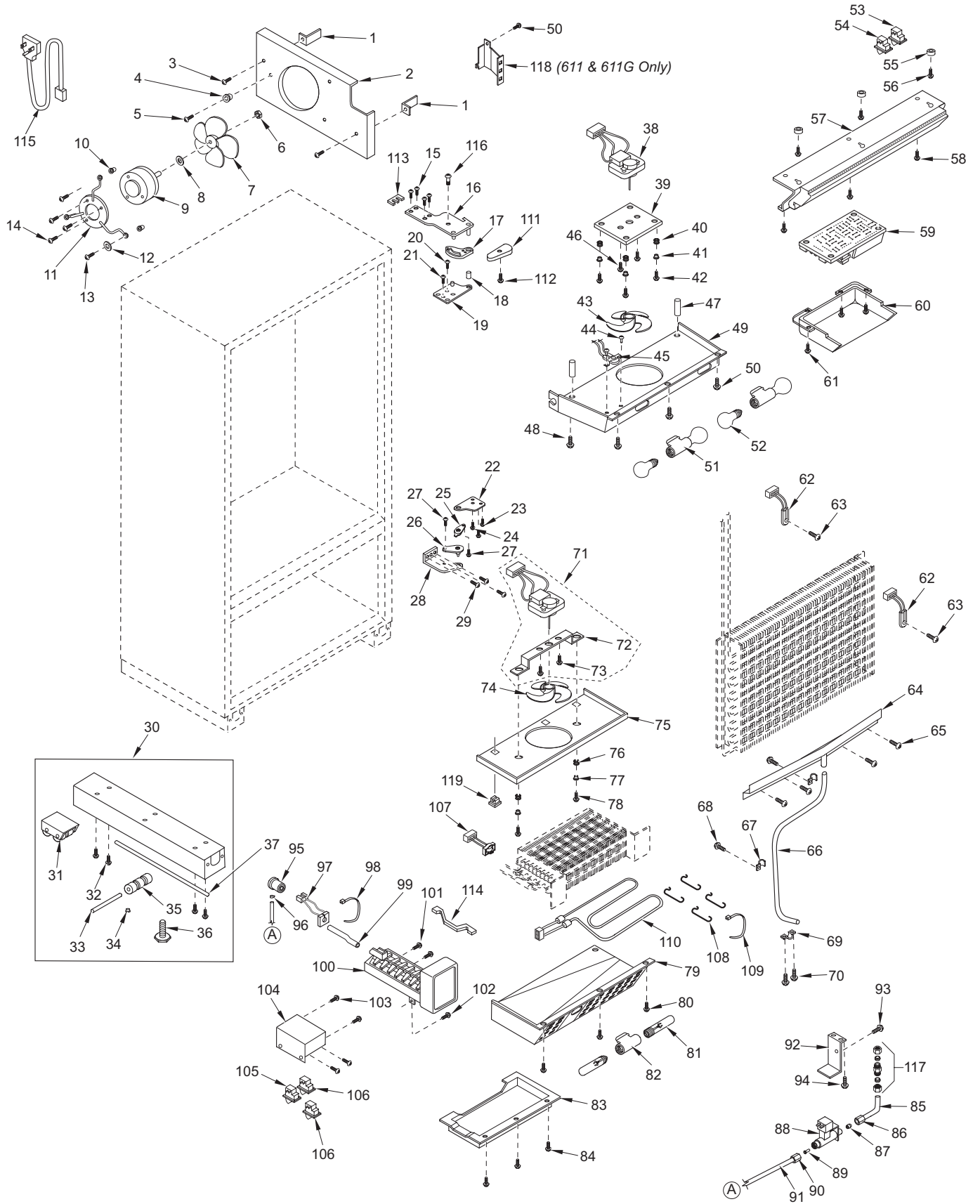




650 MECHANICAL PARTS LIST

Ref #	Part #	Description	Ref #	Part #	Description
1	3450290	Angle Bracket	61	6201270	Screw, #8-18 x 5/8" PH PN SS-Gnd
2	0261200	Condenser Fan Shroud	62	3014350	Thermistor
3	6200010	Screw, #10-12 x 3/4" Pan HD	63	6201270	Screw, #8-18 x 5/8" PH PN SS-Gnd
4	3420670	Screw Spacer	64	4190150	Drain Trough Assy (See SN Breaks)
5	6200450	Screw, #8 x 1" Type AR Flat		0260540	Drain Trough Assy (See SN Breaks)
6	6150410	Nut, 1/4-20	65	6201270	Screw, #8-18 x 5/8" PH PN SS-Gnd
7	3150320	Fan Blade, Cond, 5 prop, 7"	66	1601400	Drain Tube, Wire - 1/2" x 72"
8	3210340	Neoprene Silencer, 7/8"	67	6120050	Tube Clamp, Plastic, 5/8"
9	4200740	Motor Pkg, Cond Fan (blade not incl.)	68	6200010	Screw, #10-12 x 3/4" Pan HD
10	6150330	Well Nut, .75D x .804", #10-32	69	6120210	U-Clamp, 5/8"
11	3150650	Condenser Fan Bracket	70	6200010	Screw, #10-12 x 3/4" Pan HD
12	6240350	Fender Washer, .25x1.25x.06	71	4200160	Freezer Fan Motor Pkg. (Blade not Incl.)
13	6201280	Machine Screw, #10-32 x 1-1/4"	72	0232280	Fan Bracket, Fre
14	6200490	Screw, #8-32 x 3/8" Slotted Hex T25	73	6110270	Bolt, #10-32 x 1/4" RD HD
15	6110070	Bolt, 1/4-20x3/4 Spinlock Zinc	74	3150640	Fan Blade, Evaporator
16	4151831	Upper Cabinet Hinge - RH	75	0233570	Fan Shroud, Fre Evap (See SN Breaks)
	4151832	Upper Cabinet Hinge - LH		4281510	Shroud Assy, Fre Evap (See SN Breaks)
17	3421800	Door Stop Cam	76	3220250	Grommet, 3/16" x 7/16" x 9/32"
18	3421790	Bearing, Top Door Hinge	77	3520120	Brass Insert, Fan Bracket
19	4151841	Hinge, Door Top - RH	78	6200670	Screw, #6-18 x 3/4" Tek
	4151842	Hinge, Door Top - LH	79	0232840	Evaporator Cover, Fre (See SN Breaks)
20	6110540	Bolt, #10-24 x 1/2" Flat Socket HD		0234290	Evaporator Cover, Fre (See SN Breaks)
21	6200390	Screw, #6 x 3/8" T25 Flat Head PH		0232860	Fre Evap. Cvr Lft Side (See SN Breaks)
22	0182381	Door Hinge, Bottom; RH		0234300	Fre Evap. Cvr Lft Side (See SN Breaks)
	0182382	Door Hinge, Bottom; LH	80	6200120	Screw, #10-12 x 1/2" Truss HD
23	6110540	Bolt, #10-24 x 1/2" Flat Socket HD	81	3030040	Light Bulb, Long/Narrow; 40 watt
24	6200390	Screw, #6 x 3/8" T25 Flat Head PH	82	3050020	Light Sckt, 3/4 Double (See SN Breaks)
25	3420690	Bottom Door Hinge Cam		3050220	Sckt, Light Base Sngl (See SN Breaks)
26	3420681	Bottom Cabinet Hinge Cam, RH	83	4151860	Fre Air Duct Assy (See SN Breaks)
	3420682	Bottom Cabinet Hinge Cam, LH		0234310	Fre Air Duct Assy (See SN Breaks)
27	6110270	Bolt, #10-32 x 1/4" RD HD	84	6200120	Screw, #10-12 x 1/2" Truss HD
28	4151641	Cabinet Hinge, Bot-RH (See SN Breaks)	85	2600297	Tube, Copper L-Shaped
	4152011	Cabinet Hinge, Bot-RH (See SN Breaks)	86	3520380	Compression Nut
	4151642	Cabinet Hinge, Bot-LH (See SN Breaks)	87	3520370	Compression Sleeve
	4152012	Cabinet Hinge, Bot-LH (See SN Breaks)	88	4202790	Water Valve
29	6110010	Bolt, #10-24 x 1/2" Flat Head UC	89	3520050	Brass Insert, Solenoid
30	4110353	Base Assy (w/rollers)	90	3520030	Icemaker Nylon Nut, 1/4"
31	4110331	Base Rear Roller Assy	91	2600617	Plastic Water Line
32	6200010	Screw, #10-12 x 3/4" Pan HD	92	0168160	Solenoid Water Valve Bracket
33	3550560	Straight Pin, Base Assy, .312" x 2.88"	93	6200780	Screw, #10-24 x 1/2" PH Hex Washer
34	3450620	Canoe Clip	94	6201270	Screw, #8-18 x 5/8" PH PN SS-Gnd
35	3421240	Cabinet Roller (Single)	95	1607700	Water Inlet Tube
36	3570050	Leveling Leg, #18-3/8 x 1"	96	6220470	Fill Tube Clamp
37	6110580	Adjusting Screw	97	3013820	Fill Tube Heater
38	4200170	Refrig. Fan Motor Pkg. (Blade not Incl.)	98	6120450	Locking Cable Tie 9.7" BLK
39	0211620	Refrigerator Fan Bracket	99	2605410	Water Inlet Tube Extension
40	3220250	Grommet, 3/16" x 7/16" x 9/32"		6220470	Fill Tube Clamp
41	3520410	Brass Insert, Fan	100	4200522	Icemaker Assembly
42	6110270	Bolt, #10-32 x 1/4" RD HD	101	6200120	Screw, #10-12 x 1/2" Truss HD
43	3150640	Fan blade, Ref/Fre Evap.	102	6201270	Screw, #8-18 x 5/8" PH PN SS-Gnd
44	6180010	Pop Rivet, 1/8"	103	6201270	Screw, #8-18 x 5/8" PH PN SS-Gnd
45	3082140	Light Terminator	104	0233820	Switch Housing, Freezer
46	6110270	Bolt, #10-32 x 1/4" RD HD	105	3060140	SPST Light Switch
47	6220540	Screw Grommet / Stand-off	106	3060130	SPST Fan/Icemaker Switch
48	6201010	Screw, #8-15 x 2" Pan Head	107	3082060	Defrost Terminator
49	4161330	Refrig. Fan Shroud Assy	108	1801100	Heater Clip
50	6201270	Screw, #8-18 x 5/8" PH PN SS-Gnd	109	6120340	Aluminum Strap
51	3050180	Light Socket, Double (See SN Breaks)	110	4321760	Defrost Heater Assy (See SN Breaks)
	3050250	Sckt, Light M Base Dbl (See SN Breaks)		4324640	Defrost Heater Assy (See SN Breaks)
52	3030030	Light Bulb, 40 Watt	111	3541017	Top Cabinet Hinge Cover, RH
53	3060130	SPST Fan/Icemaker Switch		3541018	Top Cabinet Hinge Cover, LH
54	3060140	SPST Light Switch	112	6200140	Screw, #8-15 x 3/8" Truss HD
55	6160240	Nylon Spacer	113	0168680	Shim - Hinge
56	6200720	Screw, #8-18 x 1/2 PH Truss HD	114	3140400	Icemaker Rudder Arm
57	4160782	Control Panel Assy (See SN Breaks)	115	4321820	Power Cord
	4161342	Control Panel Assy (See SN Breaks)	116	3550770	90° Stop Pin
58	6201270	Screw, #8-18 x 5/8" PH PN SS-Gnd	117	3520250	Water Inlet Fitting Assy
59	4202800	Control Board Pkg-Dual (See SN Breaks)	118	NA	
	4203520	Control Board Pkg (See SN Breaks)	119	6220220	Scrw Grmt, 1/32X3/8 SQ(See SN Breaks)
60	3412790	Control Board Encl. (See SN Breaks)			
	3413940	Control Board Encl. (See SN Breaks)			

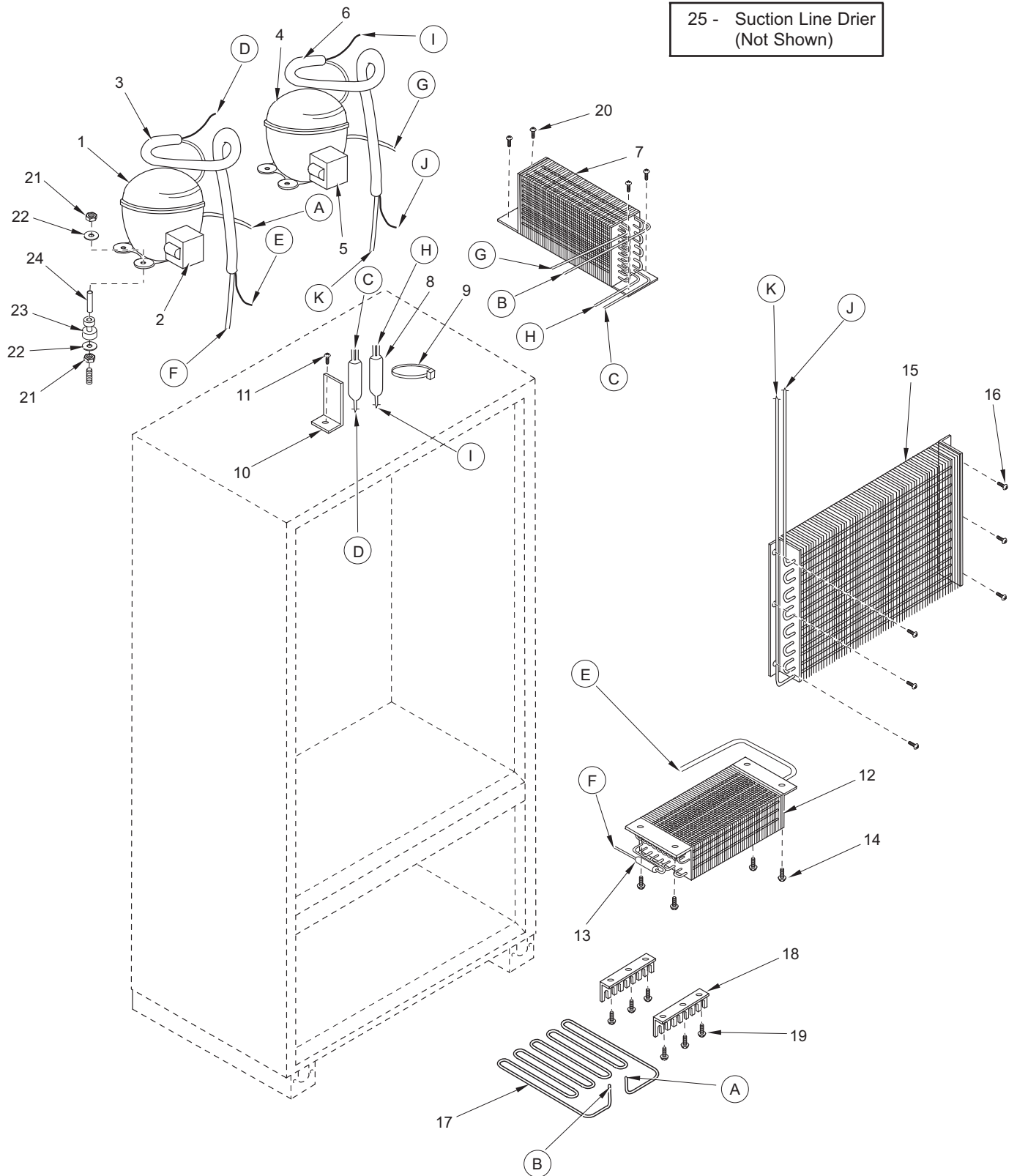
650 MECHANICAL VIEW



650 SEALED SYSTEM PARTS LIST

<u>Ref #</u>	<u>Part #</u>	<u>Description</u>
1	4202280	Compressor, (EMI60HER)
2	3111041	Relay, (PTH490) (Used with DA73 Compressor)
	3111460	Relay, (1351408) (Used with EMI60HER Compressor)
	3111430	Overload (4TM419MFB) (Used with DA73 Compressor)
	3111470	Overload, (4TM757NFB) (Used with EMI60HER Compressor)
	3111070	Capacitor (12Mf) (Used with DA73 Compressor)
3	4251270	Heat Exchanger, Freezer
4	4201880	Compressor, Refrig. (EMI30HER)
5	3111370	Relay, (1351400 - for EMI30HER)
	3111410	Overload, (4TM734LFB - for EMI30HER)
6	4251290	Heat Exchanger, Refrigerator
7	3120330	Condenser, Dual
8	3014230	Filter-Drier, High Side
9	6120170	Locking Cable Tie, Red, 11-1/2"
10	0168040	Drier Bracket
11	6201270	Screw, #8-18 x 5/8" PH PN SS-Gnd
12	3130300	Evaporator Coil, Fre (See SN Breaks)
	3130580	Evaporator Coil, Fre (See SN Breaks)
13	3011130	Freezer Accumulator
14	6200120	Screw, #10-12 x 1/2" Truss HD
15	3130270	Evaporator, Refrig.
16	6201270	Screw, #8-18 x 5/8" PH PN SS-Gnd
17	2600138	Drain Pan Heater Loop
18	3421410	Drain Pan Heater Loop Support
19	6200010	Screw, #10-12 x 3/4" Pan HD
20	6200010	Screw, #10-12 x 3/4" Pan HD
21	6150220	Nut, 5/16-18 Hex Zinc
22	6240050	Flat Washer, 5/16"
23	3150010	Rubber Grommet, Small, 5/8"
	3150170	Rubber Grommet, Large, 15/16"
24	6160030	Spacer, 5/16 x 7/16 x 5/8"
	6160070	Sleeve, 5/16 x 7/16 x 7/8"
25	3014100	Suction Line Drier (Service Only - Not Shown)

650 SEALED SYSTEM VIEW

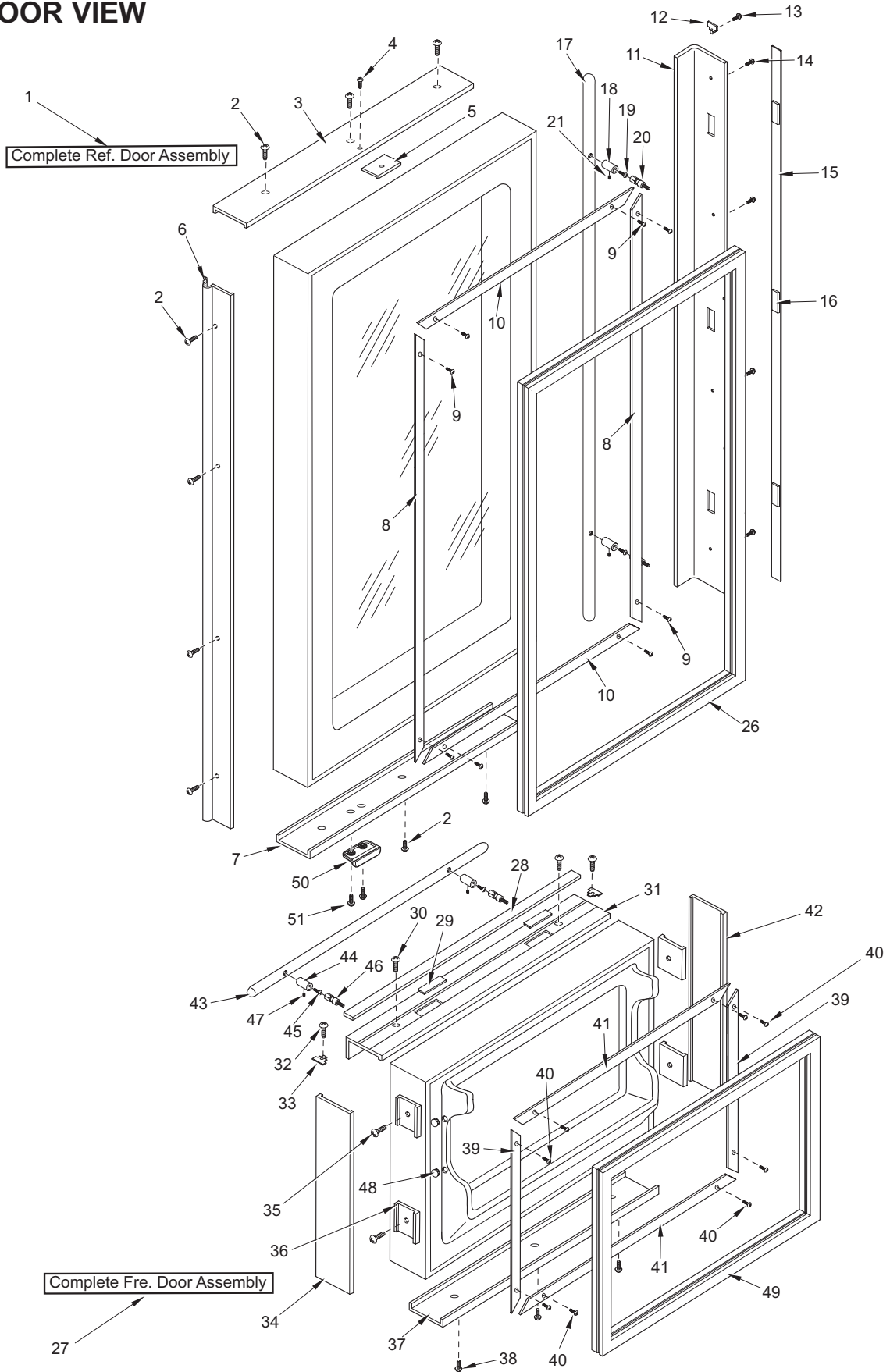




650G DOOR PARTS LIST

Ref #	Part #	Description	Ref #	Part #	Description
1	4134685	Door Assy,Ref 650G Frmd/Overlay-RH	22	NA	
	4134686	Door Assy,Ref 650G Frmd/Overlay-LH	23	NA	
	4134687	Door Assy,Ref 650HAG Frmd/Olay-RH	24	NA	
	4134688	Door Assy,Ref 650HAG Frmd/Olay-LH	25	NA	
	4134695	Door Assy, Ref 650G SS-RH	26	3212160	Door Gasket, Refrigerator
	4134696	Door Assy, Ref 650G SS-LH	27	4132795	Freezer Drawer Assy, Frame/Overlay
	4134697	Door Assy, Ref 650HAG SS-RH		4133215	Freezer Drawer Assy (SS)
	4134698	Door Assy, Ref 650HAG SS-LH	28	4131880	Handle/Trim Molding Assy, Freezer
NOTE: Door Assy's incl. Wire Harness / Top Hng Assy.			29	3451000	Magnet, Trim Strip
2	6200720	Screw, #8-18 x 1/2 Ph Truss Hd	30	6201300	Tapping Screw, #8 x 1/2
3	2230606	Refrig. Door Trim, Top - RH	31	4132250	Drawer Handle Assy, Freezer (Framed)
	2230608	Refrig. Door Trim, Top - LH		4132350	Handle-Side Door Trim, Freezer (Overlay)
4	6200720	Screw, #8-18 x 1/2 Ph Truss Hd	32	6180160	Rivet, Open End Blind, 1/8 x 3/16
5	4200940	Switch Depressor (Includes Screw)	33	3413340	Handle/Trim End Cap
6	3511140	Door Trim, Hinge Side - (SS Model)	34	2230701	Fre Drawer Trim, Rt Side
	3511141	Door Trim, Hinge Side - Mitered Corner	35	6180040	Pop Rivet, 3/16 x 1/8 Grip
7	2230607	Refrig. Door Trim, Bottom - RH	36	3450460	Clip, Door Trim
	2230609	Refrig. Door Trim, Bottom - LH	37	2230614	Freezer Drawer Trim, Bottom
8	3420240	Gasket Retainer, Side Ref, 47.438	38	6200720	Screw, #8-18 x 1/2 Ph Truss Hd
9	6200410	Screw, #8 x 1/2 Slot Head Hex	39	3420150	Gasket Retainer, 17.312
10	3420220	Gasket Retainer, 33.312"	40	6200410	Screw, #8 x 1/2 Slot Head Hex
11	4132240	Door Handle Assy, Refrig. (Framed)	41	3420220	Gasket Retainer, 33.312"
	4132340	Handle-side Door Trim, Rfrig. (Overlay)	42	2230702	Fre Drawer Trim, Lt Side
12	3413340	Handle/Trim End Cap	43	3511990	Handle, Door SS 1 X 30.312
13	6180160	Rivet, Open End Blind, 1/8 x 3/16		4133720	Handle Assy, Obr Standoff - Fre
14	6201300	Tapping Screw, #8 x 1/2	44	3512160	Standoff, SS Oval
15	4131870	Handle/Trim Molding Assy, Refrig.	45	6110540	Bolt, #10-24 x 1/2 Flat Socket HD
16	3451000	Magnet, Trim Strip	46	3511520	Handle Mounting Stud
17	3511980	Handle, Door SS 1 X 44.250	47	6110730	Set Screw #10-32 x 1/4 SS Cone
	4133700	Handle Assy, SS Obr Standoff	48	3550230	White Plastic Plug, 3/4
18	3512150	Standoff, SS Oval	49	3212120	Door Gasket, Fre.
19	6110540	Bolt, #10-24 x 1/2 Flat Socket HD	50	3430100	Closer, Door-Door Side
20	3511520	Handle Mounting Stud	51	6110060	Bolt, #10-32 x 5/8", Truss Head
21	6110730	Set Screw #10-32 x 1/4 SS Cone			

650G DOOR VIEW





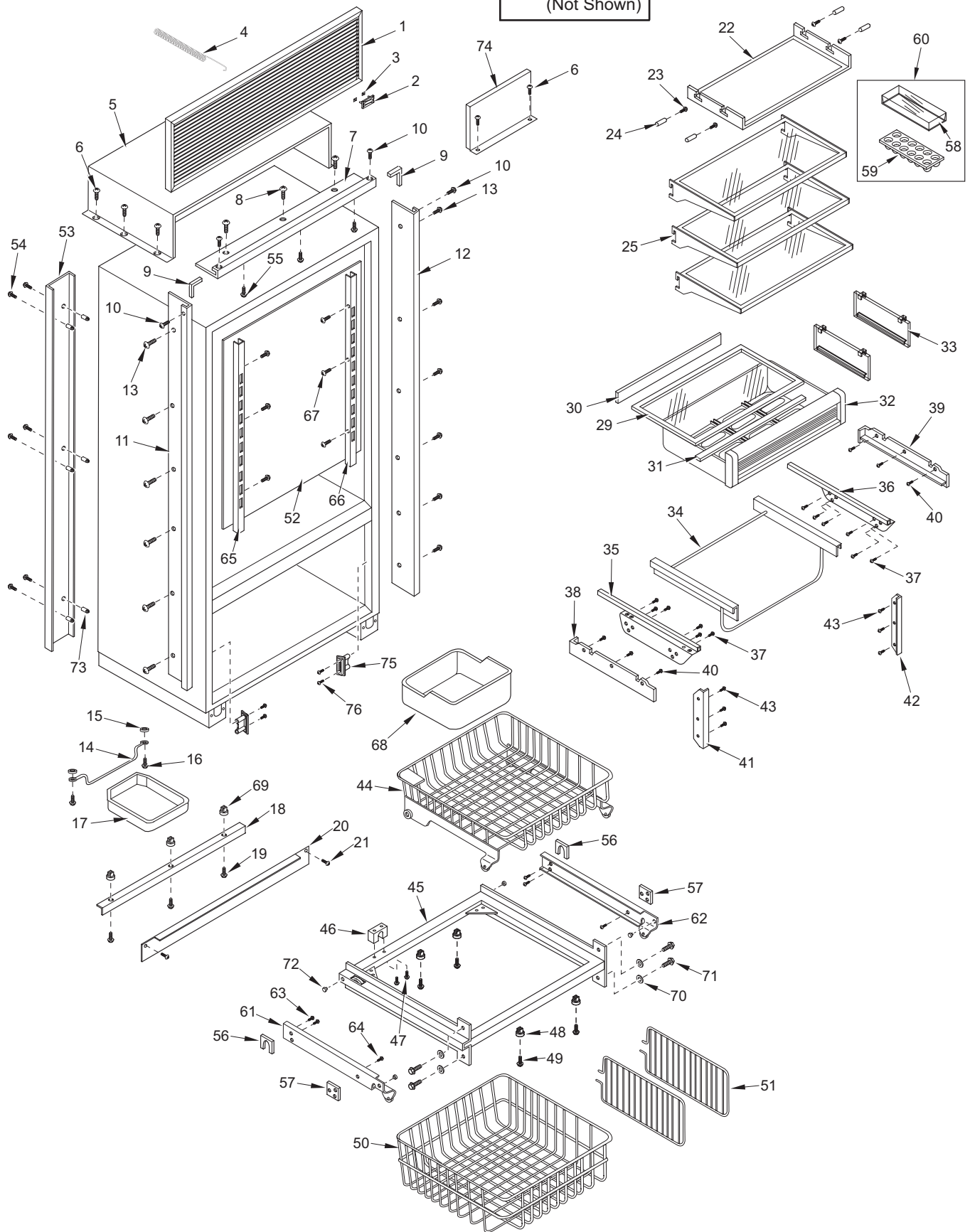
650G COSMETIC PARTS LIST

Ref #	Part #	Description	Ref #	Part #	Description
1	6LG3611	Louvered Grille Assy, 36" x 11"	38	3421711	Top Crspr Glass Support, Narrow-RH
	6PG3611	Panel Grille Assy, 36" x 11"		3421722	Top Crisper glass Support, Wide-LH
	6SG3611	SS Grille 36" x 11" (See SN Breaks)	39	3421712	Top Crisper Glass Support, Narrow-LH
	6SG3611/S	SS Grille,36X11-CLSC (See SN Breaks)		3421721	Top Crisper Glass Support, Wide-RH
2	3580230	Nameplate w/ Pegs	40	6201130	Screw, #8x 1/2" PH FL HD SS
3	6150140	Spring Grip Nut, 1/8"	41	3421741	Crisper Filler Strip, Narrow (if RH)
4	3450900	Spring, Grille		3421742	Crisper Filler Strip, Wide (if LH)
5	4280940	Unit Shroud Assembly	42	3421741	Crisper Filler Strip, Narrow (if LH)
6	6201270	Screw, #8-18 x 5/8" PH PN SS-Gnd		3421742	Crisper Filler Strip, Wide (if RH)
7	2234009	Frame, Main Top 36 - RH	43	6201270	Screw, #8-18 x 5/8" PH PN SS-Gnd
	2234010	Frame, Main Top 36 - LH	44	4181950	Upper Fre Basket Assy
8	6200010	Screw, #10-12 x 3/4" Pan HD	45	4181790	Drawer Slide Assy, Fre
9	2210701	Main Frame Angle	46	3420950	Upper Freezer Basket Restraint
10	6200070	Screw, #4-24 x 3/8" Flat HD	47	6200340	Screw, #6-20 x 1/2" Pan Head
11	2234013	Frame, Main Side Left - RH	48	6220110	Screw Grommet, 1/2" x 9/16"
	2234014	Frame, Main Side Left - LH	49	6200130	Screw, #8-18 x 3/4" Truss HD
12	2234011	Frame, Main Side Right - RH	50	3413690	Lower Freezer Basket
	2234012	Frame, Main Side Right - LH	51	3413700	Lower Fre Bskt Divider
13	6201550	Screw, #8-18 X 1/2 Low Profile	52	0201130	Refig Evap Cover
14	3420760	Drain Pan Holder	53	0169600	Back Duct
15	3420670	Screw Spacer	54	6201060	Screw, #8x1-1/4" PH FLAT TAP
16	6201060	Screw, #8x1-1/4" PH FLAT TAP	55	6201310	Screw, #8 x 1-3/4" Flat PH HD
17	0164940	Drain Pan	56	0232310	Drawer Slide Shim, Rear
18	0169590	Kickplate Support	57	0232300	Drawer Slide Shim, Front - .060"
19	6200010	Screw, #10-12 x 3/4" Pan HD		2121180	Shim, Freezer Drawer Front-.030"
20	0169520	Kickplate, Solid	58	3412280	Egg Tray Cover
	0167820	Kickplate, Stainless Steel	59	3412270	Egg Tray
21	6200050	Screw, #10-12 x 1/2" Pan HD	60	4131810	Egg Tray with Cover
22	4161870	Refrig. Light Diffuser Assembly	61	4181801	Cab Slide Assy, Fre; RT
23	6201330	Screw, #8-18 x 5/8" PH PN SS-Gnd	62	4181802	Cab Slide Assy, Fre; LT
24	3520420	Insert / Diffuser Stand-off	63	6110330	Screw, #10-32 x 1/4" Chrome Plate
25	3602330	Shelf, Glass Cantilever	64	6200590	Screw, #12 x 1" Type A Zinc Flat HD
26	NA		65	3601821	Refrig. shelf ladder, Right
27	NA		66	3601822	Refrig. shelf ladder, Left
28	NA		67	6200710	Screw, #8-18 x 3/8" Fillister HD
29	4151750	Crisper Glass Assembly (Incl. Seals)	68	3411340	Ice Bucket
30	3211760	Crisper Glass Seal, Rear	69	6220050	Screw Grommet, 1/2" x 5/8"
31	3211730	Crisper Glass Seal, Front	70	6240040	Flat Washer, 1/4"
32	4181440	High Humidity Drawer Assembly	71	6110450	Bolt, 1/4-20 x 1/2" Whiz Lock
33	3413100	Drawer Divider	72	3550300	Glide, Rear Drawer 1/2X1/4
34	3421770	Humidity Drawer Slide-Frame	73	6220430	Screw Grommet
35	4181412	Top Crisper Slide Assembly, Wide-LH	74	4280950	Compressor Shroud Assembly
	4181421	Top Crisper Slide Assembly, Narrow-RH	75	3421860	Grommet, Spprt Insul.
36	4181411	Top Crisper Slide Assembly, Wide-RH	76	6200010	Screw, #10-12 x 3/4" Pan HD
	4181422	Top Crisper Slide Assembly, Narrow-LH	77	4201320	Blocking Kit; 36" (Not Shown)
37	6201270	Screw, #8-18 x 5/8" PH PN SS-Gnd			



650G COSMETIC VIEW

77 - Blocking Kit
(Not Shown)

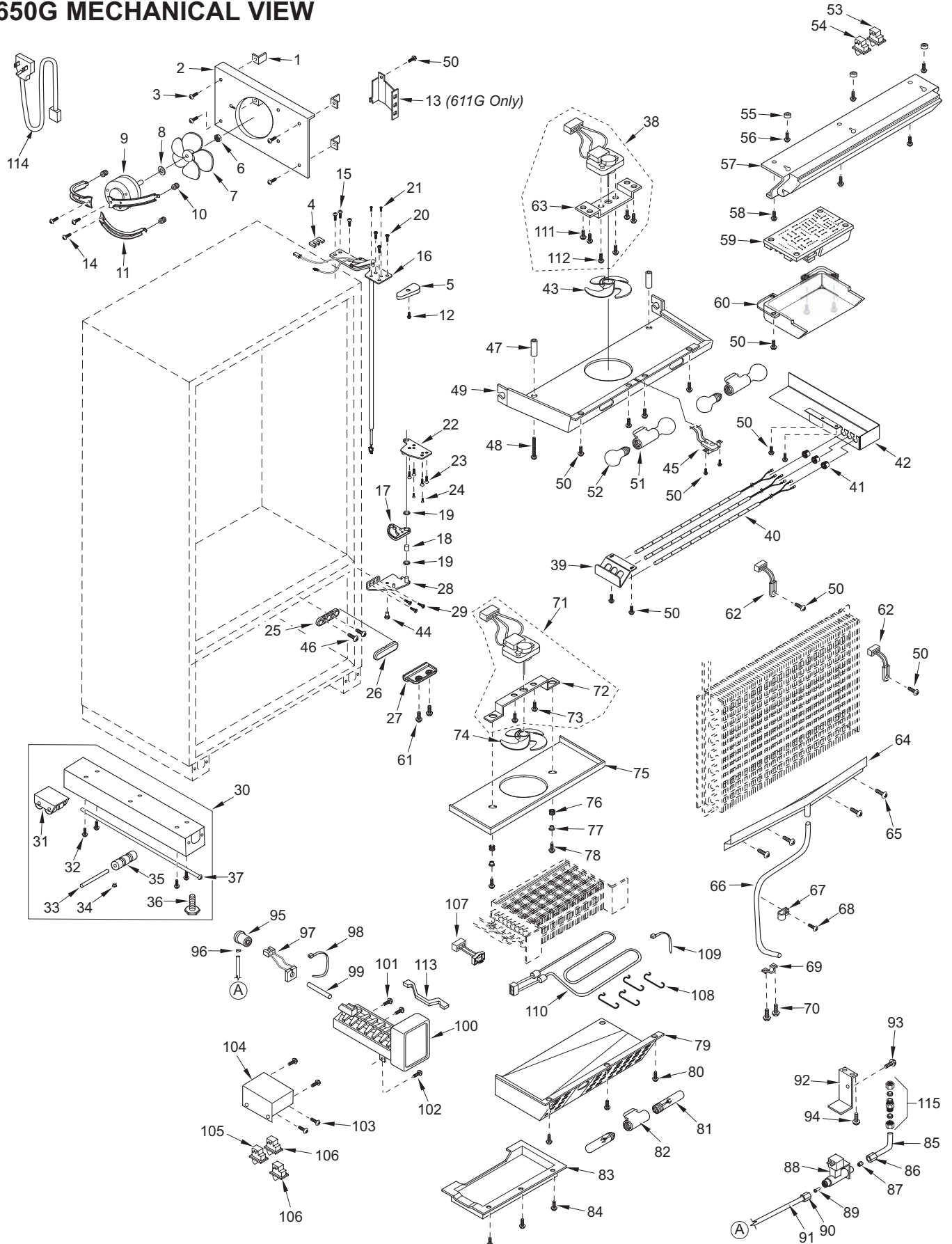




650G MECHANICAL PARTS LIST

Ref #	Part #	Description	Ref #	Part #	Description
1	3450290	Angle Bracket	57	4162692	Control Panel Assy, 650G Srvc
2	0261200	Shroud, Cond Fan	58	6201270	Screw, #8-18 x 5/8" PH PN SS-Gnd
3	6200010	Screw, #10-12 x 3/4" Pan HD	59	4203790	Control Board Pkg
4	0168680	Shim - Hinge	60	3413940	Control Board Encl.
5	3541017	Top Cabinet Hinge Cover, RH	61	6110060	Bolt, #10-32 x 5/8", Truss Head
	3541018	Top Cabinet Hinge Cover, LH	62	3014350	Thermistor
6	6150410	Nut, 1/4-20	63	0212540	Bracket, Fan
7	3150320	Fan Blade, Cond, 5 prop, 7"	64	0260540	Drain Trough, Ref
8	3210340	Neoprene Silencer, 7/8"	65	6201540	Screw, #8- 15X1-1/4 PH PAN HD
9	4200740	Motor Pkg, Cond Fan (blade not incl.)	66	1601400	Drain Tube, Wire - 1/2" x 72"
10	3220360	Grommet, Mtg Brkt	67	6120050	Tube Clamp, Plastic, 5/8"
11	0261150	Bracket, Cond Mounting	68	6200120	Screw, #10-12 x 1/2" Truss HD
12	6200140	Screw, #8- 15 x 3/8" Truss HD	69	6120210	U-Clamp, 5/8"
13	NA		70	6200010	Screw, #10-12 x 3/4" Pan HD
14	6200490	Screw, #8-32 x 3/8" Slotted Hex T25	71	4200160	Freezer Fan Motor Pkg. (Blade not Incl.)
15	6110070	Bolt, 1/4-20x3/4 Spinlock Zinc	72	0232280	Fan Bracket, Fre
16	4325671	WH, Top Hinge Assy - RH	73	6110270	Bolt, #10-32 x 1/4" RD HD
	4325672	WH, Top Hinge Assy - LH	74	3150640	Fan Blade, Evaporator
17	3421800	Door Stop Cam	75	4281510	Shroud Assy, Fre Evap 650 Srvc
18	3421790	Bearing, Door Hinge	76	3220250	Grommet, 3/16" x 7/16" x 9/32"
19	3430120	Bushing, Door	77	3520120	Brass Insert, Fan Bracket
20	6110540	Bolt, #10-24 x 1/2" Flat Socket HD	78	6200670	Screw, #6-18 x 3/4" Tek
21	6200390	Screw, #6 x 3/8" T25 Flat Head PH	79	0234290	Evaporator Cover, Fre
22	4151841	Hinge, Door Bottom LH		0234300	Fre Evap. Cvr Lft Side
	4151842	Hinge, Door Bottom RH	80	6200120	Screw, #10-12 x 1/2" Truss HD
23	6110540	Bolt, #10-24 x 1/2" Flat Socket HD	81	3030040	Light Bulb, Long/Narrow; 40 watt
24	6200390	Screw, #6 x 3/8" T25 Flat Head PH	82	3050220	Socket, Light Int Base Sngl
25	3430110	Closer, Door-Cabinet Side	83	0234310	Fre Air Duct Assy
26	3430140	Cover, Door Closer	84	6200120	Screw, #10-12 x 1/2" Truss HD
27	3430100	Closer, Door-Door Side	85	2600297	Tube, Copper L-Shaped
28	4152081	Cabinet Hinge, Bot - RH	86	3520380	Compression Nut
	4152082	Cabinet Hinge, Bot - LH	87	3520370	Compression Sleeve
29	6110810	Screw, Machine #10-24X3/4 PH FT HD	88	4202790	Water Valve
30	4110353	Base Assy (w/rollers)	89	3520050	Brass Insert, Solenoid
31	4110331	Base Rear Roller Assy	90	3520030	Icemaker Nylon Nut, 1/4"
32	6200010	Screw, #10-12 x 3/4" Pan HD	91	2600617	Plastic Water Line
33	3550560	Straight Pin, Base Assy, .312" x 2.88"	92	0168160	Solenoid Water Valve Bracket
34	3450620	Canoe Clip	93	6200780	Screw, #10-24 x 1/2" PH Hex Washer
35	3421240	Cabinet Roller (Single)	94	6201270	Screw, #8-18 x 5/8" PH PN SS-Gnd
36	3570050	Leveling Leg, #18-3/8 x 1"	95	1607700	Water Inlet Tube
37	6110580	Adjusting Screw	96	6220470	Fill Tube Clamp
38	4200170	Refrig. Fan Motor Pkg. (Blade not Incl.)	97	3070210	Heater, Fill Tube
39	0261330	Bracket, Light	98	6120450	Locking Cable Tie 9.7" BLK
40	3030150	Light Strip, 15 WATT	99	2605410	Water Inlet Tube Extension
41	3220810	Grommet, Open/Closed 1/2	100	4200522	Icemaker Assembly
42	0212740	Box, Light Display	101	6200120	Screw, #10-12 x 1/2" Truss HD
43	3150640	Fan blade, Ref/Fre Evap.	102	6201270	Screw, #8-18 x 5/8" PH PN SS-Gnd
44	3550770	90° Stop Pin	103	6201270	Screw, #8-18 x 5/8" PH PN SS-Gnd
45	3082140	Light Terminator	104	0233820	Switch Housing, Freezer
46	6201590	Screw, #8-32X1/2 Taplite Pn Trx	105	3060140	SPST Light Switch
47	6220540	Screw Grommet / Stand-off	106	3060130	SPST Fan/Icemaker Switch
48	6201010	Screw, #8-15 x 2" Pan Head	107	3082060	Defrost Terminator
49	4162660	Shroud Assy, Ref Fan	108	1801100	Heater Clip
50	6201270	Screw, #8-18 x 5/8" PH PN SS-Gnd	109	6120340	Aluminum Strap
51	3050250	Socket, Light Med Base Double	110	4324640	Defrost Heater Assy
52	3030030	Light Bulb, 40 Watt	111	6201270	Screw, #8-18 x 5/8" PH PN SS-Gnd
53	3060130	SPST Fan/Icemaker Switch	112	6110270	Bolt, #10-32 X 1/4 Rd Hd
54	3060140	SPST Light Switch	113	3140400	Icemaker Rudder Arm
55	6160240	Nylon Spacer	114	4321820	Power Cord
56	6200720	Screw, #8-18 x 1/2 PH Truss HD	115	3520250	Water Inlet Fitting Assy

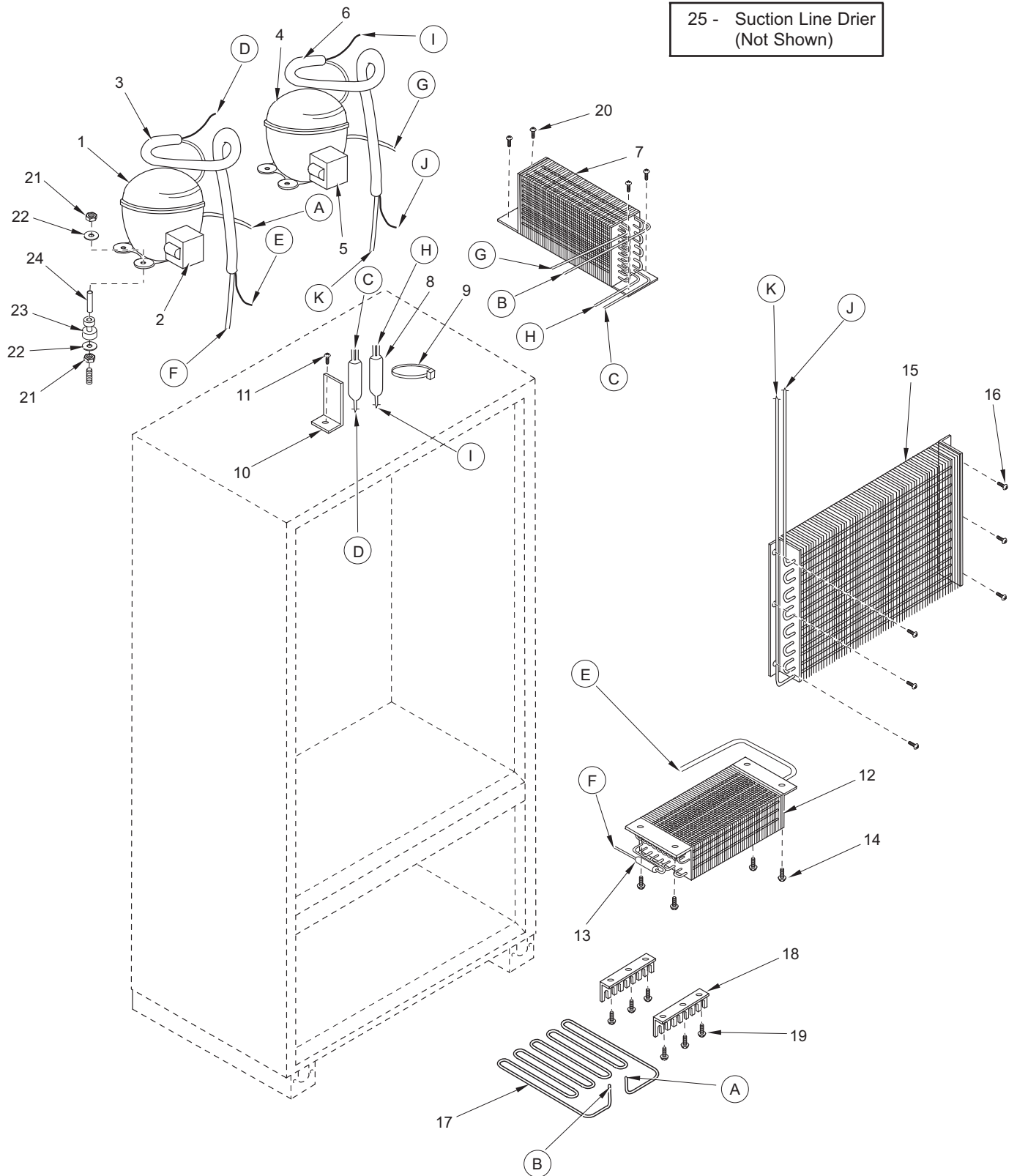
650G MECHANICAL VIEW



650G SEALED SYSTEM PARTS LIST

<u>Ref #</u>	<u>Part #</u>	<u>Description</u>
1	4202280	Compressor, (EMI60HER) (See SN Breaks)
2	3111460	Relay, (1351408 - for EMI60HER)
	3111470	Overload, (4TM757NFB - for EMI60HER)
3	4251270	Heat Exchanger, Freezer
4	4201880	Compressor, Refrig. (EMI30HER)
5	3111370	Relay, (1351400 - for EMI30HER)
	3111410	Overload, (4TM734LFB - for EMI30HER)
6	4251560	Heat Exchanger, Refrigerator
7	3120330	Condenser, Dual
8	3014230	Filter-Drier, High Side
9	6120170	Locking Cable Tie, Red, 11-1/2"
10	0168040	Drier Bracket
11	6201270	Screw, #8-18 x 5/8" PH PN SS-Gnd
12	3130580	Evaporator Coil, Fre
13	3011130	Freezer Accumulator
14	6200120	Screw, #10-12 x 1/2" Truss HD
15	3130630	Evaporator, Ref
16	6201270	Screw, #8-18 x 5/8" PH PN SS-Gnd
17	2600138	Drain Pan Heater Loop
18	3421410	Drain Pan Heater Loop Support
19	6200010	Screw, #10-12 x 3/4" Pan HD
20	6200010	Screw, #10-12 x 3/4" Pan HD
21	6150220	Nut, 5/16-18 Hex Zinc
22	6240050	Flat Washer, 5/16"
23	3150010	Rubber Grommet, Small, 5/8"
	3150170	Rubber Grommet, Large, 15/16"
24	6160030	Spacer, 5/16 x 7/16 x 5/8"
	6160070	Sleeve, 5/16 x 7/16 x 7/8"
25	3014100	Suction Line Drier (Service Only - Not Shown)

650G SEALED SYSTEM VIEW

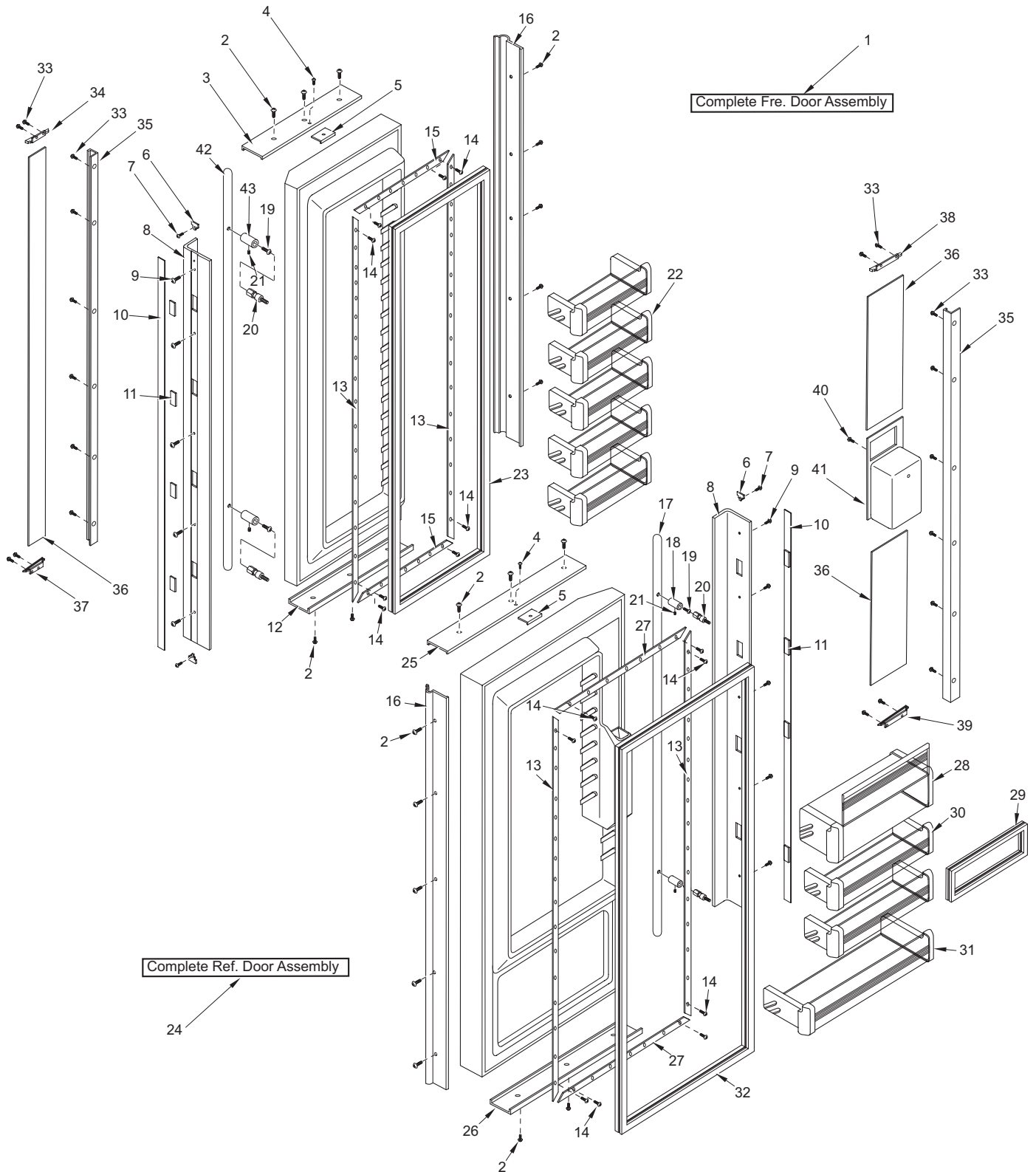




680 DOOR PARTS LIST

Ref #	Part #	Description	Ref #	Part #	Description
1	4132675	Fre Door Assy-Framd(See SN Breaks)	28	4330620	Dairy Compartment Assembly
	4132925	Fre Door Assy-Framd(See SN Breaks)	29	3211910	Dairy Compartment Gasket
	4132695	Fre Door Assy - SS (See SN Breaks)	30	4330630	Upper Refrig. Door Shelf Assembly
	4133275	Fre Door Assy - SS (See SN Breaks)	31	4330550	Refrig. Door Shelf Assembly (Regular)
2	6200720	Screw, #8-18 x 1/2 PH Truss HD		4330540	Gallon Door Shelf Assy (Sales Acc.)
3	2230617	Door Trim, Top; Freezer	32	3212180	Door Gasket, Refrigerator
4	6200720	Screw, #8-18 x 1/2 PH Truss HD	33	6200840	Screw, #10 x 1/2" PH FH AB SS
5	4200940	Switch Depressor (Includes Screw)	34	3413451	Top Trim Filler, Freezer Door
6	3413340	Handle/Trim End Cap	35	3511470	Vertical Trim Strip
7	6180160	Rivet, Open End Blind, 1/8" X 3/16"	36	P1/P2	Hndl Insrt-Brt White / Almond Buff
8	4132650	Door Handle Assy, 67.88"		P3/P4	Handle Insert-Camel/Adobe
9	6201300	Tapping Screw, #8 x 1/2"		P5	Handle Insert-Brushed Pewter
10	4131860	Handle/Trim Molding Assembly		P6/P7	Hndl Insrt-Smoke Gray / Charcoal
11	3451000	Magnet, Trim Strip - 3"		P8/P9	Hndl Insrt-Port Brown / Black Slate
12	2230618	Door Trim, Bottom; Freezer		P10	Handle Insert-Stainless Steel
13	3420260	Gasket Retainer, 66.875"		P11	Handle Insert-White Enamel
14	6200410	Screw, #8 x 1/2" Slot Head Hex		P12	Handle Insert-Avocado Enamel
15	3421610	Gasket Retainer, 13.813"		P13	Handle Insert-Harvest Gold Enamel
16	3511131	Door Trim, Hinge Side - Mitered Corner		P14	Handle Insert-Almond Enamel
	3511130	Door Trim, Hinge Side - (SS Model)		P15	Handle Insert-Coffee Enamel
17	4132630	Handle Assy, SS 7/8"D X 43"L-Ref (Incl Stnd-off) (See SN Breaks)	37	3413452	Bottom Trim Filler, Freezer Door
	4133100	Handle Assy, SS 1"D Rnd-Ref (Incl Stnd-off) (See SN Breaks)	38	3413441	Top Trim Filler, Refrig. Door
	4133650	Handle Assy, SS 1"D Blnt-Ref (Incl Stnd-off) (See SN Breaks)	39	3413442	Bottom Trim Filler, Refrig. Door
	4133740	Handle Assy, SS OBR Standoff-Ref (See SN Breaks)	40	6200900	Screw, #8 x 1/2" PH FH Hi-Lo
18	3511490	Refrig Hndl Stand-off, 7/8"D / 3.5 Deg. (See SN Breaks)	41	G1	Glass Well-Bright White
	3511850	Refrig Hndl Stand-off, 1"D / 3.5 Deg. (See SN Breaks)		G2	Glass Well-Almond Buff
	3512170	Standoff, SS Oval, Ref 4 Deg. (See SN Breaks)		G3	Glass Well-Camel
19	6110720	Bolt #10-24X1/2 Socket HD Cap		G4	Glass Well-Adobe
20	3511520	Handle Mounting Stud		G5	Glass Well-Brushed Pewter
21	6110730	Set Screw #10-32 X 1/4 SS Cone		G6	Glass Well-Smoke Gray
22	4330580	Fre Door Shelf Assy (See SN Breaks)		G7	Glass Well-Charcoal
	4330650	Fre Door Shelf Assy (See SN Breaks)		G8	Glass Well-Port Brown
23	3211670	Door Gasket, Fre (See SN Breaks)		G9	Glass Well-Black Slate
	3212190	Door Gasket, Fre (See SN Breaks)		3413410	Glass Well-Stnls Steel (SS Model Only)
24	4132665	Ref Door Assy-Framd(See SN Breaks)	42	4132640	Handle Assy, SS 7/8"D-Fre (Incl Stnd-off) (See SN Breaks)
	4132915	Ref Door Assy-Framd(See SN Breaks)		4133110	Hndl Assy, SS 1"D Rnd-Fre (Incl Stnd-offs) (See SN Breaks)
	4132685	Ref Door Assy - SS (See SN Breaks)		4133660	Hndl Assy, SS 1"D Blnt-Fre (Incl Stnd-offs) (See SN Breaks)
	4133265	Ref Door Assy - SS (See SN Breaks)		4133750	Handle Assy, SS OBR Standoff-Fre (See SN Breaks)
25	2230615	Door Trim, Top; Refrigerator	43	3511480	Fre. Handle Stand-off, 7/8"D / 10 Deg. (See SN Breaks)
26	2230616	Door Trim, Bottom; Refrigerator		3511860	Fre. Handle Stand-off, 1"D / 10 Deg. (See SN Breaks)
27	3421620	Gasket Retainer, 23.125"		3152180	Standoff, SS Oval, Fre 10 Deg. (See SN Breaks)

680 DOOR VIEW



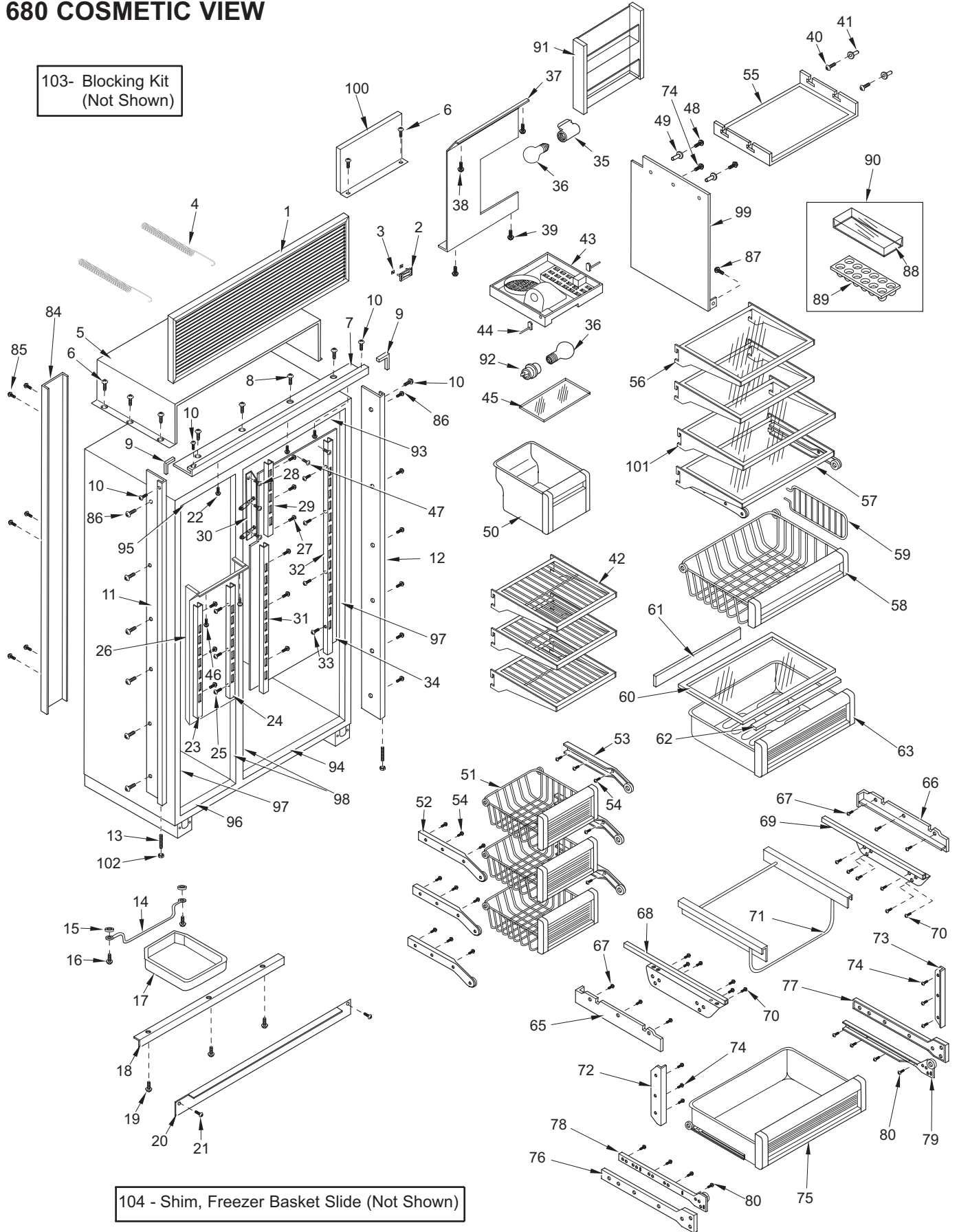


680 COSMETIC PARTS LIST

Ref #	Part #	Description	Ref #	Part #	Description
1	6LG4211	Louvered Grille Assembly, 42" x 11"	50	4181690	Ice Bucket Assy
	6PG4211	Panel Grille Assembly, 42" x 11"	51	4181640	Freezer Basket Assy (See SN Breaks)
	6SG4211	SS Grille Assy, 42 x 11 (See SN Breaks)		4181970	Freezer Basket Assy (See SN Breaks)
	6SG4211/S	SS Grille,42X11-CLSC (See SN Breaks)	52	4180972	Fre Bskt Slide Assy-LH (See SN Breaks)
2	3580230	Nameplate w/ Pegs		4181842	Fre Bskt Slide Assy-LH (See SN Breaks)
	3580210	Name Plate, Stick-on	53	4180971	Fre Bskt Slide Assy-RH (See SN Breaks)
3	6150140	Spring Grip Nut, 1/8"		4181841	Fre Bskt Slide Assy-RH (See SN Breaks)
4	3450900	Grille Spring	54	6200450	Screw, #8 x 1" Type AR Flat
5	4281000	Unit Shroud Assembly	55	4161490	Refrig. Light Diffuser Assembly
6	6200230	Screw, #8-18 x 1/2" Hex Head	56	3602100	Glass Shelf, Refrig Upper, Spill Proof
7	2229708	Main Frame, Top	57	4181650	Refrig. Roll-out Shelf Assy
8	6200010	Screw, #10-12 x 3/4" Pan HD	58	4181530	Refrig. Roll-out Basket Assy
9	2210701	Main Frame Angle	59	3411160	Ref Roll-Out Bskt Divider
10	6200070	Screw, #4-24 x 3/8" Flat HD	60	4151760	Crisper Glass Assembly (Incl Seals)
11	4120590	Main Frame Assy, Left (See SN Breaks)	61	3211780	Crisper Glass Seal, Rear
	4120830	Main Frame Assy, Left (See SN Breaks)	62	3211750	Crisper Glass Seal, Front
12	4120580	Main Frame Assy,Right (See SN Breaks)	63	4181450	High Humidity Drawer Assembly
	4120820	Main Frame Assy,Right (See SN Breaks)	64	N/A	
13	3550190	Bottom Hinge Stud	65	3421711	Top Crspr Glass Support, Narrow-RH
14	3420760	Drain Pan Holder	66	3421721	Top Crisper glass Support, Wide-RH
15	3420670	Screw Spacer	67	6201130	Screw, #8x 1/2" PH FL HD SS
16	6201060	Screw, #8x1-1/4" PH FLAT TAP	68	4181421	Top Crisper Slide Assy, Narrow-RH
17	0164940	Drain Pan	69	4181411	Top Crisper Slide Assembly, Wide-RH
18	0169840	Kickplate Support	70	6201270	Screw, #8-18 x 5/8" PH PN SS-Gnd
19	6200010	Screw, #10-12 x 3/4" Pan HD	71	3421780	Humidity Drawer Slide-Frame
20	0169820	Kickplate, Black-Solid	72	3421732	Crisper Filler Strip, Wide
	0168210	Kickplate, Stainless Steel	73	3421731	Crisper Filler Strip, Narrow
21	6200050	Screw, #10-12 x 1/2" Pan HD	74	6201270	Screw, #8-18 x 5/8" PH PN SS-Gnd
	6200720	Screw, #8-18 x 1/2 PH Truss HD	75	4181480	Small Storage Drawer Assembly
22	6201310	Screw, #8 x 1-3/4" Flat PH HD	76	3421691	Bott Crisper Slide Support, Narrow
23	3602072	Fre Shelf Ladder, Left (See SN Breaks)	77	3421692	Bott Crisper Slide Support, Wide
	3602230	Fre Shelf Ladder, Left (See SN Breaks)	78	3413112	Bot Crisper Slide, Cabinet - Left
24	3602071	Fre Shelf Ladder, Right (See SN Breaks)	79	3413111	Bot Crisper Slide, Cabinet - Right
	3602220	Fre Shelf Ladder, Right (See SN Breaks)	80	6201230	Screw, #8 x 7/8" w/a #7 PH FT Head
25	6200710	Screw, #8-18 x 3/8" Fillister HD	81	N/A	
26	0200910	Freezer Duct (See SN Breaks)	82	N/A	
	0201150	Freezer Duct (See SN Breaks)	83	N/A	
27	6200710	Screw, #8-18 x 3/8" Fillister HD	84	0168120	Back Duct (See SN Breaks)
28	6201270	Screw, #8-18 x 5/8" PH PN SS-Gnd		0169600	Back Duct (See SN Breaks)
29	4151410	Refrig. Upper Left Shelf Ladder Assy	85	6201060	Screw, #8x1-1/4" PH FLAT TAP
30	4151400	Tank Cover Bracket Assembly	86	6200210	Screw, #8-32 x 1/2" Flat Head
31	3602060	Refrig. Shelf Ladder, Lower Left	87	6200140	Screw, #8-15 x 3/8" Truss HD
32	3601811	Refrig. Shelf Ladder, Right	88	3412280	Egg Tray Cover
33	6200710	Screw, #8-18 x 3/8" Fillister HD	89	3412270	Egg Tray
34	0201140	Refrigerator Evaporator Cover	90	4131810	Egg Tray with Cover
35	3050190	Light Socket, Single	91	4181680	Juice Can Rack Assy (See SN Breaks)
36	3030030	Light Bulb, 40 Watt		4181860	Juice Can Rack Assy (See SN Breaks)
37	4161120	Light Assy, Fre Evap Frnt(See SN Breaks)	92	3050170	Light Socket, Single; Straight
	4161500	Light Assy, Fre Evap Frnt(See SN Breaks)	93	2811217	Breaker Strip, Ref Top (See SN Breaks)
38	6201270	Screw, #8-18 x 5/8" PH PN SS-Gnd	94	2811218	Breaker Strip, Ref Bot (See SN Breaks)
39	6200140	Screw, #8-15 x 3/8" Truss HD	95	2811219	Breaker Strip, Fre Top (See SN Breaks)
40	6201330	Screw, #8-18 x 5/8" PH PN SS-Gnd	96	2811220	Breaker Strip, Fre Bot (See SN Breaks)
41	3520420	Insert / Diffuser Stand-off		4203920	Patch, Fre Face Frm Sill(See SN Breaks)
42	3601980	Freezer Wire Shelf (See SN Breaks)	97	2811205	Brkr Strip; Fre/LS, Ref/RS(See SN Breaks)
	3602210	Freezer Wire Shelf (See SN Breaks)	98	1811300	Breaker Strip, Mullion (See SN Breaks)
43	4151910	Cover Assy, Lwr Evap (See SN Breaks)	99	0212420	Water Reservoir Tank Cover
	4151970	Cover Assy, Lwr Evap (See SN Breaks)	100	4280950	Compsr. Shroud Assy (See SN Breaks)
44	3550620	Snap Pin	101	3602041	Glass Shelf, Spill Proof
45	3500620	Freezer Lower Light Diffuser	102	6150200	Nut, 1/4-20 Hex
46	6200140	Screw, #8-15 x 3/8" Truss HD	103	4202860	Blocking Components; 42"
47	6201270	Screw, #8-18 x 5/8" PH PN SS-Gnd	104	3411890	Shim, Fre Basket Slide (See SN Breaks)
48	6201330	Screw, #8-18 x 5/8" PH PN SS-Gnd		2121120	Shim, Fre Basket Slide (See SN Breaks)
49	3520420	Insert / Diffuser Stand-off			

680 COSMETIC VIEW

103- Blocking Kit
(Not Shown)

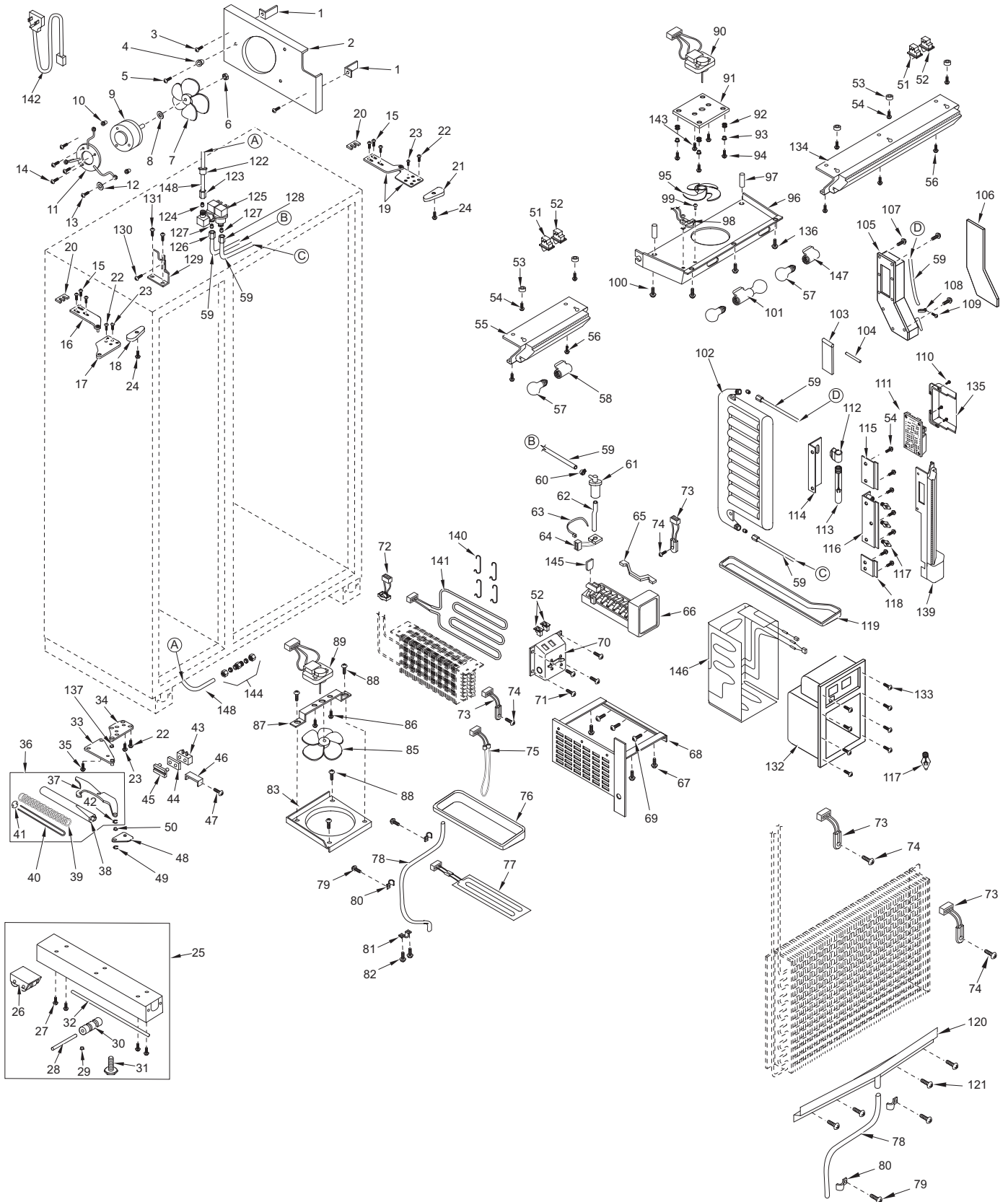


680 MECHANICAL PARTS LIST (1 of 2)

Ref #	Part #	Description	Ref #	Part #	Description
1	3450290	Angle Bracket	49	3450560	E-Ring, 7/16"
2	0169510	Condenser Fan Shroud	50	3450550	E-Ring / Klipping , 5/16"
3	6200010	Screw, #10-12 x 3/4" Pan HD	51	3060140	SPST Light Switch
4	3420670	Screw Spacer	52	3060130	SPST Fan/Icemaker Switch
5	6200450	Screw, #8 x 1" Type AR Flat	53	6160240	Nylon Spacer
6	6150410	Nut, 1/4-20	54	6200720	Screw, #8-18 x 1/2 PH Truss HD
7	3150320	Fan Blade, Cond, 5 prop, 7"	55	4161091	Frzr Front Panel Assy (See SN Breaks)
8	3210340	Neoprene Silencer, 7/8"		4161471	Frzr Front Panel Assy (See SN Breaks)
9	4200740	Motor Pkg, Cond Fan (blade not incl.) (See SN Breaks)	56	6201270	Screw, #8-18 x 5/8" PH PN SS-Gnd
	4200741	Motor Pkg, Cond Fan (blade not incl.) (See SN Breaks)	57	3030030	Light Bulb, 40 Watt
10	6150330	Well Nut, .75D x .804", #10-32	58	3050190	Light Socket, Single
11	3150650	Condenser Fan Bracket	59	2600617	Plastic Water Line
12	6240350	Fender Washer, .25x1.25x.06	60	6220470	Fill Tube Clamp
13	6201280	Machine Screw, #10-32 x 1-1/4"	61	1607700	Water Inlet Tube
14	6200490	Screw, #8-32 x 3/8" Slotted Hex T25	62	2605411	Water inlet Tube extension, 2.06"
15	6110070	Bolt, 1/4-20x3/4 Spinlock Zinc	63	6120450	Locking Cable Tie 9.7" BLK
16	4151272	Cabinet Hinge Assy, Upper LH	64	3013820	Fill Tube Heater
17	4151472	Door Hinge Assy, Top LH	65	3140390	Icemaker Rudder Arm
18	3541018	Top Cabinet Hinge Cover, LH	66	4200522	Icemaker Assembly
19	4324250	Cbnt Hng Assy, Upr RH(See SN Breaks)	67	6201000	Screw #8-32X3/8 Thread Forming
	4325070	Cbnt Hng Assy, Upr RH(See SN Breaks)	68	4202970	Ice Bucket Main Frame Assembly
20	0168680	Shim - Hinge	69	6201270	Screw, #8-18 x 5/8" PH PN SS-Gnd
21	3541017	Top Cabinet Hinge Cover, RH	70	4220420	Auger Motor Assy (Incl motor & switches)
22	6110540	Bolt, #10-24 x 1/2" Flat Socket HD	71	6201270	Screw, #8-18 x 5/8" PH PN SS-Gnd
23	6200390	Screw, #6 x 3/8" T25 Flat Head PH	72	3082060	Defrost Terminator
24	6200140	Screw, #8-15 x 3/8" Truss HD	73	3014350	Thermistor
25	4110353	Base Assy (w/rollers)	74	6201270	Screw, #8-18 x 5/8" PH PN SS-Gnd
26	4110331	Base Rear Roller Assy	75	3013540	Drain Tube Heater (See SN Breaks)
27	6200010	Screw, #10-12 x 3/4" Pan HD		3070170	Drain Tube Heater (See SN Breaks)
28	3550560	Straight Pin, Base Assy - .312" x 2.88"	76	4190210	Fre Drain Trough Assy (See SN Breaks)
29	3450620	Canoe Clip		4190290	Fre Drain Trough Assy (See SN Breaks)
30	3421240	Cabinet Roller (Single)	77	4323200	Freezer Drain Trough Heater Assy
31	3570050	Leveling Leg, #18-3/8 x 1"	78	1601400	Drain Tube, Wire - 1/2" x 72"
32	6110580	Adjusting Screw	79	6200010	Screw, #10-12 x 3/4" Pan HD
33	4151281	Cabinet Hinge Assy, Lower RH	80	6120050	Tube Clamp, Plastic, 5/8"
	4151282	Cabinet Hinge Assy, Lower LH	81	6120210	U-Clamp, 5/8"
34	4151241	Door Hinge, Bottom RH	82	6200010	Screw, #10-12 x 3/4" Pan HD
	4151242	Door Hinge, Bottom LH	83	0234210	Fre Evap Fan Shrd Assy(See SN Breaks)
35	6110070	Bolt, 1/4-20x3/4 Spinlock Zinc		0234910	Fre Evap Fan Shrd Assy(See SN Breaks)
36	4201111	Door Closer Assy, RH	84	N/A	
	4201112	Door Closer Assy, LH	85	3150570	Fan Blade - ECM
37	0183111	Door Closer Arm - RH	86	6200060	Screw, #8-32 x 1/2" Pan HD
	0183112	Door Closer Arm - LH	87	0234220	Freezer Fan Bracket
38	3421300	Door Closer Housing	88	6200850	Screw, #8 x 3/4" PH FH Hi-lo
39	3450530	Door Closer Spring	89	4200160	Freezer Fan Mtr Cmpnts (Blade not Incl.)
	3450710	Low Pull Door Closer Spring	90	4200170	Refrig. Fan Mtr Cmpnts (Blade not Incl.)
40	3421290	Door Closer Linkage	91	0211620	Refrig Fan Bracket (See SN Breaks)
41	0165980	Door Closer Spring Retainer		0212520	Refrig Fan Bracket (See SN Breaks)
42	3421260	Door Closer Bearing	92	3220250	Grommet, 3/16" x 7/16" x 9/32"
43	3450570	Door Closer Cushion	93	3520410	Brass Insert, Fan
44	0165970	Door Closer Guide Support	94	6110270	Bolt, #10-32 x 1/4" RD HD
45	3421310	Door Closer Guide	95	3150640	Fan blade, Ref/Fre Evap.
46	0166360	Door Stop Cushion Retainer	96	4161480	Refrig. Fan Shroud Assy
47	6180010	Pop Rivet, 1/8"	97	6220540	Screw Grommet / Stand-off
48	DS90	Door Stop - 90 Degree	98	3082140	Light Terminator
	DS105	Door Stop - 105 Degree	99	6180010	Pop Rivet, 1/8"
			100	6201010	Screw, #8-15 x 2" Pan Head

(CONTINUED ON PAGE 8-80)

680 MECHANICAL VIEW (1 of 2)

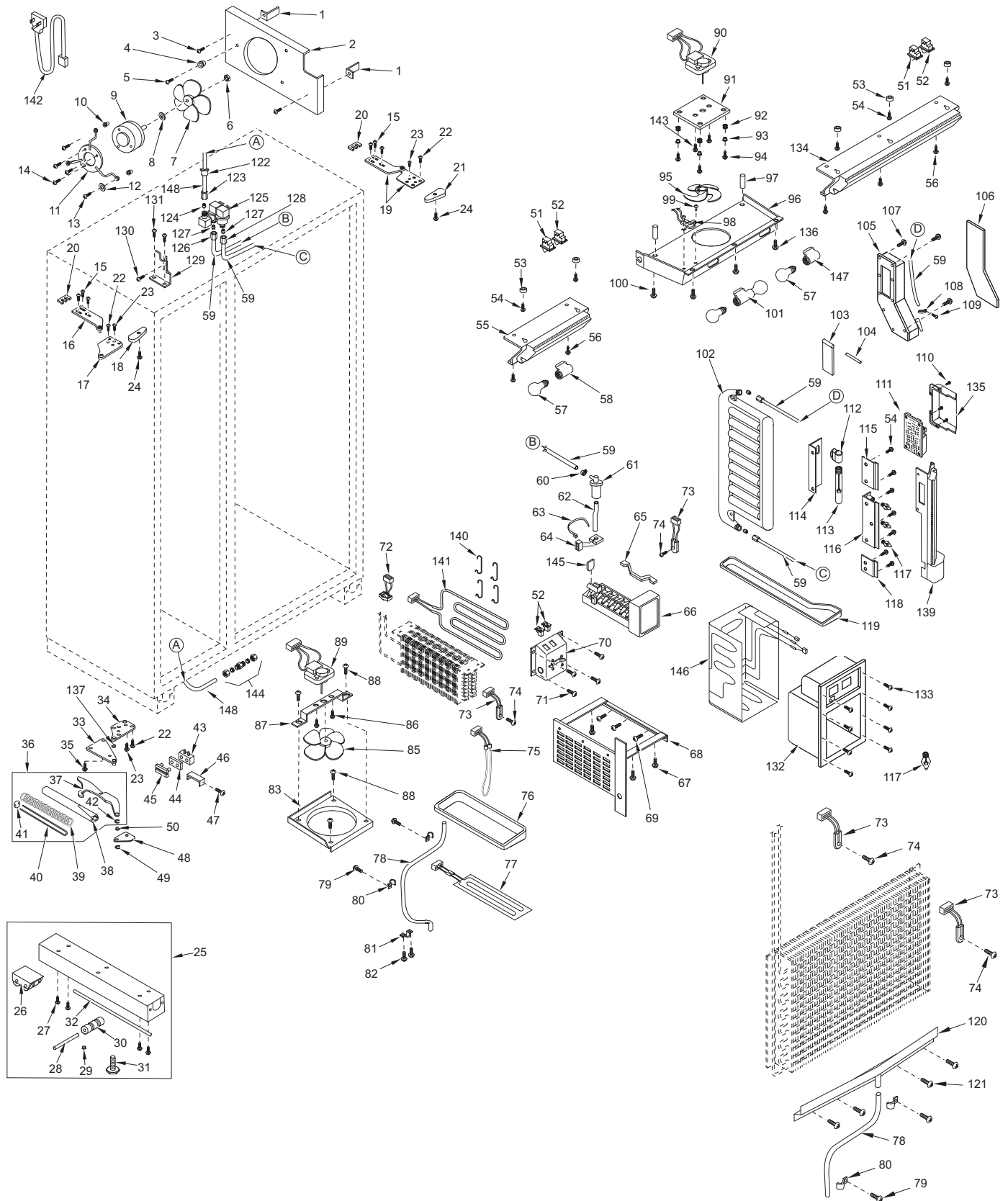




680 MECHANICAL PARTS LIST (2 of 2)

Ref #	Part #	Description	Ref #	Part #	Description
(CONTINUED FROM PAGE 8-78)			123	3520390	Compression Fitting
			124	3520390	Compression Fitting
101	3050180	Light Socket, Double (See SN Breaks)	125	3090280	Dual Water Valve
	3050250	Sckt, Light M Base Dbl (See SN Breaks)	126	3520380	Compression Nut
	3050190	Light Socket, Single (See SN Breaks)	127	3520050	Brass Insert, Solenoid
	3050230	Skt, Light M Base Sngl (See SN Breaks)	128	3520390	Compression Fitting
102	4181710	Water Resrvr Tank Assy (Incl water lines)	129	0167830	Solenoid Bracket
103	3515940	Mullion Chute Door	130	6200060	Screw, #8-32 x 1/2" Pan HD
104	3421360	Chute Door Rod	131	6201270	Screw, #8-18 x 5/8" PH PN SS-Gnd
105	4181230	Ice Chute/Water Nozzle Assembly	132	4200960	Door Dispenser Assembly
106	3411530	Ice Chute Cover	133	6200850	Screw, #8 x 3/4" PH FH Hi-lo
107	6201270	Screw, #8-18 x 5/8" PH PN SS-Gnd	134	4161081	Ref. Front Panel Assy (See SN Breaks)
108	6120120	Tube Clamp, 3/8" Stl w/nut		4161321	Ref. Front Panel Assy (See SN Breaks)
109	6200330	Screw, #8-18 x 3/8" Pan Head	135	3413380	Control Enclosure (See SN Breaks)
110	6201270	Screw, #8-18 x 5/8" PH PN SS-Gnd		3413810	Control Enclosure (See SN Breaks)
111	4202811	Cntrl Brd Pkg-Dual/Disp (See SN Breaks)	136	6201270	Screw, #8-18 x 5/8" PH PN SS-Gnd
	4203530	Cntrl Brd Pkg-Dual/Disp(See SN Breaks)	137	3421270	Hinge Bearing, 3/8" x 5/8"
112	3050010	Light Socket, 3/4 Single (See SN Breaks)	138	N/A	
	3050220	Socket, Light Base Sngl (See SN Breaks)	139	4160932	Vertical Cntrl Pnl Assy (See SN Breaks)
113	3030040	Light Bulb, Long/Narrow; 40 watt		4161462	Vertical Cntrl Pnl Assy (See SN Breaks)
114	0169910	Bracket, Display Light (See SN Breaks)	140	1801100	Heater Clip
	0212790	Bracket, Display Light (See SN Breaks)	141	4323190	Defrost Heater Assy (See SN Breaks)
115	0212270	Control Panel Retainer, Upper		4324500	Defrost Heater Assy (See SN Breaks)
116	0212280	Control Panel Retainer, Mid	142	4321820	Power Cord
117	3030070	Light Bulb, 7W	143	6110270	Bolt, #10-32 x 1/4" RD HD
118	0212290	Control Panel Retainer, Lower	144	3520250	Water Inlet Fitting Assy
119	0212410	Mullion Trough	145	3140360	Fill Cup Plug
120	4190240	Drain Trough Assembly (See SN Breaks)	146	4323180	Glass Well Heater (See SN Breaks)
	0212600	Drain Trough Assembly (See SN Breaks)		4324680	Glass Well Heater (See SN Breaks)
121	6201270	Screw, #8-18 x 5/8" PH PN SS-Gnd	147	3050190	Light Socket, Single
122	3024010	Heat Shrink/Spray Cvr (Also order 6120180)	148	2604163	Water Inlet Line, Copper

680 MECHANICAL VIEW (2 of 2)

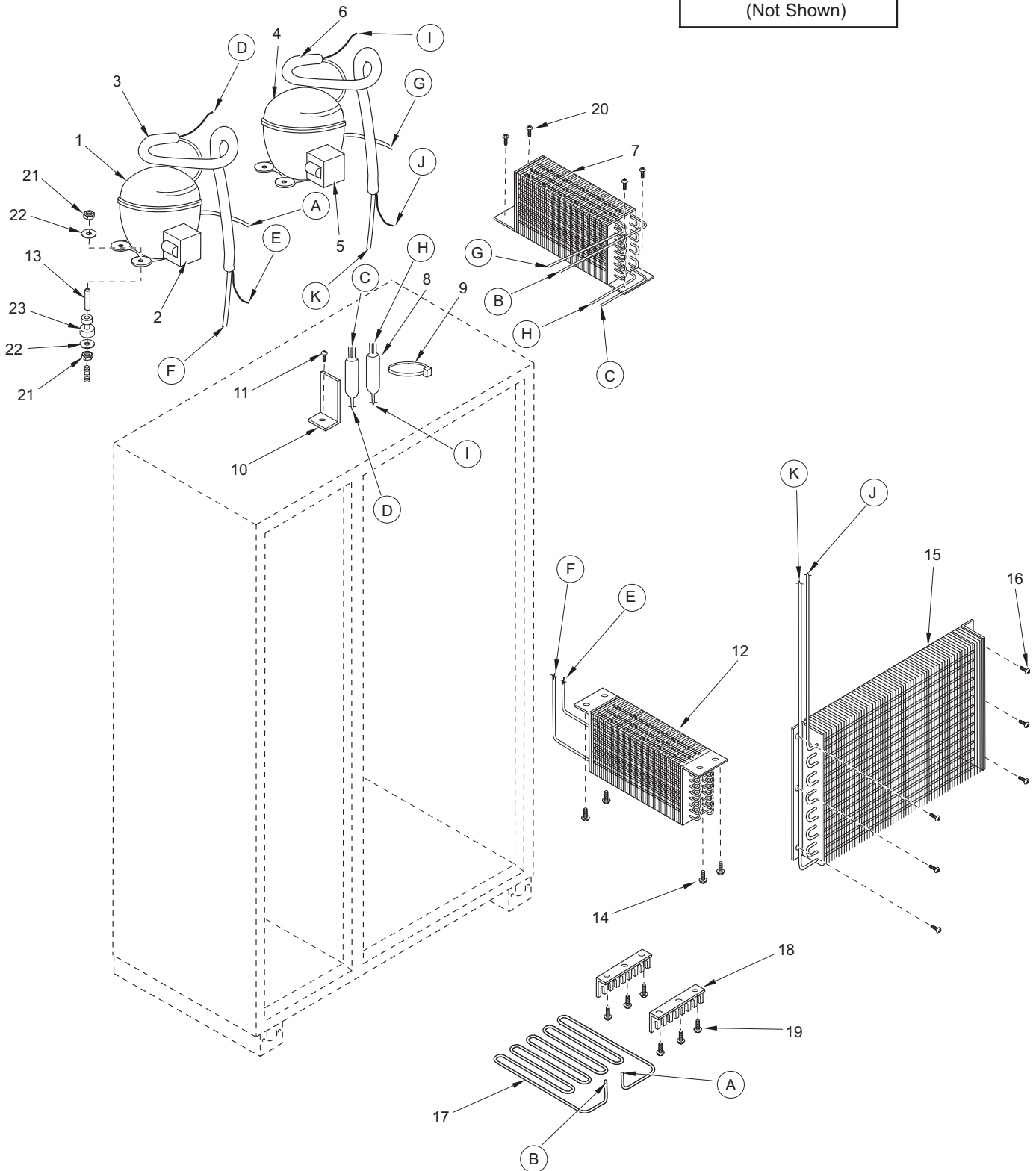


680 SEALED SYSTEM PARTS LIST

<u>Ref #</u>	<u>Part #</u>	<u>Description</u>
1	4202250	Compressor, Freezer (DA73) (See SN Breaks)
	4202280	Compressor, Freezer (EMI60HER) (See SN Breaks)
2	3111041	Relay, (PTH490D-AS100) (Used with DA73 Compressor)
	3111460	Relay, (1351408) (Used with EMI60HER Compressor)
	3111430	Overload, (4TM419MFB) (Used with DA73 Compressor)
	3111470	Overload, (4TM757NFB) (Used with EMI60HER Compressor)
	3111070	Running Capacitor, (12Mf) (Used with DA73 Compressor)
3	4251340	Heat Exchanger, Freezer
4	4201880	Compressor, Refrig. (EMI30HER)
5	3111370	Relay, (1351400 - For EMI30HER Comp)
	3111410	Overload, (4TM734LFB - For EMI30HER Comp)
6	4251240	Heat Exchanger, Refrigerator
7	3120330	Condenser, Dual
8	3014230	Filter-Drier, High Side
9	6120170	Locking Cable Tie, Red, 11-1/2"
10	0168040	Drier Bracket
11	6201270	Screw, #8-18 x 5/8" PH PN SS-Gnd
12	4211460	Fre Evap Assy (Incl heat exch. & electricals) (See SN Breaks)
	4211640	Fre Evap Assy (Incl heat exch. & electricals) (See SN Breaks)
13	6160030	Spacer, 5/16 x 7/16 x 5/8"
	6160070	Sleeve, 5/16 x 7/16 x 7/8"
14	6201270	Screw, #8-18 x 5/8" PH PN SS-Gnd
15	3130420	Evaporator, Refrig.
16	6201270	Screw, #8-18 x 5/8" PH PN SS-Gnd
17	2600138	Drain Pan Heater Loop
18	3421410	Drain Pan Heater Loop Support
19	6200010	Screw, #10-12 x 3/4" Pan HD
20	6200010	Screw, #10-12 x 3/4" Pan HD
21	6150220	Nut, 5/16-18 Hex Zinc
22	6240050	Flat Washer, 5/16"
23	3150010	Rubber Grommet, Small, 5/8"
	3150170	Rubber Grommet, Large, 15/16"
24	3014100	Suction Line Drier (Service Only)

680 SEALED SYSTEM VIEW

24 - Suction Line Drier
(Not Shown)

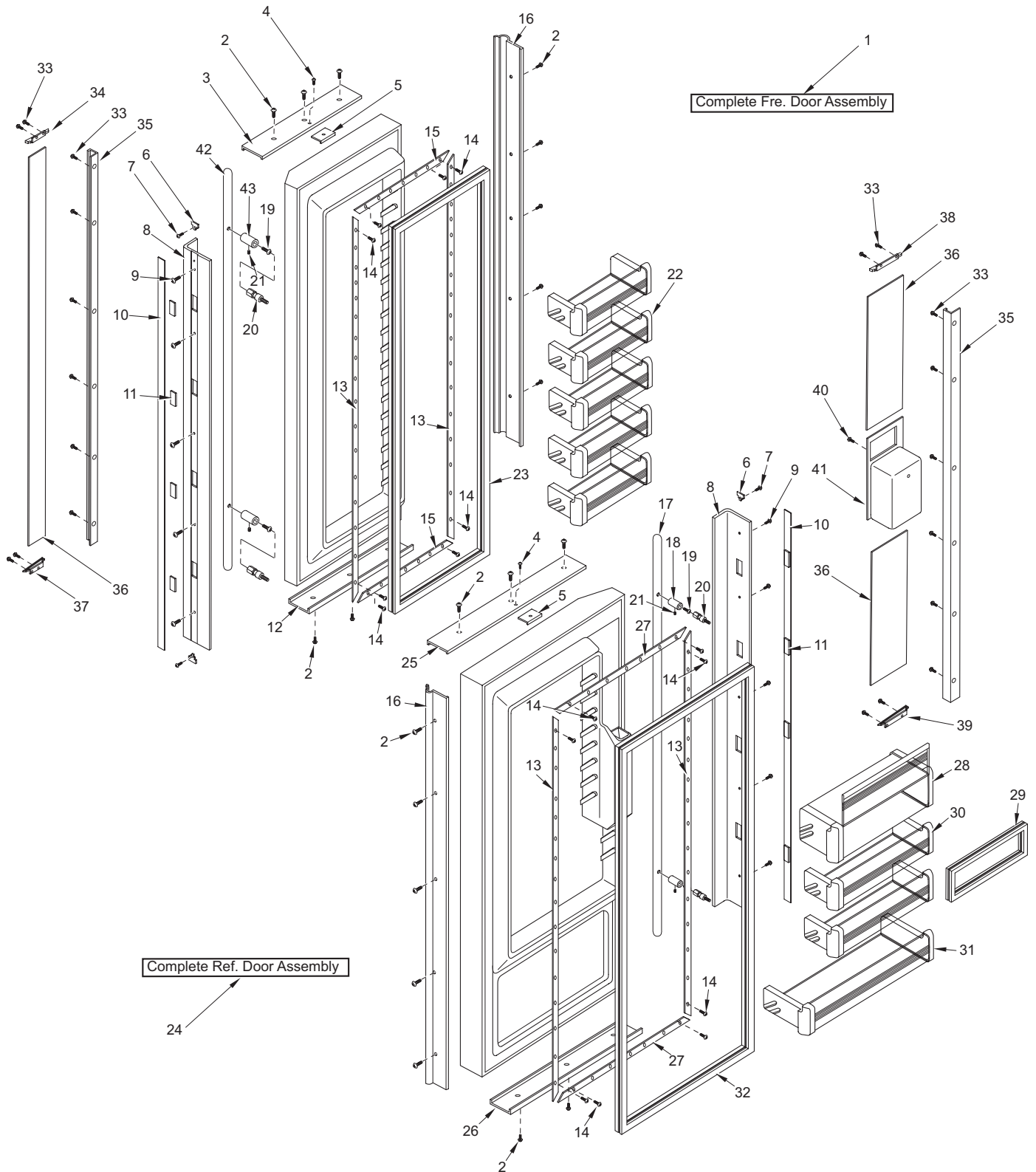




690 DOOR PARTS LIST

Ref #	Part #	Description	Ref #	Part #	Description
1	4132605	Fre Door Assy-Framd(See SN Breaks)	28	4330600	Dairy Compartment Assembly
	4132975	Fre Door Assy-Framd(See SN Breaks)	29	3211840	Dairy Compartment Gasket
	4132625	Fre Door Assy - SS (See SN Breaks)	30	4330590	Upper Refrig. Door Shelf Assembly
	4133195	Fre Door Assy - SS (See SN Breaks)	31	4330470	Refrig. Door Shelf Assembly (Regular)
2	6200720	Screw, #8-18 x 1/2 PH Truss HD		4330520	Gallon Door Shelf Assy (Sales Acc.)
3	2230603	Door Trim, Top; Freezer	32	3212110	Door Gasket, Refrigerator
4	6200720	Screw, #8-18 x 1/2 PH Truss HD	33	6200840	Screw, #10 x 1/2" PH FH AB SS
5	4200940	Switch Depressor (Includes Screw)	34	3413451	Top Trim Filler, Freezer Door
6	3413340	Handle/Trim End Cap	35	3511470	Vertical Trim Strip
7	6180160	Rivet, Open End Blind, 1/8" X 3/16"	36	P1/P2	Hndl Insrt-Brt White / Almond Buff
8	4132650	Door Handle Assy, 67.88"		P3/P4	Handle Insert-Camel/Adobe
9	6201300	Tapping Screw, #8 x 1/2"		P5	Handle Insert-Brushed Pewter
10	4131860	Handle/Trim Molding Assembly		P6/P7	Hndl Insrt-Smoke Gray / Charcoal
11	3451000	Magnet, Trim Strip - 3"		P8/P9	Hndl Insrt-Port Brown / Black Slate
12	2230604	Door Trim, Bottom; Freezer		P10	Handle Insert-Stainless Steel
13	3420260	Gasket Retainer, 66.875"		P11	Handle Insert-White Enamel
14	6200410	Screw, #8 x 1/2" Slot Head Hex		P12	Handle Insert-Avocado Enamel
15	3420140	Gasket Retainer, 16.125"		P13	Handle Insert-Harvest Gold Enamel
16	3511131	Door Trim, Hinge Side - Mitered Corner		P14	Handle Insert-Almond Enamel
	3511130	Door Trim, Hinge Side - (SS Model)		P15	Handle Insert-Coffee Enamel
17	4132630	Handle Assy, SS 7/8"D X 43"L-Ref (Incl Stnd-off) (See SN Breaks)	37	3413452	Bottom Trim Filler, Freezer Door
	4133100	Handle Assy, SS 1"D Rnd-Ref (Incl Stnd-off) (See SN Breaks)	38	3413441	Top Trim Filler, Refrig. Door
	4133650	Handle Assy, SS 1"D Blnt-Ref (Incl Stnd-off) (See SN Breaks)	39	3413442	Bottom Trim Filler, Refrig. Door
	4133740	Handle Assy, SS OBR Standoff-Ref (See SN Breaks)	40	6200900	Screw, #8 x 1/2" PH FH Hi-lo
18	3511490	Refrig Hndl Stand-off, 7/8"D / 3.5 Deg. (See SN Breaks)	41	G1	Glass Well-Bright White
	3511850	Refrig Hndl Stand-off, 1"D / 3.5 Deg. (See SN Breaks)		G2	Glass Well-Almond Buff
	3512170	Standoff, SS Oval, Ref 4 Deg.		G3	Glass Well-Camel
19	6110720	Bolt #10-24X1/2 Socket HD Cap		G4	Glass Well-Adobe
20	3511520	Handle Mounting Stud		G5	Glass Well-Brushed Pewter
21	6110730	Set Screw #10-32 X 1/4 SS Cone		G6	Glass Well-Smoke Gray
22	4330460	Fre Door Shelf Assy (See SN Breaks)		G7	Glass Well-Charcoal
	4330660	Fre Door Shelf Assy (See SN Breaks)		G8	Glass Well-Port Brown
23	3211090	Door Gasket, Fre (See SN Breaks)		G9	Glass Well-Black Slate
	3212090	Door Gasket, Fre (See SN Breaks)		3413410	Glass well-Stnls Steel (SS Model Only)
24	4132595	Ref Door Assy-Framd(See SN Breaks)	42	4132640	Fr Hndl Assy,7/8"DX43"L (Incl Stnd-off) (See SN Breaks)
	4132965	Ref Door Assy-Framd(See SN Breaks)		4133110	Fre Hndl Assy,1"DX43"L (Incl Stnd-off) (See SN Breaks)
	4132615	Ref Door Assy- SS (See SN Breaks)		4133660	Handle Assy, Fre 1"D X 43"L (Blunt) (Incl. Stand-offs) - (See SN Breaks)
	4133185	Ref Door Assy- SS (See SN Breaks)	43	3511480	Fre. Handle Stand-off, 7/8"D / 10 Deg. (See SN Breaks)
25	2230601	Door Trim, Top; Refrigerator		3511860	Fre. Handle Stand-off, 1"D / 10 Deg. (See SN Breaks)
26	2230602	Door Trim, Bottom; Refrigerator		3152180	Standoff, SS Oval, Fre 10 Deg. (See SN Breaks)
27	3420200	Gasket Retainer, 27.062"			

690 DOOR VIEW

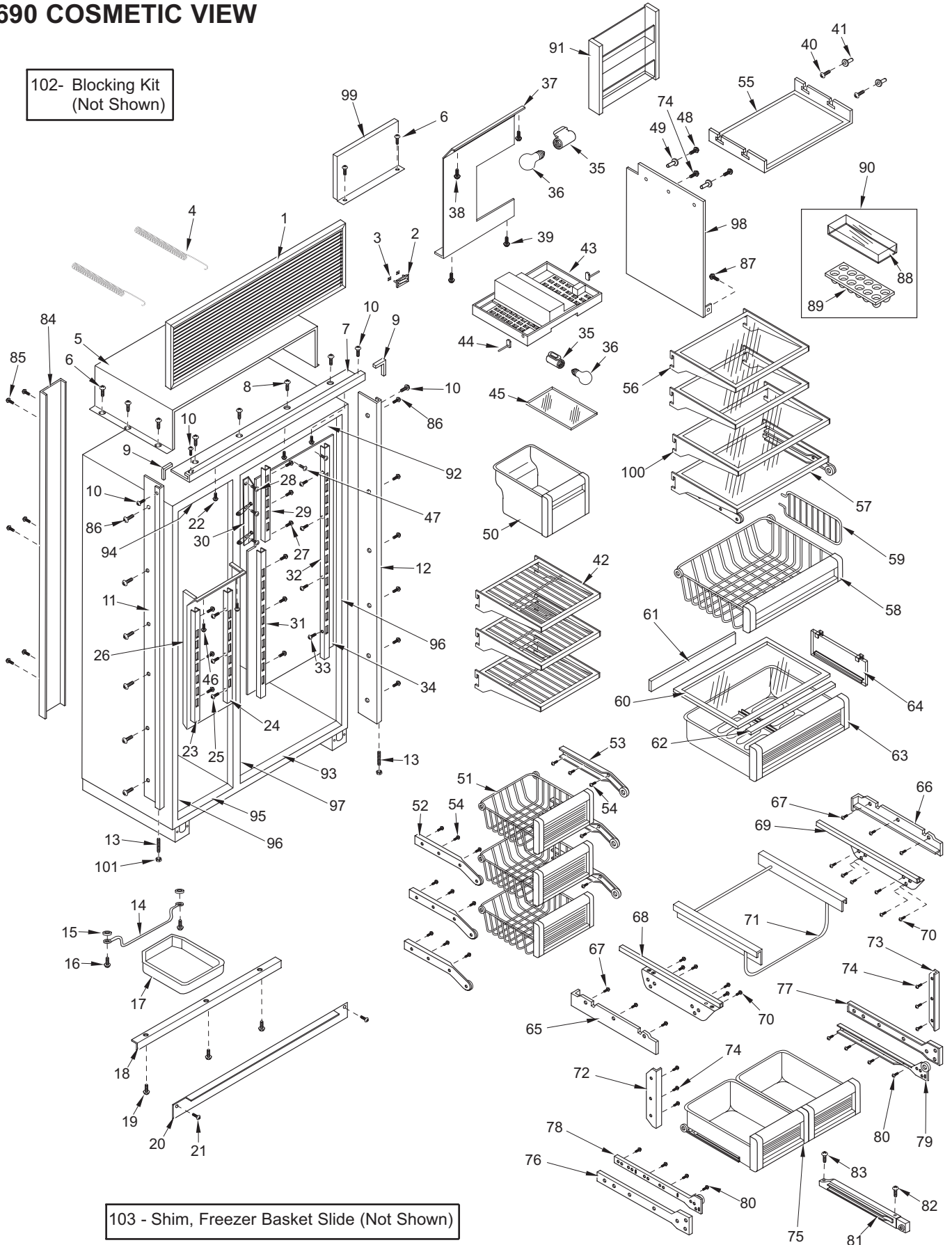


690 COSMETIC PARTS LIST

Ref #	Part #	Description	Ref #	Part #	Description
1	6LG4811	Louvered Grille Assembly, 48" x 11"	50	4181180	Ice Bucket Assy
	6PG4811	Panel Grille Assembly, 48" x 11"	51	4181570	Freezer Basket Assy (See SN Breaks)
	6SG4811	SS Grille 48" x 11" (See SN Breaks)		4181820	Freezer Basket Assy (See SN Breaks)
	6SG4811/S	SS Grille,48X11-CLSIC (See SN Breaks)	52	4180972	Fre Bskt Slide Assy-LH (See SN Breaks)
2	3580230	Nameplate w/ Pegs		4181842	Fre Bskt Slide Assy-LH (See SN Breaks)
	3580210	Name Plate, Stick-on	53	4180971	Fre Bskt Slide Assy-RH (See SN Breaks)
3	6150140	Spring Grip Nut, 1/8"		4181841	Fre Bskt Slide Assy-RH (See SN Breaks)
4	3450900	Grille Spring	54	6200450	Screw, #8 x 1" Type AR Flat
5	4281080	Unit Shroud Assembly	55	4161580	Refrig. Light Diffuser Assembly
6	6200230	Screw, #8-18 x 1/2" Hex Head	56	3602050	Glass Shelf, Refrig Upper, Spill Proof
7	2229704	Main Frame, Top	57	4181560	Refrig. Roll-out Shelf Assy
8	6200010	Screw, #10-12 x 3/4" Pan HD	58	4181540	Refrig. Roll-out Basket Assy
9	2210701	Main Frame Angle	59	3411160	Ref Roll-Out Bskt Divider
10	6200070	Screw, #4-24 x 3/8" Flat HD	60	4151770	Crisper Glass Assembly (Incl Seals)
11	4120590	Main Frame Assy, Left (See SN Breaks)	61	3211770	Crisper Glass Seal, Rear
	4120830	Main Frame Assy, Left (See SN Breaks)	62	3211740	Crisper Glass Seal, Front
12	4120580	Main Frame Assy,Right (See SN Breaks)	63	4181460	High Humidity Drawer Assembly
	4120820	Main Frame Assy,Right (See SN Breaks)	64	3413100	Drawer Divider
13	3550190	Bottom Hinge Stud	65	3421711	Top Crspr Glass Support, Narrow-RH
14	3420760	Drain Pan Holder	66	3421721	Top Crisper glass Support, Wide-RH
15	3420670	Screw Spacer	67	6201130	Screw, #8x 1/2" PH FL HD SS
16	6201060	Screw, #8x1-1/4" PH FLAT TAP	68	4181421	Top Crisper Slide Assy, Narrow-RH
17	0164940	Drain Pan	69	4181411	Top Crisper Slide Assembly, Wide-RH
18	0169970	Kickplate Support	70	6201270	Screw, #8-18 x 5/8" PH PN SS-Gnd
19	6200010	Screw, #10-12 x 3/4" Pan HD	71	3421760	Humidity Drawer Slide-Frame
20	0260150	Kickplate, Black-Solid	72	3421732	Crisper Filler Strip, Wide
	0167810	Kickplate, Stainless Steel	73	3421731	Crisper Filler Strip, Narrow
21	6200050	Screw, #10-12 x 1/2" Pan HD	74	6201270	Screw, #8-18 x 5/8" PH PN SS-Gnd
	6200720	Screw, #8-18 x 1/2 PH Truss HD	75	4181490	Small Storage Drawer Assembly
22	6201310	Screw, #8 x 1-3/4" Flat PH HD	76	3421691	Bott Crisper Slide Support, Narrow
23	3602072	Fre Shelf Ladder, Left (See SN Breaks)	77	3421692	Bott Crisper Slide Support, Wide
	3602230	Fre Shelf Ladder, Left (See SN Breaks)	78	3413112	Bot Crisper Slide, Cabinet - Left
24	3602071	Fre Shelf Ladder, Right (See SN Breaks)	79	3413111	Bot Crisper Slide, Cabinet - Right
	3602220	Fre Shelf Ladder, Right (See SN Breaks)	80	6201230	Screw, #8 x 7/8" w/a #7 PH FT Head
25	6200710	Screw, #8-18 x 3/8" Fillister HD	81	4181430	Center Crisper Slide Assembly
26	0200890	Freezer Duct (See SN Breaks)	82	6201120	Screw, #8-18 x 1.75 Truss SS
	0201180	Freezer Duct (See SN Breaks)	83	6201130	Screw, #8x 1/2" PH FL HD SS
27	6200710	Screw, #8-18 x 3/8" Fillister HD	84	0168120	Back Duct (See SN Breaks)
28	6201270	Screw, #8-18 x 5/8" PH PN SS-Gnd		0169600	Back Duct (See SN Breaks)
29	4151410	Refrig. Upper Left Shelf Ladder Assy	85	6201060	Screw, #8x1-1/4" PH FLAT TAP
30	4151400	Tank Cover Bracket Assembly	86	6200210	Screw, #8-32 x 1/2" Flat Head
31	3602060	Refrig. Shelf Ladder, Lower Left	87	6200140	Screw, #8-15 x 3/8" Truss HD
32	3601811	Refrig. Shelf Ladder, Right	88	3412280	Egg Tray Cover
33	6200710	Screw, #8-18 x 3/8" Fillister HD	89	3412270	Egg Tray
34	0201170	Refrigerator Evaporator Cover	90	4131810	Egg Tray with Cover
35	3050190	Light Socket, Single	91	4181190	Juice Can Rack Assy (See SN Breaks)
36	3030030	Light Bulb, 40 Watt		4181880	Juice Can Rack Assy (See SN Breaks)
37	4161060	Light Assy,Fre Evap Frnt(See SN Breaks)	92	2811201	Breaker Strip, Ref Top (See SN Breaks)
	4161590	Light Assy,Fre Evap Frnt(See SN Breaks)	93	2811202	Breaker Strip, Ref Bot (See SN Breaks)
38	6201270	Screw, #8-18 x 5/8" PH PN SS-Gnd	94	2811203	Breaker Strip, Fre Top (See SN Breaks)
39	6200140	Screw, #8-15 x 3/8" Truss HD	95	2811204	Breaker Strip, Fre Bot (See SN Breaks)
40	6201330	Screw, #8-18 x 5/8" PH PN SS-Gnd		4203910	Patch,Fre Face Frm Sill(See SN Breaks)
41	3520420	Insert / Diffuser Stand-off	96	2811205	Brkr Strip;Fre/LS,Ref/RS(See SN Breaks)
42	3601870	Freezer Wire Shelf (See SN Breaks)	97	1811300	Breaker Strip, Mullion (See SN Breaks)
	3602200	Freezer Wire Shelf (See SN Breaks)	98	0212420	Water Reservoir Tank Cover
43	4151890	Fre Lwr Evap Cvr Assy (Incl light socket)	99	4280950	Compressor Shroud Assembly
44	3550610	Snap Pin	100	3601891	Glass Shelf, Spill Proof
45	3500620	Freezer Lower Light Diffuser	101	6150200	Nut, 1/4-20 Hex
46	6200140	Screw, #8-15 x 3/8" Truss HD	102	4201330	Blocking Components; 48"
47	6201270	Screw, #8-18 x 5/8" PH PN SS-Gnd	103	3411890	Shim, Fre Basket Slide (See SN Breaks)
48	6201330	Screw, #8-18 x 5/8" PH PN SS-Gnd		2121120	Shim, Fre Basket Slide (See SN Breaks)
49	3520420	Insert / Diffuser Stand-off			

690 COSMETIC VIEW

102- Blocking Kit
(Not Shown)



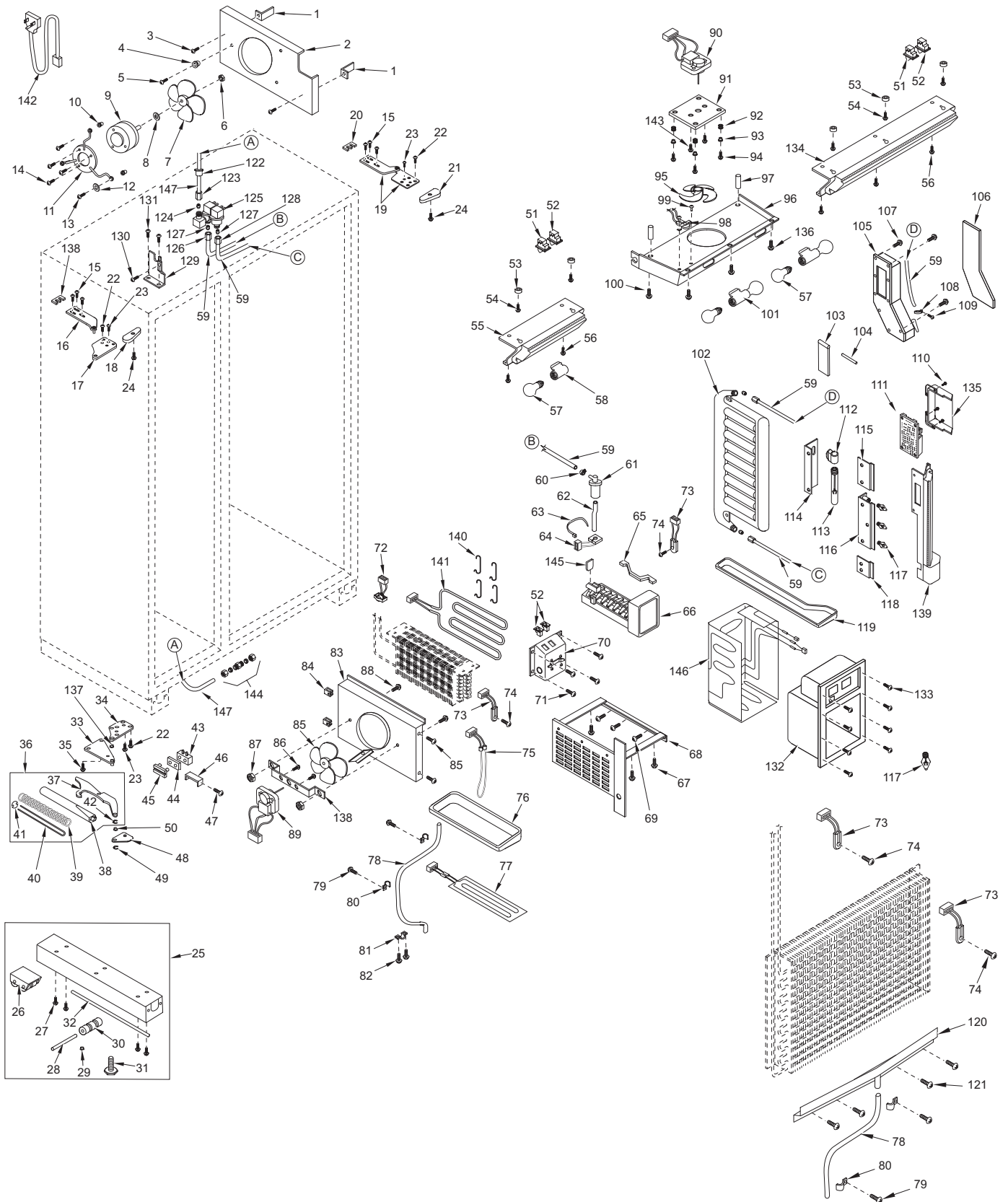
103 - Shim, Freezer Basket Slide (Not Shown)

690 MECHANICAL PARTS LIST (1 of 2)

Ref #	Part #	Description	Ref #	Part #	Description
1	3450290	Angle Bracket	50	3450550	E-Ring / Klipping , 5/16"
2	0169980	Condenser Fan Shroud	51	3060140	SPST Light Switch
3	6200010	Screw, #10-12 x 3/4" Pan HD	52	3060130	SPST Fan/Icemaker Switch
4	3420670	Screw Spacer	53	6160240	Nylon Spacer
5	6200450	Screw, #8 x 1" Type AR Flat	54	6200720	Screw, #8-18 x 1/2 PH Truss HD
6	6150410	Nut, 1/4-20	55	4160951	Freezer Front Pnl Assy (See SN Breaks)
7	3150320	Fan Blade, Cond, 5 prop, 7"		4161561	Freezer Front Pnl Assy (See SN Breaks)
8	3210340	Neoprene Silencer, 7/8"	56	6201270	Screw, #8-18 x 5/8" PH PN SS-Gnd
9	4200740	Motor Pkg, Cond Fan (blade not incl.) (See SN Breaks)	57	3030030	Light Bulb, 40 Watt
	4200741	Motor Pkg, Cond Fan (blade not incl.) (See SN Breaks)	58	3050190	Light Socket, Single (See SN Breaks)
10	6150330	Well Nut, .75D x .804", #10-32		3050230	Skt, Light M Base Sngl (See SN Breaks)
11	3150650	Condenser Fan Bracket	59	2600617	Plastic Water Line
12	6240350	Fender Washer, .25x1.25x.06	60	6220470	Fill Tube Clamp
13	6201280	Machine Screw, #10-32 x 1-1/4"	61	1607700	Water Inlet Tube
14	6200490	Screw, #8-32 x 3/8" Slotted Hex T25	62	2605411	Water inlet Tube extension, 2.06"
15	6110070	Bolt, 1/4-20x3/4 Spinlock Zinc	63	6120450	Locking Cable Tie 9.7" BLK
16	4151272	Cabinet Hinge Assy, Upper LH	64	3013820	Fill Tube Heater
17	4151472	Door Hinge Assy, Top LH	65	3140390	Icemaker Rudder Arm
18	3541018	Top Cabinet Hinge Cover, LH	66	4200522	Icemaker Assembly
19	4324250	Cbnt Hng Assy, Upr RH (See SN Breaks)	67	6201000	Screw #8-32X3/8 Thread Forming
	4325070	Cbnt Hng Assy, Upr RH (See SN Breaks)	68	4202820	Ice Bucket Main Frame Assembly
20	0168680	Shim - Hinge	69	6201270	Screw, #8-18 x 5/8" PH PN SS-Gnd
21	3541017	Top Cabinet Hinge Cover, RH	70	4220400	Auger Motor Assy (Incl motor & switches)
22	6110540	Bolt, #10-24 x 1/2" Flat Socket HD	71	6201270	Screw, #8-18 x 5/8" PH PN SS-Gnd
23	6200390	Screw, #6 x 3/8" T25 Flat Head PH	72	3082060	Defrost Terminator
24	6200140	Screw, #8-15 x 3/8" Truss HD	73	3014350	Thermistor
25	4110353	Base Assy (w/rollers)	74	6201270	Screw, #8-18 x 5/8" PH PN SS-Gnd
26	4110331	Base Rear Roller Assy	75	3013540	Drain Tube Heater (See SN Breaks)
27	6200010	Screw, #10-12 x 3/4" Pan HD		3070170	Drain Tube Heater (See SN Breaks)
28	3550560	Straight Pin, Base Assy - .312" x 2.88"	76	4190210	Fre Drain Trough Assy (See SN Breaks)
29	3450620	Canoe Clip		4190290	Fre Drain Trough Assy (See SN Breaks)
30	3421240	Cabinet Roller (Single)	77	4323200	Freezer Drain Trough Heater Assy
31	3570050	Leveling Leg, #18-3/8 x 1"	78	1601400	Drain Tube, Wire - 1/2" x 72"
32	6110580	Adjusting Screw	79	6200010	Screw, #10-12 x 3/4" Pan HD
33	4151281	Cabinet Hinge Assy, Lower RH	80	6120050	Tube Clamp, Plastic, 5/8"
	4151282	Cabinet Hinge Assy, Lower LH	81	6120210	U-Clamp, 5/8"
34	4151241	Door Hinge, Bottom RH	82	6200010	Screw, #10-12 x 3/4" Pan HD
	4151242	Door Hinge, Bottom LH	83	4280930	Fre Evap Fan Shrd (See SN Breaks)
35	6110070	Bolt, 1/4-20x3/4 Spinlock Zinc		4281350	Fre Evap Fan Shrd (See SN Breaks)
36	4201111	Door Closer Assy, RH	84	6120380	U-Type Clip
	4201112	Door Closer Assy, LH	85	3150060	Fan Blade; Freezer; 5 prop; 5-1/2"
37	0183111	Door Closer Arm - RH	86	6200060	Screw, #8-32 x 1/2" Pan HD
	0183112	Door Closer Arm - LH	87	6150160	Nut, #8-32 Hex
38	3421300	Door Closer Housing	88	6200060	Screw, #8-32 x 1/2" Pan HD
39	3450530	Door Closer Spring	89	4200160	Freezer Fan Mtr Cmpnts (Blade not Incl.)
	3450710	Low Pull Door Closer Spring	90	4200170	Refrig. Fan Mtr Cmpnts (Blade not Incl.)
40	3421290	Door Closer Linkage	91	0211620	Refrigerator Fan Brkt (See SN Breaks)
41	0165980	Door Closer Spring Retainer		0212520	Refrigerator Fan Brkt (See SN Breaks)
42	3421260	Door Closer Bearing	92	3220250	Grommet, 3/16" x 7/16" x 9/32"
43	3450570	Door Closer Cushion	93	3520410	Brass Insert, Fan
44	0165970	Door Closer Guide Support	94	6110270	Bolt, #10-32 x 1/4" RD HD
45	3421310	Door Closer Guide	95	3150640	Fan blade, Ref/Fre Evap.
46	0166360	Door Stop Cushion Retainer	96	4161570	Refrig. Fan Shroud Assy
47	6180010	Pop Rivet, 1/8"	97	6220540	Screw Grommet / Stand-off
48	DS90	Door Stop - 90 Degree	98	3082140	Light Terminator
	DS105	Door Stop - 105 Degree	99	6180010	Pop Rivet, 1/8"
49	3450560	E-Ring, 7/16"	100	6201010	Screw, #8-15 x 2" Pan Head

(CONTINUED ON PAGE 8-90)

690 MECHANICAL VIEW (1 of 2)

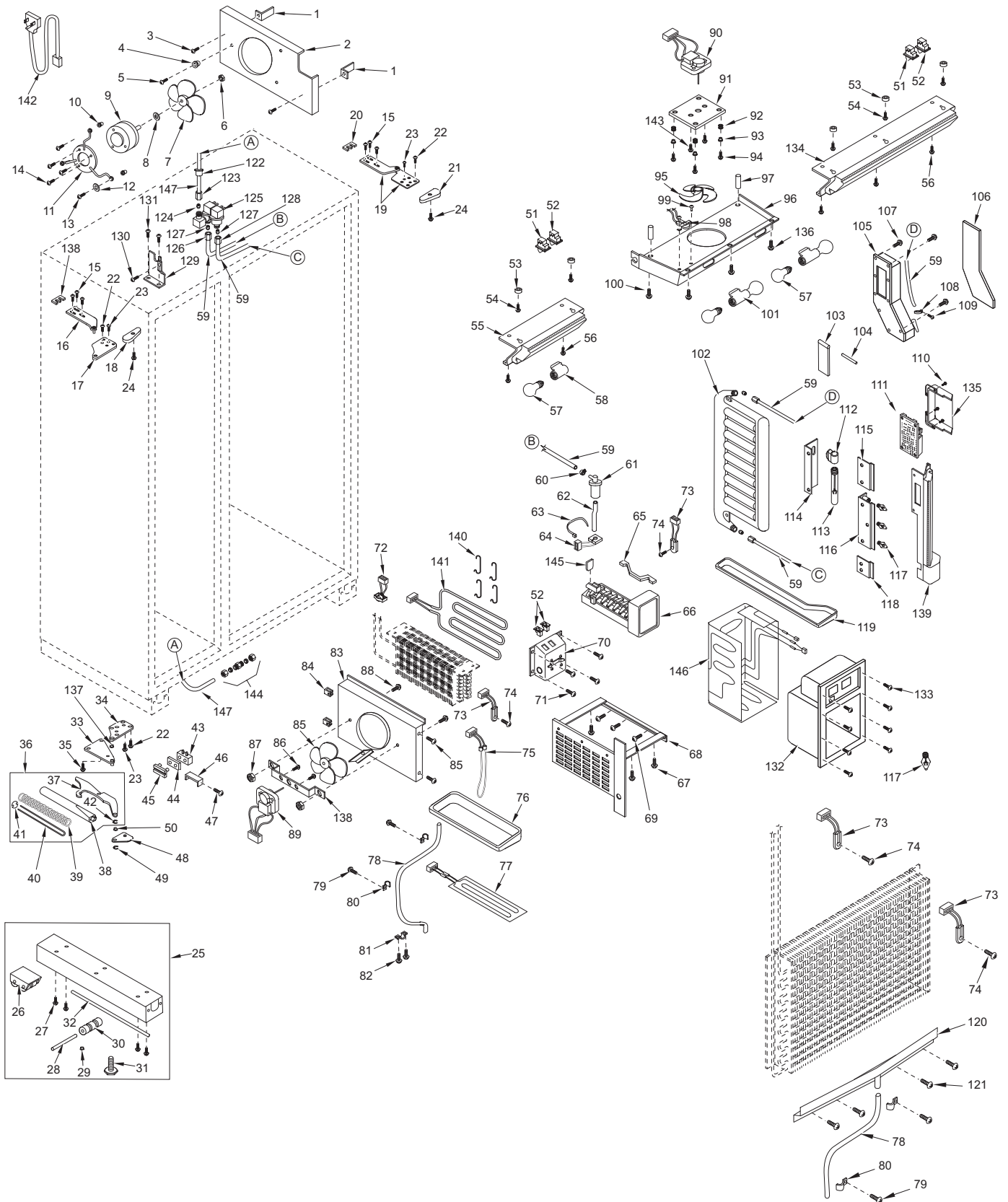




690 MECHANICAL PARTS LIST (2 of 2)

Ref #	Part #	Description	Ref #	Part #	Description
(CONTINUED FROM PAGE 8-88)					
101	3050180	Light Socket, Double (See SN Breaks)	124	3520390	Compression Fitting
	3050250	Sckt, Light M Base Dbl (See SN Breaks)	125	3090280	Dual Water Valve
102	4181710	Water Resrvr Tank Assy (Incl water lines)	126	3520380	Compression Nut
103	3515940	Mullion Chute Door	127	3520050	Brass Insert, Solenoid
104	3421360	Chute Door Rod	128	3520390	Compression Fitting
105	4181230	Ice Chute/Water Nozzle Assembly	129	0167830	Solenoid Bracket
106	3411530	Ice Chute Cover	130	6200060	Screw, #8-32 x 1/2" Pan HD
107	6201270	Screw, #8-18 x 5/8" PH PN SS-Gnd	131	6201270	Screw, #8-18 x 5/8" PH PN SS-Gnd
108	6120120	Tube Clamp, 3/8" Stl w/nut	132	4200960	Door Dispenser Assembly
109	6200330	Screw, #8-18 x 3/8" Pan Head	133	6200850	Screw, #8 x 3/4" PH FH Hi-lo
110	6201270	Screw, #8-18 x 5/8" PH PN SS-Gnd	134	4160941	Ref. Front Panel Assy (See SN Breaks)
111	4202810	Cntrl Brd Pkg-Dual/Disp (See SN Breaks)		4161841	Ref. Front Panel Assy (See SN Breaks)
	4203530	Cntrl Brd Pkg-Dual/Disp(See SN Breaks)	135	3413380	Control Enclosure (See SN Breaks)
112	3050010	Light Socket, 3/4 Single (See SN Breaks)		3413810	Control Enclosure (See SN Breaks)
	3050220	Socket, Light Base Sngl (See SN Breaks)	136	6201270	Screw, #8-18 x 5/8" PH PN SS-Gnd
113	3030040	Light Bulb, Long/Narrow; 40 watt	137	3421270	Hinge Bearing, 3/8" x 5/8"
114	0169910	Bracket, Display Light (See SN Breaks)	138	0232770	Fan Bracket, Freezer (See SN Breaks)
	0212790	Bracket, Display Light (See SN Breaks)		0234360	Fan Bracket, Freezer (See SN Breaks)
115	0212270	Control Panel Retainer, Upper	139	4160932	Vertical Cntrl Pnl Assy (See SN Breaks)
116	0212280	Control Panel Retainer, Mid		4161462	Vertical Cntrl Pnl Assy (See SN Breaks)
117	3030070	Light Bulb, 7W	140	1801100	Heater Clip
118	0212290	Control Panel Retainer, Lower	141	4323190	Defrost Heater Assy (See SN Breaks)
119	0212410	Mullion Trough		4324500	Defrost Heater Assy (See SN Breaks)
120	4190160	Drain Trough Assembly (See SN Breaks)	142	4321820	Power Cord
	0260550	Drain Trough Assembly (See SN Breaks)	143	6110270	Bolt, #10-32 x 1/4" RD HD
121	6201270	Screw, #8-18 x 5/8" PH PN SS-Gnd	144	3520250	Water Inlet Fitting Assy
122	3024010	Heat Shrink Spray Cvr (Also order 6120180)	145	3140360	Fill Cup Plug
123	3520390	Compression Fitting	146	4323180	Glass Well Heater (See SN Breaks)
				4324680	Glass Well Heater (See SN Breaks)
			147	2604165	Water Inlet Line, Copper

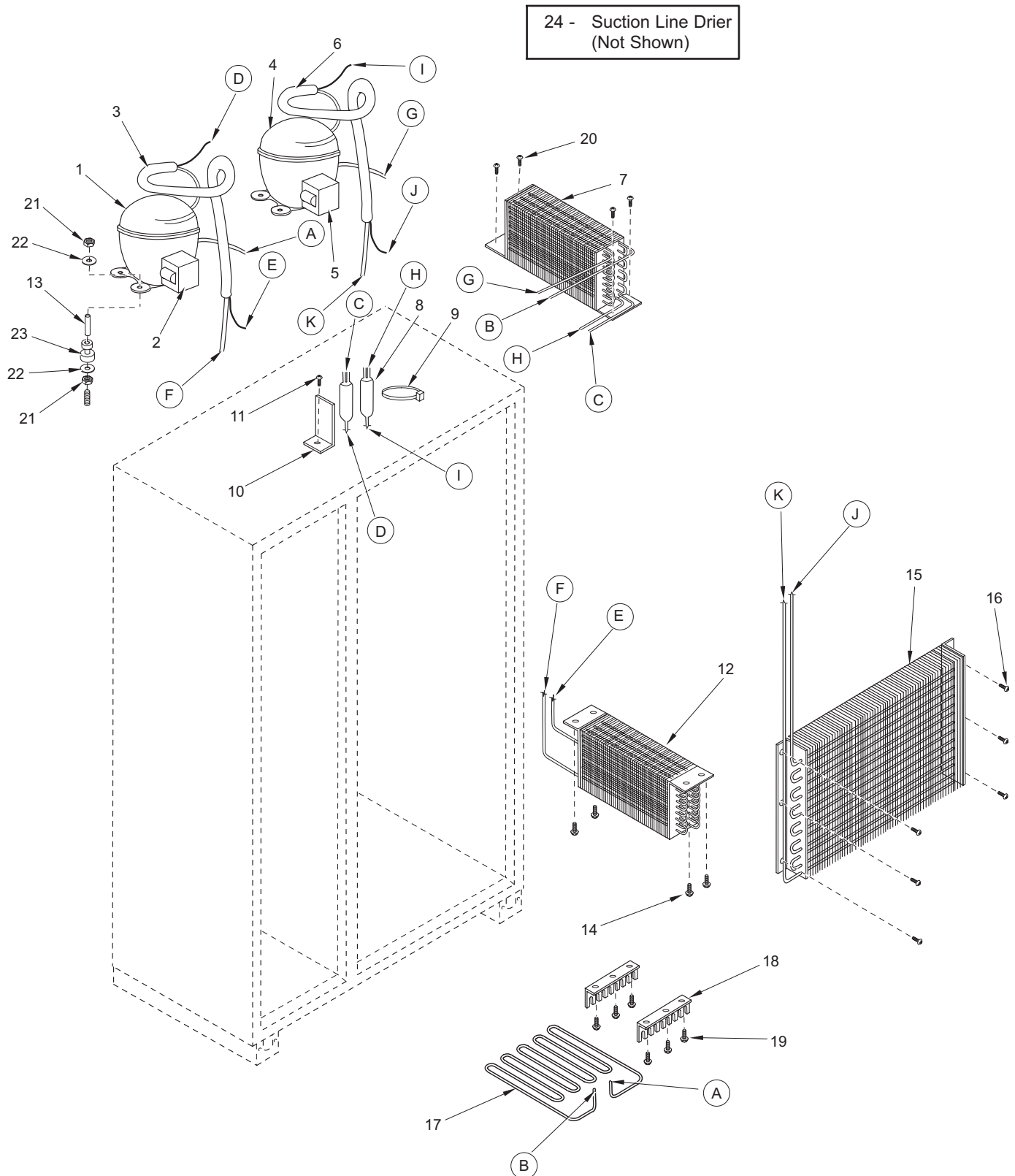
690 MECHANICAL VIEW (2 of 2)



690 SEALED SYSTEM PARTS LIST

<u>Ref #</u>	<u>Part #</u>	<u>Description</u>
1	4202250	Compressor, Freezer (DA73) (See SN Breaks)
	4202280	Compressor, Freezer (EMI60HER) (See SN Breaks)
2	3111041	Relay, (PTH490D-AS100) (Used with DA73 Compressor)
	3111460	Relay, (1351408) (Used with EMI60HER Compressor)
	3111430	Overload, (4TM419MFB) (Used with DA73 Compressor)
	3111470	Overload, (4TM757NFB) (Used with EMI60HER Compressor)
	3111070	Running Capacitor, (12Mf) (Used with DA73 Compressor)
3	4251340	Heat Exchanger, Freezer
4	4201880	Compressor, Refrig. (EMI30HER)
5	3111370	Relay, (1351400 - For EMI30HER Comp)
	3111410	Overload, (4TM734LFB - For EMI30HER Comp)
6	4251300	Heat Exchanger, Refrigerator
7	3120330	Condenser, Dual
8	3014230	Filter-Drier, High Side
9	6120170	Locking Cable Tie, Red, 11-1/2"
10	0168040	Drier Bracket
11	6201270	Screw, #8-18 x 5/8" PH PN SS-Gnd
12	4211450	Fre Evap Assy (Incl heat exch. & electricals) (See SN Breaks)
	4211650	Fre Evap Assy (Incl heat exch. & electricals) (See SN Breaks)
13	6160030	Spacer, 5/16 x 7/16 x 5/8"
	6160070	Sleeve, 5/16 x 7/16 x 7/8"
14	6201270	Screw, #8-18 x 5/8" PH PN SS-Gnd
15	3130260	Evaporator, Refrig.
16	6201270	Screw, #8-18 x 5/8" PH PN SS-Gnd
17	2600138	Drain Pan Heater Loop
18	3421410	Drain Pan Heater Loop Support
19	6200010	Screw, #10-12 x 3/4" Pan HD
20	6200010	Screw, #10-12 x 3/4" Pan HD
21	6150220	Nut, 5/16-18 Hex Zinc
22	6240050	Flat Washer, 5/16"
23	3150010	Rubber Grommet, Small, 5/8"
	3150170	Rubber Grommet, Large, 15/16"
24	3014100	Suction Line Drier (Service Only)

690 SEALED SYSTEM VIEW



ICEMAKER PARTS LIST

<u>Ref #</u>	<u>Part #</u>	<u>Description</u>
1	4200521	Icemaker Assembly, Complete - (Models 601F, 632, 642)
	4200522	Icemaker Assembly, Complete - (Models 611, 650, 680, 690)
2	75107431	Ice Ejector
3	75142606	Bearing/Inlet - (Models 601F, 632, 642)
	75107414	Bearing/Inlet - (Models 611, 650, 680, 690)
4	75107417	Mold Body Assy. (Includes Mold Heater)
5	75107448	Screw
6	75142604	Ice Level Arm, Short - (Models 601F, 632, 642)
	75142605	Ice Level Arm, Long - (Models 611, 650, 680, 690)
	3140330	Ice Level Arm / Rudder (<i>Not Shown</i>) - (Models 611, 650)
	3140400	Ice Level Arm / Rudder (<i>Not Shown</i>) - (Models 680, 690)
7	75107426	Bracket, Mounting
8	75129507	Ice Stripper
9	75107424	Harness, Wire
10	75107460	Screw
11	75107404	Drive Motor
12	75107446	Screw
13	75140588	Screw
14	75107405	Thermal Cut-out
15	75107442	Screw
16	75107408	Clamp
17	75107438	Plate, Mounting
18	75107452	Spacer
19	75107401	Switch
20	75107451	Screw
21	75056861	Thermostat
22	75107436	Cam
23	75107416	Support
24	75107419	Gear, Timing
25	75107443	Spring, Fill Adjust
26	75140586	Screw
27	75107459	Screw
28	75107453	Screw
29	75140589	Screw
30	75107457	Plate, Valve Switch
31	75107456	Insulator, Valve Switch
32	75107455	Screw
33	75107449	Screw
34	75107430	Lever Arm
35	75140584	Spring, Shut-off
36	75142601	Cover

ICEMAKER PARTS VIEW

