

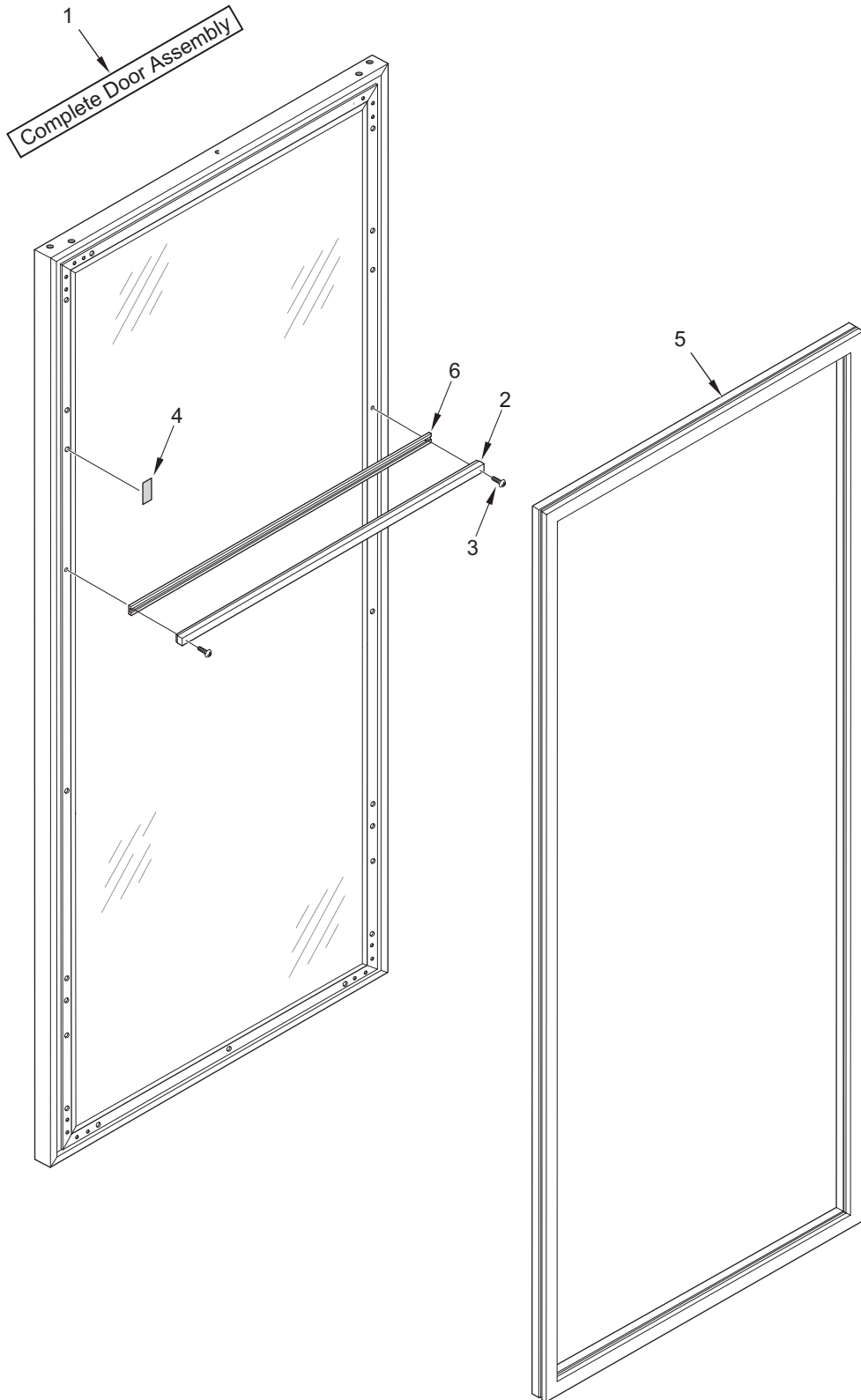


427-2 DOOR PARTS LIST

<u>Ref #</u>	<u>Part #</u>	<u>Description</u>
1.	4132743	Door Assy, Glass RH 427 Srvc
	4132744	Door Assy, Glass LH 427 Srvc
	4134381	Door Assy, HAG 427G RH
	4134382	Door Assy, HAG 427G LH
	4136490	Door Assy, Solid RH 427 Srvc
	4136491	Door Assy, Solid RH 427 Srvc
NOTE: Door Assy's do NOT include hinges, handle or switch depressor.		
2.	3212030	Seal, Center
3.	6201360	Screw, #4 x 3/4" PH PAN HD TYPE A
4.	6230970	Tape, Black Poly
5.	3211960	Gasket, Door
6.	2813201	Holder, Compression Gasket 24.4

NOTE: Door panels on this model are a Sales Accessory. For part numbers of complete door panel sets or components of the door panel sets, contact the factory.

427-2 DOOR VIEW

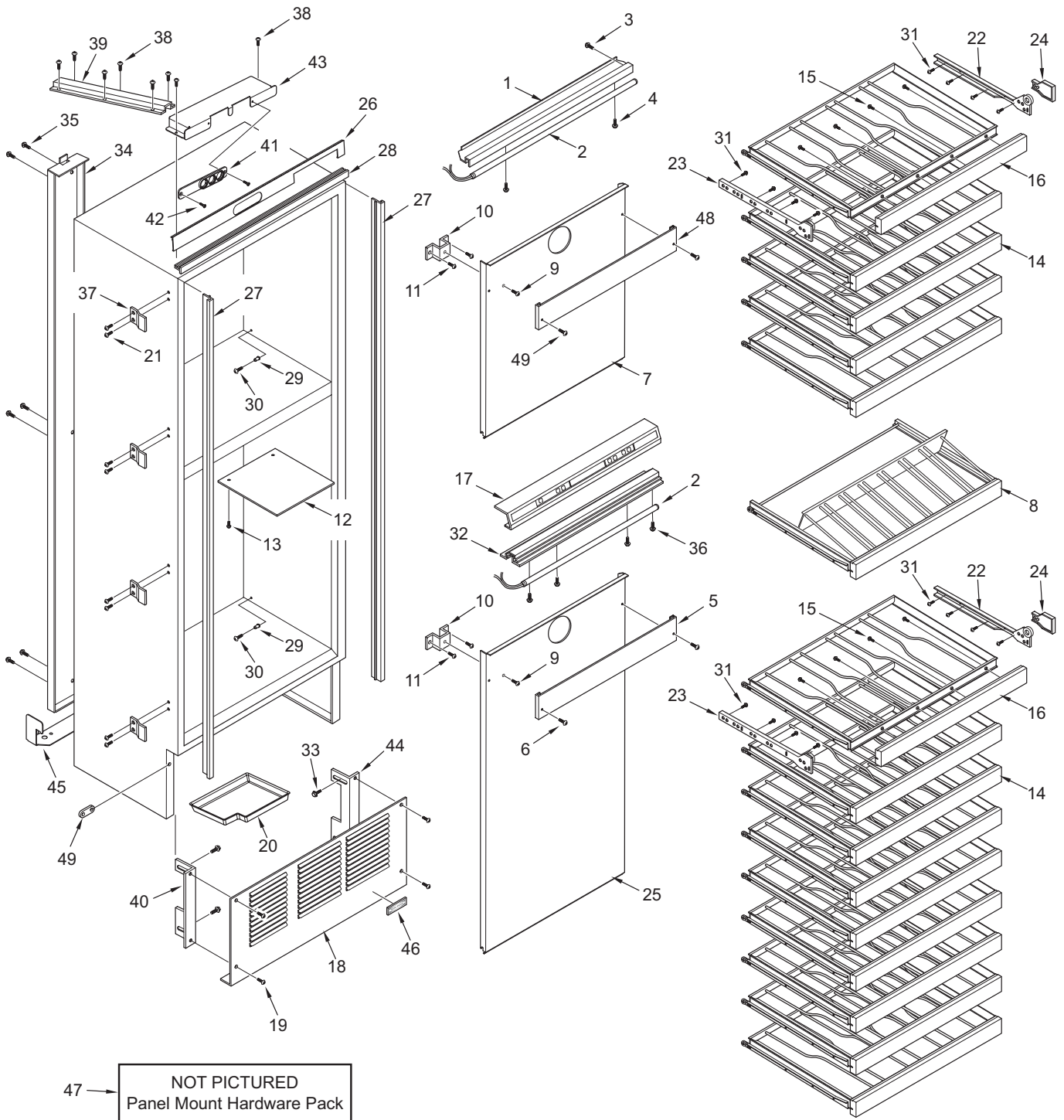


427-2 COSMETIC PARTS LIST

<u>Ref #</u>	<u>Part #</u>	<u>Description</u>	<u>Ref #</u>	<u>Part #</u>	<u>Description</u>
1.	3511680	Ext, Upr Light	26.	3516680	Top Molding RH, 427
2.	3030150	Strip, Light 15 Watt		3516690	Top Molding LH, 427
3.	6201270	Screw, #8-18 x 5/8" PH PN SS-Gnd	27.	3516010	Molding, Side
4.	6201310	Screw, #8 x 1-3/4" Flat PH HD	28.	4152070	Trim Assy, Top
5.	0212341	Cover, Evap Fan Srvc	29.	3520120	Brass Insert
6.	6201010	Screw, #8-15 x 2" Pan Head	30.	6200130	Screw, #8-18 x 3/4" Truss HD
7.	4281171	Cold Plate Assy, RH Upr Srvc	31.	6201230	Screw, #8 x 7/8" w/a #7 PH FT Head
	4281161	Cold Plate Assy, LH Upr Srvc	32.	3511710	Housing, Lwr Light
8.	4181770	Rack Assy, Display Wine	33.	6200780	Screw, #10-24 x 1/2" PH Hex Wash
9.	6201270	Screw, #8-18 x 5/8" PH PN SS-Gnd	34.	0169161	Duct, Back Service
10.	0169391	Bracket, Grounding Srvc	35.	6201240	Screw, #8X1-3/8" w/a #7 PH FT Hd
11.	6201270	Screw, #8-18 x 5/8" PH PN SS-Gnd	36.	6201270	Screw, #8-18 x 5/8" PH PN SS-Gnd
12.	4152220	Panel Assy, Srvc Access	37.	3421510	Bracket, Ref to Cab
13.	6200720	Screw, #8-18 x 1/2 PH Truss HD	38.	6200010	Screw, #10-12 x 3/4" Pan HD
14.	4181730	Wine Rack Assy, Short	39.	0169291	Raceway, Wire Srvc
15.	6201420	Screw	40.	0169401	Bracket, Kickplate 427 Srvc
16.	3516530	Molding, Wood Wine Rack	41.	3450980	Bracket, Switch Mount
17.	4203110	Ctrl Panel Assy, Service 427	42.	6200210	Screw, #8-32 x 1/2" Flat Head
18.	3560020	Grille, Kickplate RH	43.	0261711	Box, Switch RH Srvc
	3560030	Grille, Kickplate LH		0261721	Box, Switch LH Srvc
19.	6200050	Screw, #10-12 x 1/2" Pan HD	44.	0169401	Bracket, Kickplate 427 Srvc
20.	0168880	Pan, Drain	45.	0167551	Bracket, Anti Tip 27" Unit Srvc
21.	6200720	Screw, #8-18 x 1/2 PH Truss HD	46.	3580170	Nameplate
22.	3413551	Slide, Cabinet RH	47.	6201430	Hardware Pack, Panel Mount
23.	3413552	Slide, Cabinet LH	48.	0213421	Diffuser, Fan Evap 427 Srvc
24.	3421830	Slide Spacer	49.	6202010	Screw, #6-32X1/2 PH PAN HD S
25.	4281181	Cold Plate Assy, RH Lwr Srvc			
	4281191	Cold Plate Assy, LH Lwr Srvc			



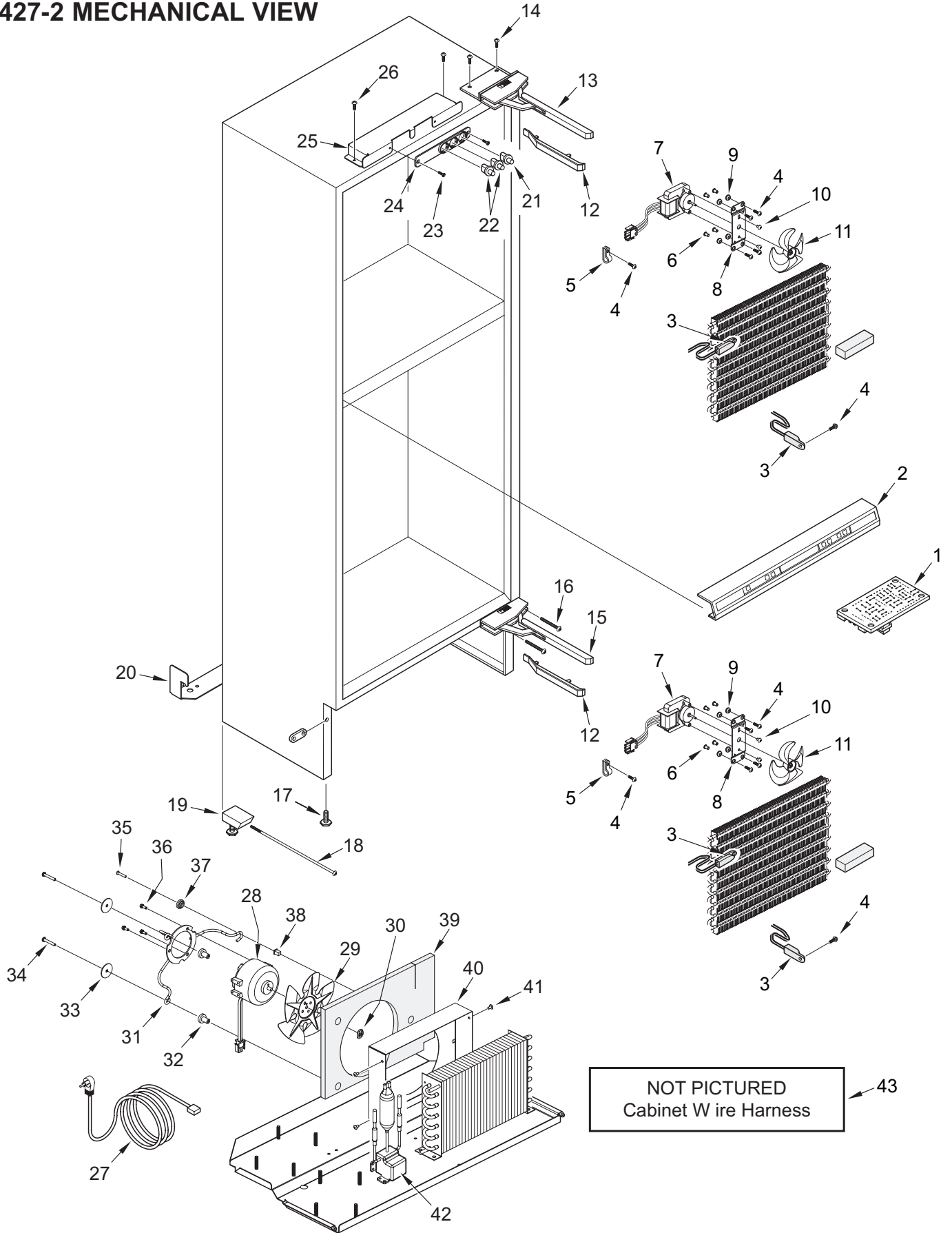
427-2 COSMETIC VIEW



427-2 MECHANICAL PARTS LIST

<u>Ref #</u>	<u>Part #</u>	<u>Description</u>	<u>Ref #</u>	<u>Part #</u>	<u>Description</u>
1.	4204170	Cntrl Board, Service 400	22.	3060020	Switch, Fan N/O (2)
2.	4203110	Ctrl Panel Assy, Service 427	23.	6200210	Screw, #8-32 x 1/2" Flat Head
3.	4204150	Thermistor, Asm Srvc Pkg	24.	3450980	Bracket, Switch Mount
4.	6201270	Screw, #8-18 x 5/8" PH PN SS-Gnd	25.	0261711	Box, Switch RH Srvc
5.	6120030	Tube Clamp, Plastic 1/4"		0261721	Box, Switch LH Srvc
6.	3520120	Brass Insert, Fan Bracket	26.	6200010	Screw, #10-12 x 3/4" Pan HD
7.	4220801	Motor Assy, Evap Fan (Incl Brkt & Blade)	27.	3025570	Retractor Assy, Power Cord
8.	0212330	Bracket, Evap Fan Motor	28.	4200740	Motor Pkg, Cond Fan (Blade & Bracket NOT included)
9.	3220250	Grommet, Rubber-#M5351	29.	3150660	Blade, Fan Cond
10.	6110270	Bolt, #10-32 x 1/4" RD HD	30.	6150410	Nut, 1/4-20
11.	3150640	Fan blade, Evaporator	31.	3150670	Bracket, Cond Fan Wine
12.	3541050	Hinge Cover	32.	6150330	Wellnut, #110-32 .75D X .804
13.	3541031	Hinge Assy, Top RH (Bot on LH Units)	33.	6240350	Washer, Fender .22 X 1.25 X .06
	3541032	Hinge Assy, Top LH (Bot on RH Units)	34.	6201280	Screw, Machine #10-32 x 1-1/4" Lg
14.	6200780	Screw, #10-24 x 1/2" PH Hex Washer	35.	6200490	Screw, #8-32 x 3/8" Hex Slit T25
15.	3541031	Hinge Assy, Top RH (Bot on LH Units)	36.	6201580	Screw, #8-36 X 1/2 Nylon Patch
	3541032	Hinge Assy, Top LH (Bot on RH Units)	37.	3420670	Screw Spacer
16.	6201140	Screw, 1/4-20 x 1/2" Sems But HD	38.	6220220	Screw Grommet, 1/32 x 3/8" SQ
17.	3570060	Bolt, Leve ler 3/8-16X2-1/8	39.	3310400	Insul, Cond Fan Shroud
18.	3421500	Adjusting Rod	40.	0263041	Shroud, Cond Fan Srvc
19.	4202000	Rear Leveler Assembly	41.	6200140	Screw, #8-15 x 3/8" Truss HD
20.	0167551	Bracket, Anti Tip 27" Unit Srvc	42.	4290461	Valve Assy, Aweco Srvc
21.	3060030	Switch, Light N/C (1)	43.	3026140	Wire Harness, Cabinet 427 (Not Shown)

427-2 MECHANICAL VIEW



427-2 SEALED SYSTEM PARTS LIST

<u>Ref #</u>	<u>Part #</u>	<u>Description</u>
1.	4203230	Comp Pkg, Srvc Wine EMI30HER (Includes Valve Assembly)
	3111370	Relay, EMB 1351400 OR 213514008 (Used w/Service EMI30HER Comp)
	3111410	Overload, (4TM734LFB) (Used w/Service EMI30HER Comp)
2.	3112212	Electrical Assy, EMT30HSC Comp (Used w/Production EMT30HSC Comp)
3.	3112500	Capacitor, 12MF (Used w/Production EMT30HSC Comp)
4.	3112270	Term Cvr Spring, DC51C (Used w/Production EMT30HSC Comp)
5.	3150010	Rubber Grommet, Small, 5/8"
6.	6160030	Spacer, 5/16 x 7/16 x 5/8"
7.	6240050	Flat Washer, 5/16"
8.	6150220	Nut, 5/16-18 Hex Zinc
9.	3014100	Suction Line Drier (Service Only)
10.	4290461	Valve Assy, Aweco Srvc (Includes Drier)
11.	3130640	Evaporator, Ref
12.	6201270	Screw, #8-18 x 5/8" PH PN SS-Gnd
13.	4251810	Heat Exch, Ref
14.	3130640	Evaporator, Ref
15.	6201330	Screw, #8 PH-Pan Head 1"
16.	4251810	Heat Exch, Ref
17.	3120360	Condenser, 427w
18.	6231490	Tape, Foam XLPE

427-2 SEALED SYSTEM VIEW

